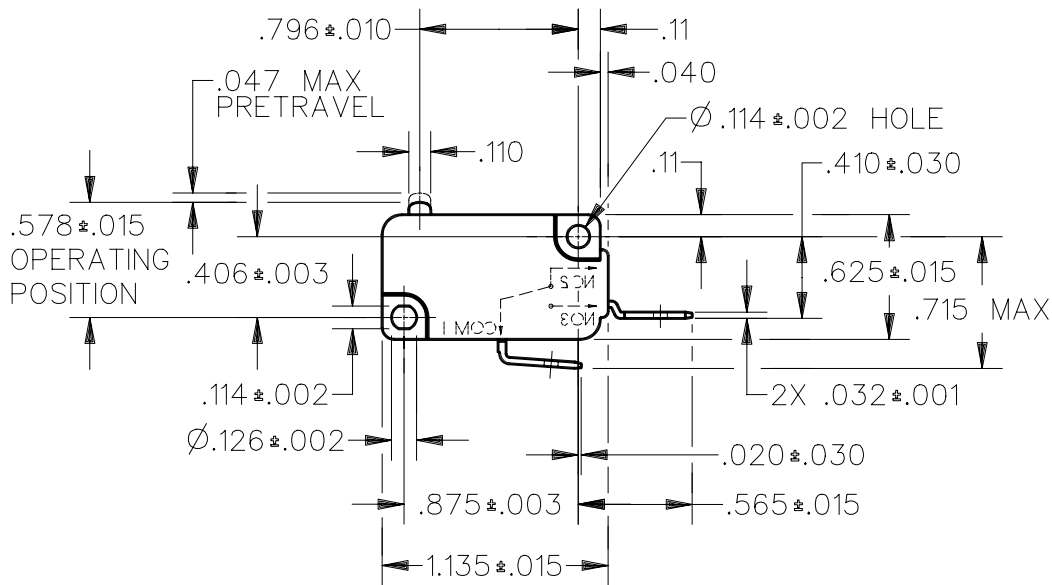
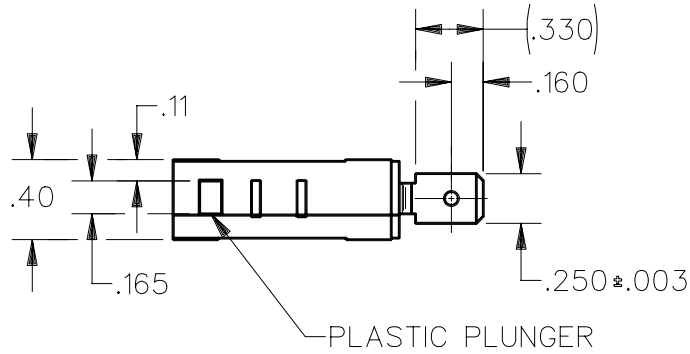


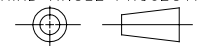
CATALOG LISTING  
**V7-5F27E9**  
 PAGE 1 OF 1  
**M**  
 ISSUE 1  
 REVISIONS  
 DDM/CAD  
 DRAWN  
 10 AUG 95  
 CHECK  
 DCS  
 RELEASE NO. PR-21798  
 REPLACES X99850-V7



ANSI Y14.5M-1982 APPLIES

THIS DRAWING COVERS A PROPRIETARY ITEM AND IS THE PROPERTY OF MICRO SWITCH, A DIVISION OF HONEYWELL. THIS DRAWING IS NOT TO BE COPIED OR USED WITHOUT THE APPROVAL OF MICRO SWITCH.

THIRD ANGLE PROJECTION



CHARACTERISTICS

OPERATING FORCE — — — 8-18 GRAMS  
 DIFFERENTIAL TRAVEL — — — .002-.010  
 OVERTRAVEL — — — — .050 MIN  
 FREE POSITION — — — — .625 MAX  
 RELEASE TRAVEL — — — — .010 MIN

ELECTRICAL DATA

CONTACT ARRANGEMENT  
 S P N O

L163 3A 125, 250, 277 VAC  
 1/10HP 250 VAC

SCALE FULL

DO NOT SCALE PRINT

UNLESS OTHERWISE SPECIFIED TOLERANCES ARE		
ONE PLACE (.0)	±.030	
TWO PLACE (.00)	±.015	
THREE PLACE (.000)	±.005	
ANGLES	±	

WEIGHT

