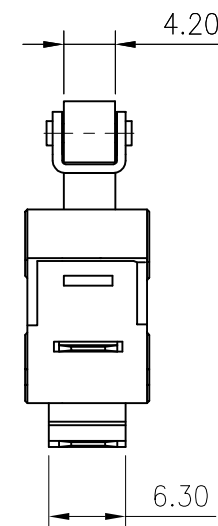
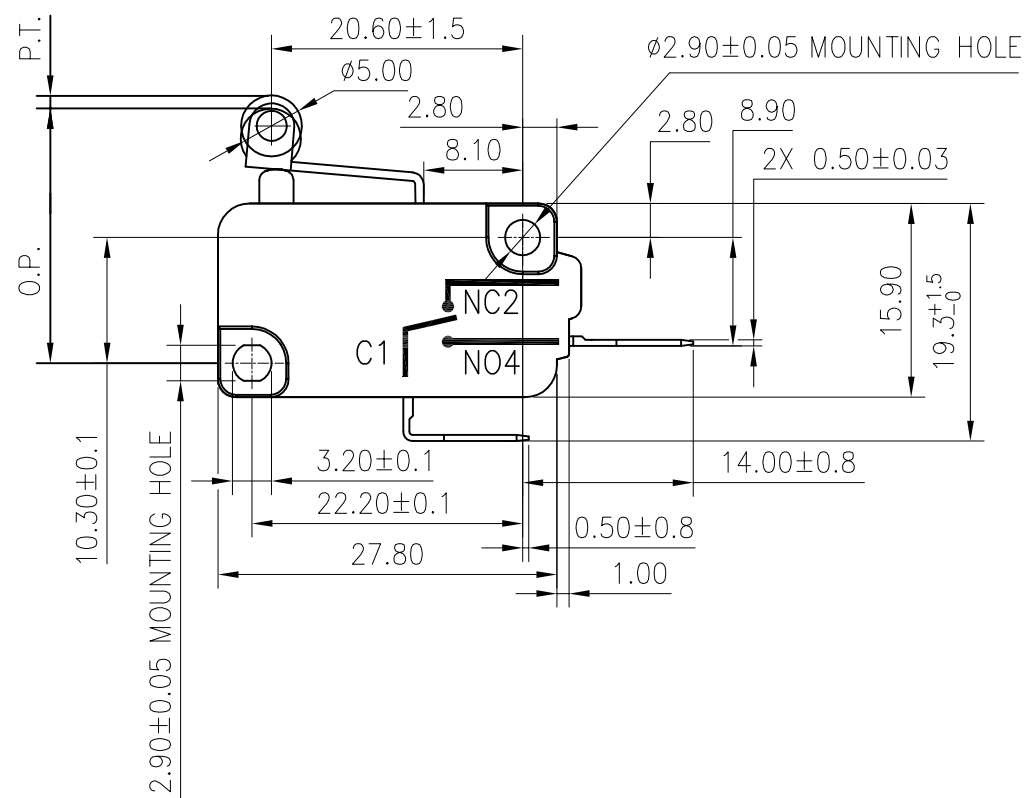
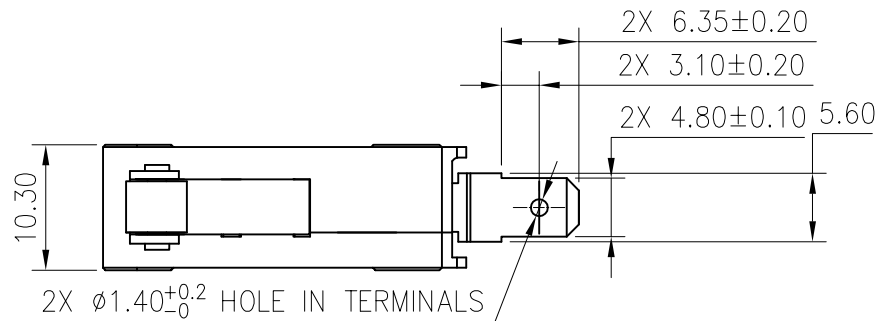


HONEYWELL PART NUMBER
<b>V15H16-EP100A05-K</b>
PRODUCT CODE CWF2022

REV	DOCUMENT	CHANGED BY	CHECK
B	0039823	KVS 15MAY08	ASD



NOTES:

1. TERMINALS WILL ACCEPT 4.8mm WIDE QUICK CONNECT RECEPTACLES AND COMPLY WITH EN61058-1 REQUIREMENTS.

CHARACTERISTICS	
OPERATING FORCE:	120gf MAX.
DIFFERENTIAL FORCE:	
RELEASE FORCE:	20gf MIN.
FREE POSITION:	
OPERATING POSITION:	20.6±0.8MM.
PRE-TRAVEL:	1.6MM MAX.
DIFFERENTIAL TRAVEL:	0.4MM MAX.
OVER-TRAVEL:	0.8MM MIN.
FULL OVERTRAVEL FORCE:	

ELECTRICAL DATA	
CONTACT ARRANGEMENT S.P.N.O	
	16(4)A 250V~
	25T150 µ 5E4
	16A 1/2HP 125/250VAC

DESIGN UNITS: MM	
TOLERANCES UNLESS NOTED:	
NO PLACE	X ±
ONE PLACE	.X ±
TWO PLACE	.XX ±0.40
THREE PLACE	.XXX ±
ANGLES	X ± 2°
THIRD ANGLE PROJECTION	

DRAWN	KSR	03DEC07
CHECK	RJ	03DEC07
THIS DRAWING COVERS A PROPRIETARY ITEM AND IS THE PROPERTY OF HONEYWELL. THIS DRAWING IS NOT TO BE COPIED OR USED WITHOUT THE PERMISSION OF HONEYWELL.		
INTERPRET PER ASME Y14.5M-1994 OTHER HONEYWELL ENGINEERING STANDARDS MAY APPLY		
AutoCAD		

<b>Honeywell</b>				
TITLE <b>SWITCH - BASIC</b>				
SIZE	TYPE	CAGE CODE	DRAWING NAME	REV
B	I		V15H16-EP100A05-K	B
SCALE			SHEET	1 OF 1