

**SPECIFICATIONS**

**Material:** HEXSEALS: Silicone rubber conforms to A-A-59588 Class III, GR 50 (unless otherwise specified)

**Mounting Nut:** HEXSEALS: Brass, nickel-plated

**Temperature Range:** HEXSEALS: -94°F to +400°F

**Pressure Range:** Exceeds 15 psi internal and 1500 psi external.  
(N5032B: 10 psi)

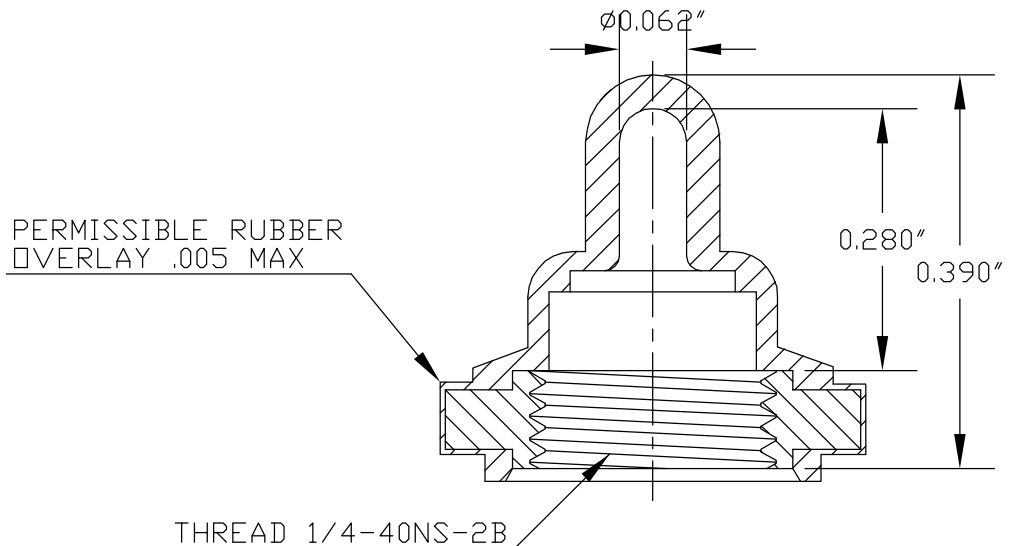
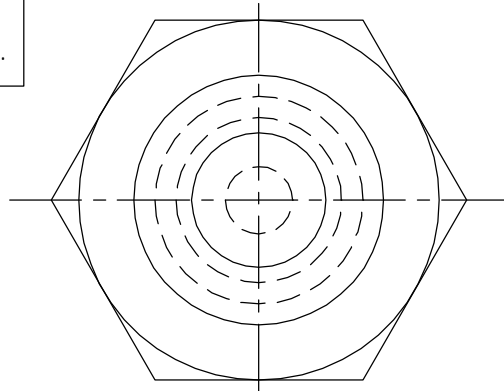
**Operational Life:** 50,000 actuations (minimum).

**Shelf Life:** Excess of 25 years.

**Resistant to:** Salt spray, sunlight, ozone, weather, fungus, and most acids and lubricating oils

**Agency Recognition:** E-SEELS and HEXSEALS are UL-listed to UL Std. 50 types 1-13, and meet CSA standards.

**Installation:** If a reducing adaptor is required - see page 14 of HEXSEAL catalog HEX200 for part numbers and drawing.



C	MAT'L CHANGED and REDRAWN	S. GOK	06.18.09	
B	CAD COMPUTER GENERATED		09.19.02	
A	MODIFIED	R.C.	11.16.74	
REV.	DESCRIPTION		DATE	
MAXIMUM AND MINIMUM MEASUREMENTS ARE STATED DIRECTLY ON EACH DIMENSION.	APM-HEXSEAL CORPORATION (N-5030R) TOTALLY ENCLOSING (N-5030R)	ENG.	S. GOK	06.18.09
		DWN.	S. ANDREWS	12.09.59
		CHKD.	J. CELLA	06.18.09
MAT'L: SILICONE RUBBER PER A-A-59588 CLIII GR50	APM-HEXSEAL CORPORATION	SCALE	(N-5030R)	
FINISH: GRAY		5 : 1	HEXSEAL®	

THIS DRAWING COVERS PROPRIETARY ITEM AND IS THE PROPERTY OF THE APM-HEXSEAL CORPORATION.  
THIS DRAWING IS NOT TO BE COPIED OR USED WITHOUT THE WRITTEN APPROVAL OF AN OFFICER OF THE APM-HEXSEAL CORPORATION.