

5

4

3

2

1

受控 CONTROLLED DOCUMENT

编号 P/N	CP882-CUST	版本 Rev	01	日期 Rel'd Date	Apr29,09
-----------	------------	-----------	----	------------------	----------

Description: Straight BNC Crimp Plug For RG59,RG62 Style Cable
 Part No: CP882
 Application: For RG59,RG62 Cable
 Crimp Tool: 24-9859P
 Impedance: 50 Ohms
 Frequency Range: 0-4 GHz
 Material: Body: Brass Nickel plated
 Contact: Brass Gold plated
 Insulator: TPX
 Crimp Sleeve: Brass Nickel plated
 Coupling Nut: Zinc Nickel plated
 RoHS Compliance: Yes
 Technical Detail: Refer to Emerson Document P/N 27-0000



DRAWING NO.
CP882-CUST

REVISIONS

01	OFFICIAL RELEASE			
	02-20-09	J W	B Y	T Thomas Chow

D

D

C

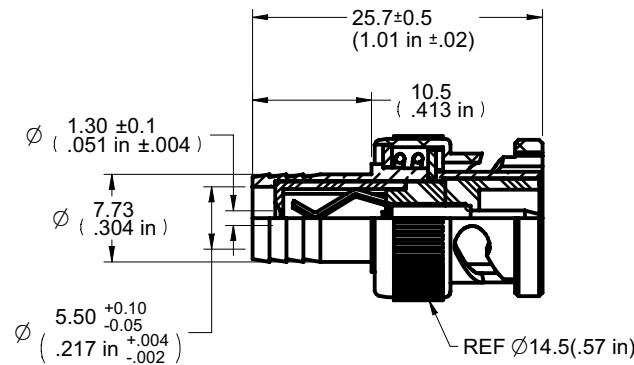
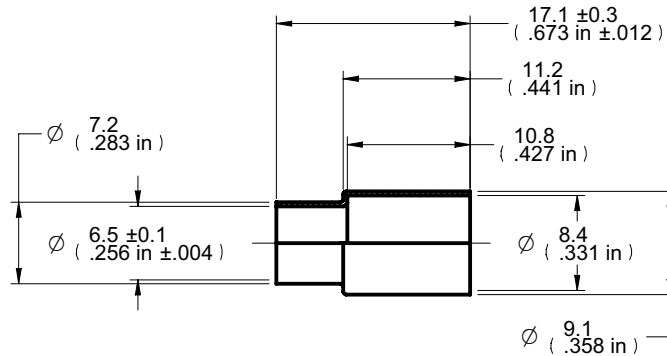
C

B

B

A

A



DIM OUTLINE

CUSTOMER COPY

TOLERANCE UNLESS OTHERWISE SPECIFIED		DRAWN BY IVON.W	DATE 02-20-09
DECIMALS	mm	CHECKED BY BETTY.YU	DATE 02-20-09
X	± 0.5	APPROVED BY TOHMAS	DATE 02-20-09
X.X	± 0.3	U/M	mm
X.XX	± 0.1		
ANGLES	± 0.5°		

		Connectivity Solutions	
		TITLE STRAIGHT BNC CRIMP PLUG FOR RG59,RG62 STYLE CABLE	
SHEET 1 OF 1	DRAWING NO. CP882-CUST	SIZE A	

THIS DRAWING WAS PRODUCED BY COMPUTER, DO NOT SCALE DRAWING OR UPDATE MANUALLY.

5

4

3

2

1