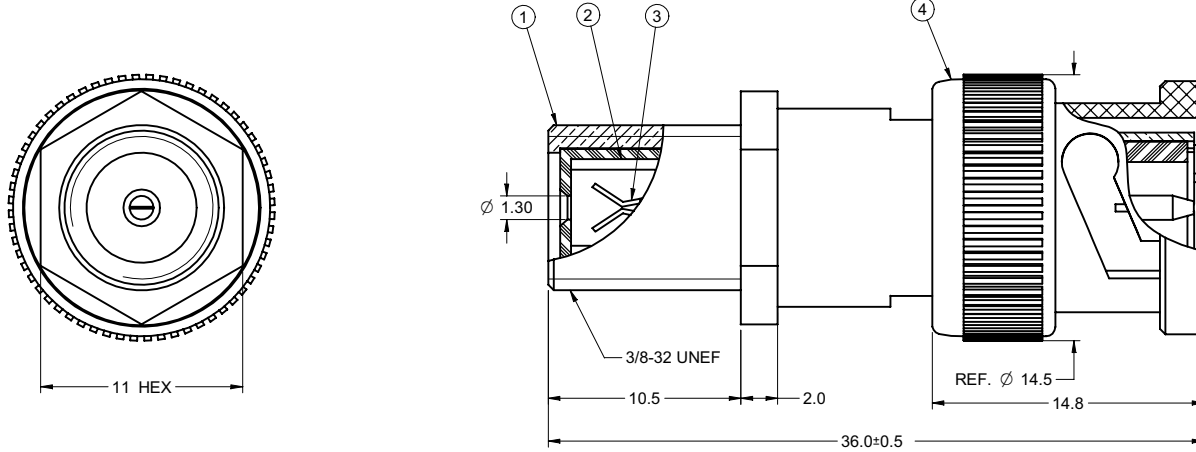


PART NUMBER	ITEM ① BODY	ITEM ② INSULATOR	ITEM ③ CONTACT	ITEM ④ NUT
25-7500	BRASS NICKEL PLATED	DELRIN	BERYLLIUM NICKEL PLATED	ZINC NICKEL PLATED

受控 CONTROLLED DOCUMENT

编号 P/N	25-7500	版本 Rev	01	日期 Rel'd Date	May8,09
-----------	---------	-----------	----	------------------	---------

DRAWING NO. 25-7500	
REVISIONS	
01	OFFICIAL RELEASE 04-13-09
	Thomas Chow 2009/05/07 09:29:25



NOTES:

1. FREQUENCY RANGE: 0-750MHz
2. RECOMMENDED TEMPERATURE RANGE: -55 °C TO +85°C
3. BNC END TECHNICAL DETAIL: REFER TO EMERSON DOCUMENT P/N 27-0000
F END TECHNICAL DETAIL: REFER TO EMERSON DOCUMENT P/N 25-0000

THIS DRAWING TO BE INTERPRETED
PER ANSI Y 14.5M - 1994

COMPANY CONFIDENTIAL

TOLERANCE UNLESS OTHERWISE SPECIFIED		DRAWN BY GARY.ZHG	DATE 04-13-09
DECIMALS	mm	CHECKED BY BETTY.YU	DATE 04-13-09
X	± 0.3	APPROVED BY THOMAS	DATE 04-13-09
X.X	± 0.2		
X.XX	± 0.1		
ANGLES	± 0.5°	U/M	mm

EMERSON Network Power		Connectivity Solutions	
TITLE F FEMALE TO BNC MALE ADAPTOR			

THIS DRAWING WAS PRODUCED BY COMPUTER, DO NOT SCALE DRAWING OR UPDATE MANUALLY.		SHEET 1 OF 1	DRAWING NO. 25-7500	SIZE C
--	--	-----------------	------------------------	-----------