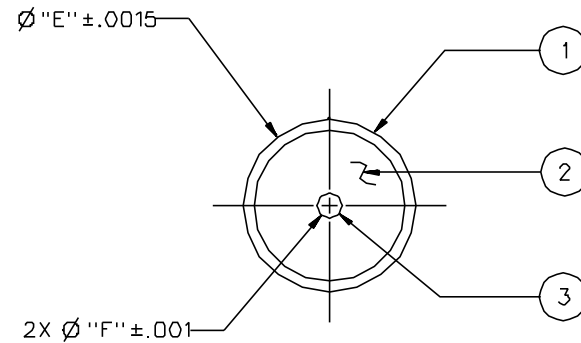
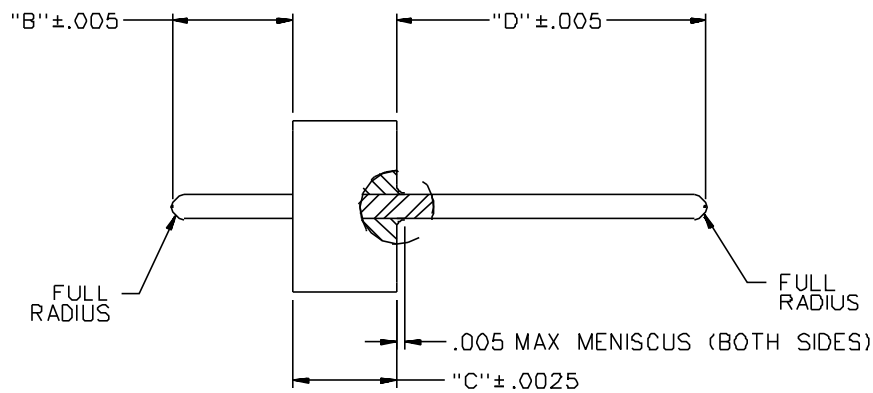


PART NUMBER	ITEM ① OUTER RING	ITEM ② INSULATOR	ITEM ③ PIN	"B"	"C"	"D"	"E"	"F"
142-1000-001	KOVAR GOLD PL .00005 MIN OVER NICKEL PL .000005 MIN	GLASS, CORNING 7052 OR EQUIVALENT	KOVAR GOLD PL .00005 MIN OVER NICKEL PL .000005 MIN	.070	.0625	.180	.0985	.012
142-1000-002	KOVAR GOLD PL .00005 MIN OVER NICKEL PL .000005 MIN	GLASS, CORNING 7070 OR EQUIVALENT	KOVAR GOLD PL .00005 MIN OVER NICKEL PL .000005 MIN	.072	.0625	.180	.0985	.015
142-1000-003	KOVAR GOLD PL .00005 MIN OVER NICKEL PL .000005 MIN	GLASS, CORNING 7070 OR EQUIVALENT	KOVAR GOLD PL .00005 MIN OVER NICKEL PL .000005 MIN	.072	.0600	.180	.1100	.018
142-1000-004	KOVAR GOLD PL .00005 MIN OVER NICKEL PL .000005 MIN	GLASS, CORNING 7052 OR EQUIVALENT	KOVAR GOLD PL .00005 MIN OVER NICKEL PL .000005 MIN	.070	.0600	.203	.1580	.020
142-1000-005	KOVAR GOLD PL .00005 MIN OVER NICKEL PL .000005 MIN	GLASS, CORNING 7070 OR EQUIVALENT	KOVAR GOLD PL .00005 MIN OVER NICKEL PL .000005 MIN	.097	.0600	.168	.1100	.018

DRAWING NO.	
B - 142-1000-001/010	
0	REVISIONS
ENGINEERING RELEASE	
I	4-17-95 R J R H K K B ECN 43400
ADDED: 142-1000-005	
***** * REVISION NUMBER FOLLOWED BY AN ALPHA * * CHARACTER INDICATES DRAWING CLARIFICATION OR PART NUMBER ADDITION ONLY * *****	
Ia	3-4-02 R J B 3-13-02 ECN 48283




NOTES:
1. SPECIFICATIONS:
ELECTRICAL:

IMPEDANCE: 50 OHMS NOMINAL
FREQUENCY RANGE: DC TO 26.5 GHZ
VSWR: DEPENDANT ON APPLICATION
WORKING VOLTAGE: 250 VRMS MAX AT SEA LEVEL
DIELECTRIC WITHSTANDING VOLTAGE: 500 VRMS AT SEA LEVEL
INSULATION RESISTANCE: 5000 MEGOHM MIN
INSERTION LOSS: .015 F MAX (F IN GHZ)

ENVIRONMENTAL:
HERMETICITY: 1×10^{-8} cc/sec AT ONE ATMOSPHERE
SOLDERABILITY: MIL-STD-202, METHOD 209
OPERATING TEMPERATURE: -55 DEG C TO +165 DEG C

CUSTOMER DRAWING
THIS DRAWING TO BE INTERPRETED
PER ANSII 14.5M - 1982
"μ STATION"
COMPANY CONFIDENTIAL

TOLERANCE UNLESS OTHERWISE SPECIFIED		DRAWN BY	DATE	 299 Johnson Ave. P.O. Box 1732 Waseca, MN 56093-0832
DECIMALS	mm	JRK	4-3-95	
.XX		CHECKED BY	DATE	TITLE
.XXX		JRK	4-17-95	
MATL		APPROVED BY	DATE	CODE NO.
		TAK	4-18-95	
FINISH		APPROVED BY	DATE	B - 142-1000-001/010
		RJB	4-19-95	SCALE NONE U/M INCH SHEET 2 OF 2
		RELEASE DATE	4-20-95	