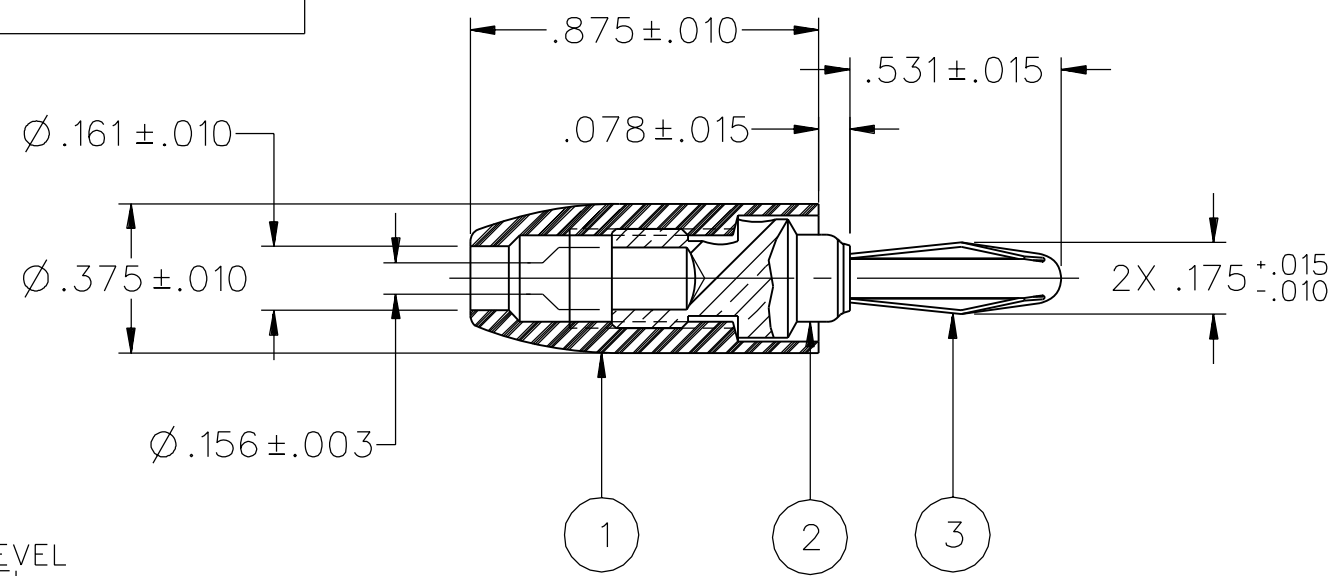


PART NUMBER	ITEM ① HANDLE	COLOR	ITEM ② BODY	ITEM ③ CONTACT SPRING
108-0301-001	NYLON	WHITE	BRASS NICKEL PL .0001 MIN	NICKEL SILVER NICKEL PL .0001 MIN
108-0302-001		RED		
108-0303-001		BLACK		
108-0304-001		GREEN		
108-0305-001				
108-0306-001		ORANGE		
108-0307-001		YELLOW		
108-0308-001		BROWN		
108-0309-001				
108-0310-001		BLUE		
108-0311-001				
108-0312-001		VIOLET		
108-0313-001		GRAY		
108-0314-001				
108-0315-001				
108-0316-001				
108-0317-001				
108-0318-001				
108-0319-001				
108-0320-001				

DRAWING NO. B-108-0301/0320-001							
0	REVISIONS						
ENGINEERING RELEASE							
12a	9-10-94	R H	S W C	T A K	R J B	P A H	9-23-94 ECN 42647
CHANGED: 15 LBS RETENTION FORCE WAS 25 LBS							
12b	10-22-96	R H	R J B	B A			ECN 44343
CHANGED: DIA .161+- .010 WAS DIA .161+- .005							
***** * REVISION NUMBER FOLLOWED BY AN ALPHA * * CHARACTER INDICATES DRAWING CLARIFI- * * CATION OR PART NUMBER ADDITION ONLY. * *****							
12c	11-4-99	R H	R J B				ECN 46830



NOTES:

1. SPECIFICATIONS:

ELECTRICAL:

CURRENT RATING: 15 AMPS DC MINIMUM  
DIELECTRIC WITHSTANDING VOLTAGE: 3500 VRMS MIN AT SEA LEVEL  
RECOMMENDED WORKING VOLTAGE: 1750 VRMS MAX AT SEA LEVEL  
INSULATION RESISTANCE: 5000 MEGOHMS MIN  
CONTACT RESISTANCE: 10 MILLIOHMS MAXIMUM

MECHANICAL:

INSERTION/WITHDRAWL FORCE: 1.0 - 12.0 POUNDS  
CONTACT SPRING RETENTION FORCE: 15 LBS MINIMUM  
WIRE ACCEPTABILITY: 16 AWG OR SMALLER  
WIRE ATTACHMENT: SOLDER OR SOLDERLESS, SCREW DOWN HANDLE  
MATING BANANA JACK DIAMETER: .166 NOMINAL  
DURABILITY: 1000 CYCLES MINIMUM

ENVIRONMENTAL:

(MEETS OR EXCEEDS THE APPLICABLE PARAGRAPH OF MIL-C-28901)  
OPERATING TEMPERATURE: -55 DEG C TO 85 DEG C.  
TEMPERATURE RISE AT RATED CURRENT: 10 DEG C MAXIMUM  
CORROSION: MIL-STD-1344, METHOD 1001, CONDITION B  
SHOCK: MIL-STD-1344, METHOD 2004, CONDITION G  
VIBRATION: MIL-STD-1344, METHOD 2005, CONDITION I  
HUMIDITY: MIL-STD-1344, METHOD 1002, CONDITION B

CUSTOMER DRAWING

THIS DRAWING TO BE INTERPRETED PER ASME Y 14.5M - 1994

"μSTATION"

COMPANY CONFIDENTIAL

TOLERANCE UNLESS OTHERWISE SPECIFIED		DRAWN BY	DATE
DECIMALS	mm	SWC	4-4-94
.XX	_____	CHECKED BY	DATE
.XXX	_____	TAK	9-19-94
MATL	_____	APPROVED BY	DATE
		RJB	9-20-94
FINISH	_____	RELEASE DATE	9-23-94
		U/M	INCH
		SCALE	2:1

		<b>Connectivity Solutions</b> P.O. Box 1732 Waseca, MN 56093 1-800-247-8256	
		TITLE ASSEMBLY, BANANA PLUG INSULATED HANDLE, ROUND BODY, SOLDER OR SOLDERLESS BACKHOLE	
SHEET	DRAWING NO.		
2 OF 2	B-108-0301/0320-001		