

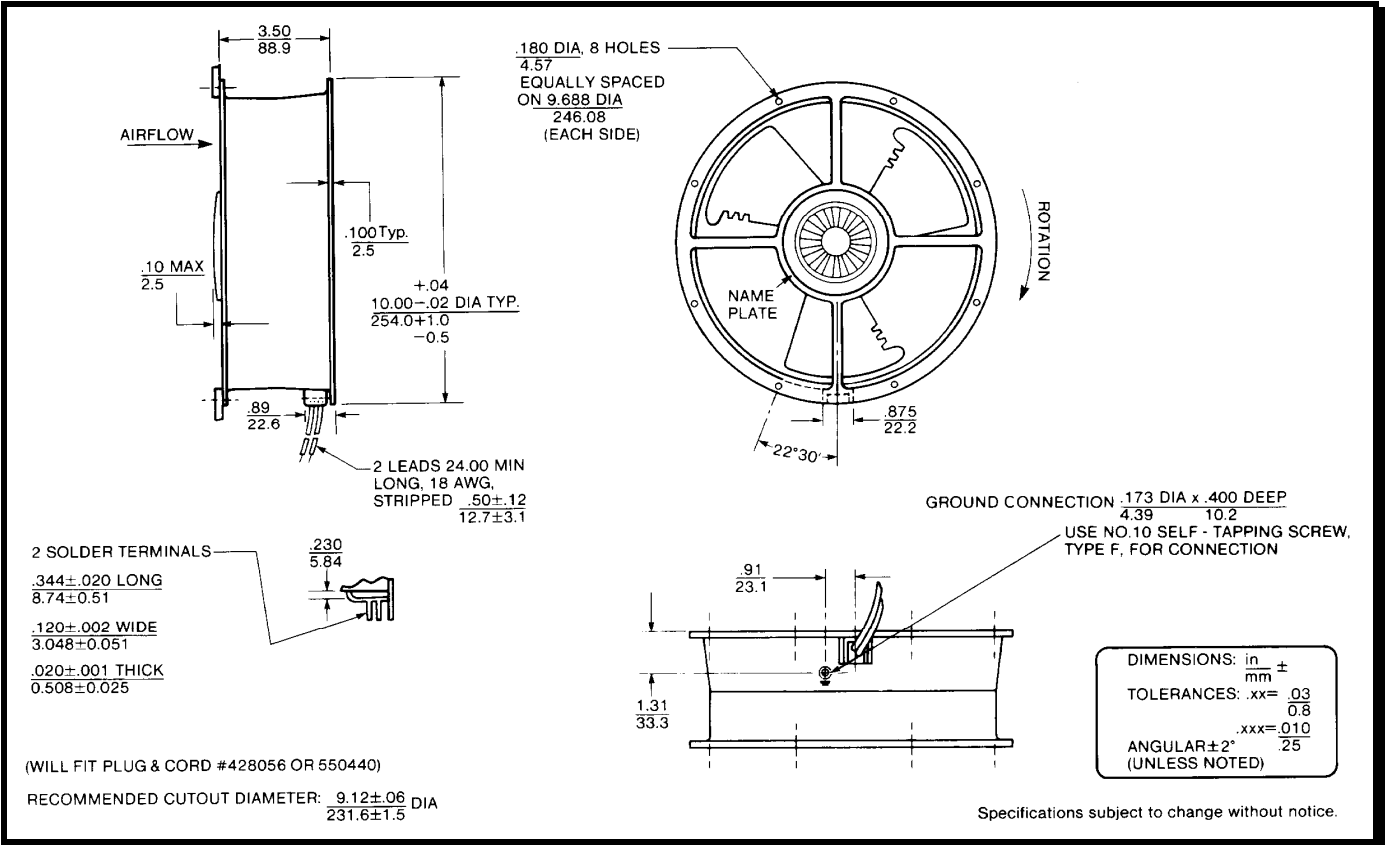
# SPECIFICATIONS

RoHS Compliant



**Model Number:** CLE2L2  
**Part Number:** 020188 SPEC NUMBER:26013881A00 December 5, 2005

## Mechanical Drawing:



### Motor:

Nominal Voltage = 115 VAC  
 Frequency = 50 / 60 Hz  
 Nominal Running Current = 0.48 / 0.50 Amps  
 Max. Locked Rotor Current = 0.70 amps  
 Running Power = 34 Watts  
 Average Speed = 1400 / 1650 RPM  
 Bearings = Ball  
 Air Flow = 455 / 550 CFM  
 Acoustic: = 45.2 / 49.2 dBA

### Construction:

Venturi: Aluminum, Black.  
 Propeller: Plastic, Black, UL 94V-0

### Life Expectancy:

This fan is designed for continuous duty life of 54,000 hours at 40°C.

### Additional Features:

Permanent Split Capacitor Motor  
 Automatic Reset Thermal Protector  
 Feathered Edge Propeller  
 Operating Temperature: -30°C to 60°C  
 Storage Temperature: -40°C to 85°C

### Termination:

24" Lead wires, 18 AWG, UL 1015

### Agency Approvals:

UL, CE