

MICRO SWITCH
a Honeywell Division

FED. MFG. CODE 91 929

SWITCH - BASIC

CATALOG LISTING

BZ-2RW825518-A2-S

APZ4064

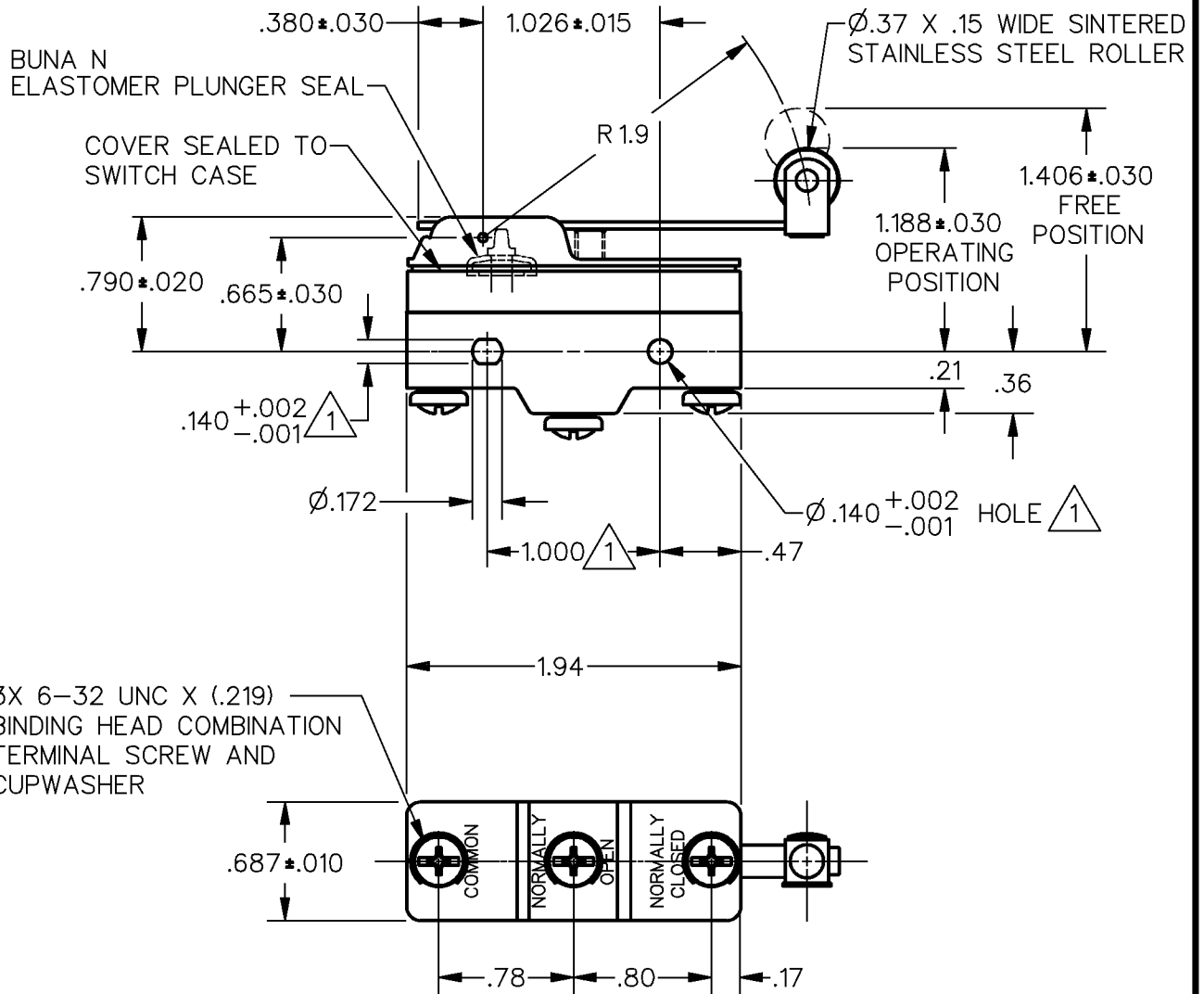
CATALOG LISTING
M
BZ-2RW825518-A2-S
PAGE 1 OF 1

ISSUE
4

REVISIONS	
A	CO-1 84382 MAM 16 MAY 97
B	CO93346 DLT 17 SEP 98
C	0017579 KRB 08DEC05

DDM/CAD
DRAWN
L J K
2 JAN 97
CHECK
MAM
7 JAN 97
CHECK
R J
08DEC05

X100879-BZ
REPLACES
PR-22526
RELEASE NO.

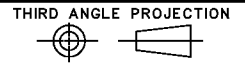


3X 6-32 UNC X (.219)
BINDING HEAD COMBINATION
TERMINAL SCREW AND
CUPWASHER

- NOTES**
- ① MOUNTING HOLES WILL ACCEPT PINS OR SCREWS OF $\varnothing .139$ MAX ON $1.000 \pm .002$ CENTERS
 - 2 - SEALED CONSTRUCTION PROVIDES SPLASH RESISTANCE

ANSI Y14.5M-1982 APPLIES

THIS DRAWING COVERS A PROPRIETARY ITEM AND IS THE PROPERTY OF MICRO SWITCH, A DIVISION OF HONEYWELL. THIS DRAWING IS NOT TO BE COPIED OR USED WITHOUT THE APPROVAL OF MICRO SWITCH.



CHARACTERISTICS	ELECTRICAL DATA	SCALE	FULL	DO NOT SCALE PRINT
		<p>UNLESS OTHERWISE SPECIFIED TOLERANCES ARE</p> <p>ONE PLACE (.0) ± .030</p> <p>TWO PLACE (.00) ± .015</p> <p>THREE PLACE (.000) ± .005</p> <p>ANGLES ±</p> <p>WEIGHT .079 LB</p>		
OPERATING FORCE --- 3 1/2 OZ MAX	CONTACT ARRANGEMENT S P D T			
RELEASE FORCE --- 3/4 OZ MIN	-L96- 15 A - 125, 250, OR 480 VAC 1/2 A - 125 VDC; 1/4 A - 250 VDC 1/8 HP - 125 VAC, 1/4 HP - 250 VAC			
DIFFERENTIAL TRAVEL --- .004-.040	-L288-			
OVERTRAVEL --- .156 MIN	-L315- -L306- 16A 250V ~ T85 5E4			