

Pad Cutters, Insertion Tools

Pad Cutters



P138A - Wooden Handle type



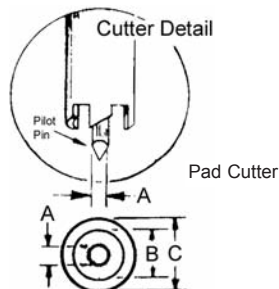
Shank Only
P138C



Shows pad removal
& pad cutter P116C

Tools

Vector Pad Cutters provide an effective method for creating isolated solder pads around holes in copper clad boards. Pilot pin enters hole and rotates, creating a clearance area around the solder pad. Available for boards with .062" or .042" diameter holes. Also available without handles for use with manual or power drills.



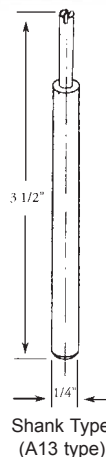
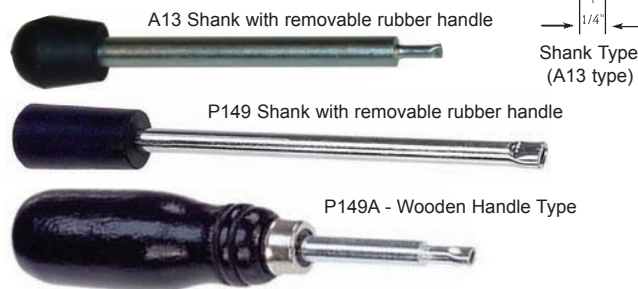
Part No.	Holder Type	A	B	C	Shank	Use with Vectorbord®
P116C	Handle/Shank	.055"	.188"	.250"	.250"	Pattern G, H .062" holes
P138A	Handle/Shank	.040"	.086"	.125"	.125"	Pattern P, .042: holes
P138C	Shank Only	.040"	.086"	.125"	.125"	Pattern P, .042: holes

Specification subject to change without notice

www.vectorelect.com

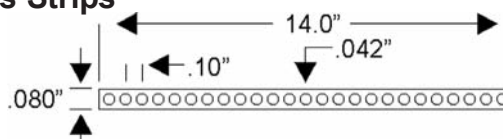
Hand Insertion Tools for Push-In Terminals

Part No	Terminal P/N	Holder Type
A13	T44	Shank with removable rubber handle
A13-1	T68	Shank with removable rubber handle
P91A	T28	Wooden Handle
P156	T49	Wooden Handle
P133A	T46 series & K24 - K31	Shank with removable rubber handle
P134	K36	Wooden Handle
P149A	T42-1	Wooden Handle
P149	T42-1	Shank with removable rubber handle



T107

Bus Strips



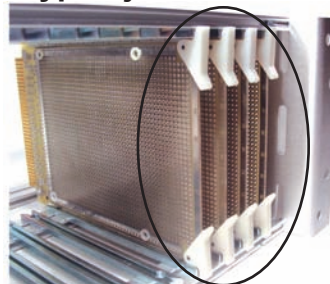
- Flat cold-drawn flat copper wire, 0.017" thick (+/-0.003")
- 0.080"W with 0.042" diameter holes on 0.100" centers
- Hot 100% Tin dipped, fully RoHS compliant
- Compatible with most Vectorbord® hole patterns



Part No.	Pkg Qty
T107/C	100
T107/10	10

HA9

Rotation Type Ejector Handle



- Dimensional information for HA9 is on Page 44
- Card ejector, corner mounting
 - Supports up to 40 lbs extraction force
 - White nylon, (hardware included)

Part No.	Pkg Qty
HA9/4	4
HA9/C	100

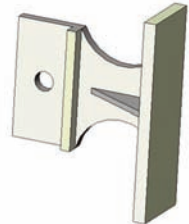
800-423-5659



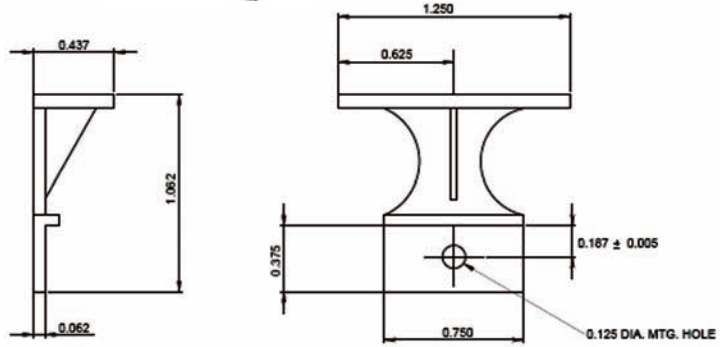
PCB Accessories

HA14

Pull Type Ejector Handle



- Extraction/insertion handles
- Mounts on front edge of Plugbord™ with single screw or roll-pin
- Plastic (FE4)



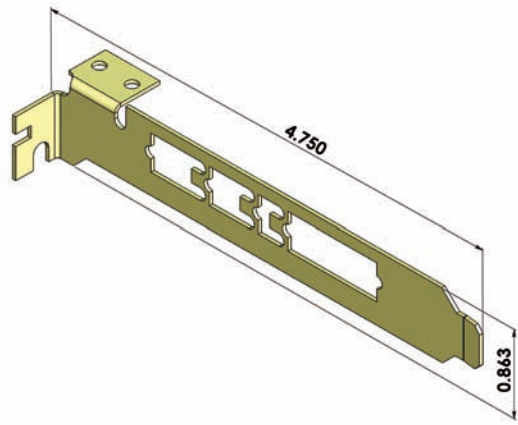
Part No.	Package Quantity
HA14	4
HA14/C	100



HD36B

Mounting Bracket Kit

Mounting Bracket Kit with hardware for IBM PC, AT & EISA P.C. boards
 Pattern has "knock out" cutouts for "D" subminiature connectors



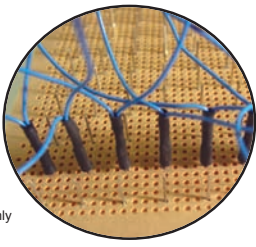
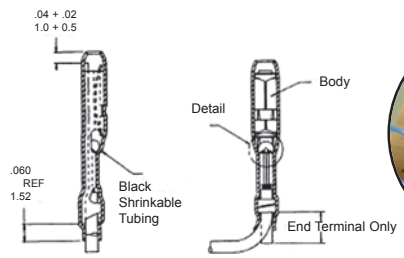
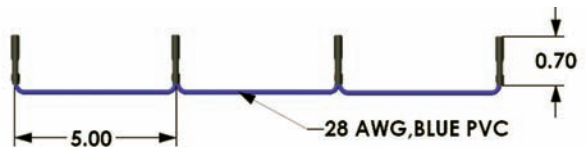
Part No.	Package Quantity
HD36B	1



T120-1

Slip-On Contacts

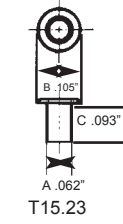
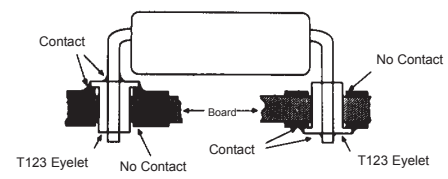
- Reels of slip-on contacts. 5" apart
- Slips onto .025" square posts
- 28 gage PVC insulated blue wire
- Temperature Range: -310 to 221°F (-190 to 105°C)



Part No.	Contact Description	Package Quantity
T120-1/50	installed on wire	Reel of 50
T120-1/250	installed on wire	Reel of 250

Eyelets T15.23, T123

- 2 versions provide hole size reduction
 T123 - reduces .055" dia. holes to .042"
- T123 eyelets are copper with .0003" to .0005" thick tin plating
 T15.23 - reduces .062" dia. holes to .042"
- Simulates copper thru hole plating
- Used to commit power and ground planes



Part No.	Qty	A	B	C	ID
T15.23/M	1000	.062"	.105"	.093"	.042"
T123/500	500	.055"	.105"	.093"	.042"
T123/1000	1000	.055"	.105"	.093"	.042"



Accessories

