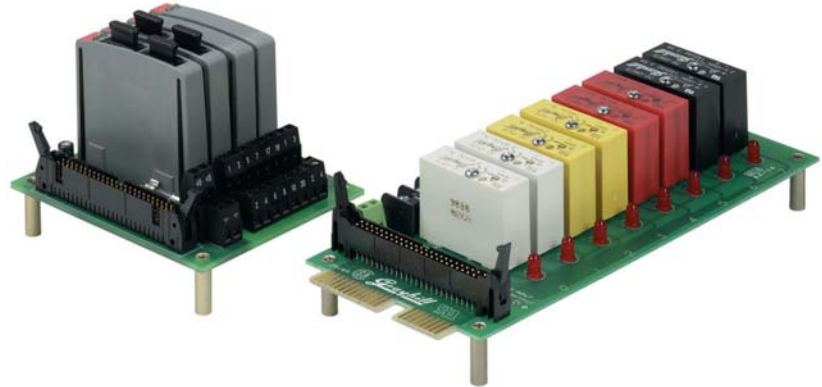


# RACKS

## 8 Channel

### FEATURES

- For use with System 50 Style Controllers
- Available for Standard Miniature and OpenLine® Modules
- Panel and DIN Rail Mount Versions
- UL, CSA Certified

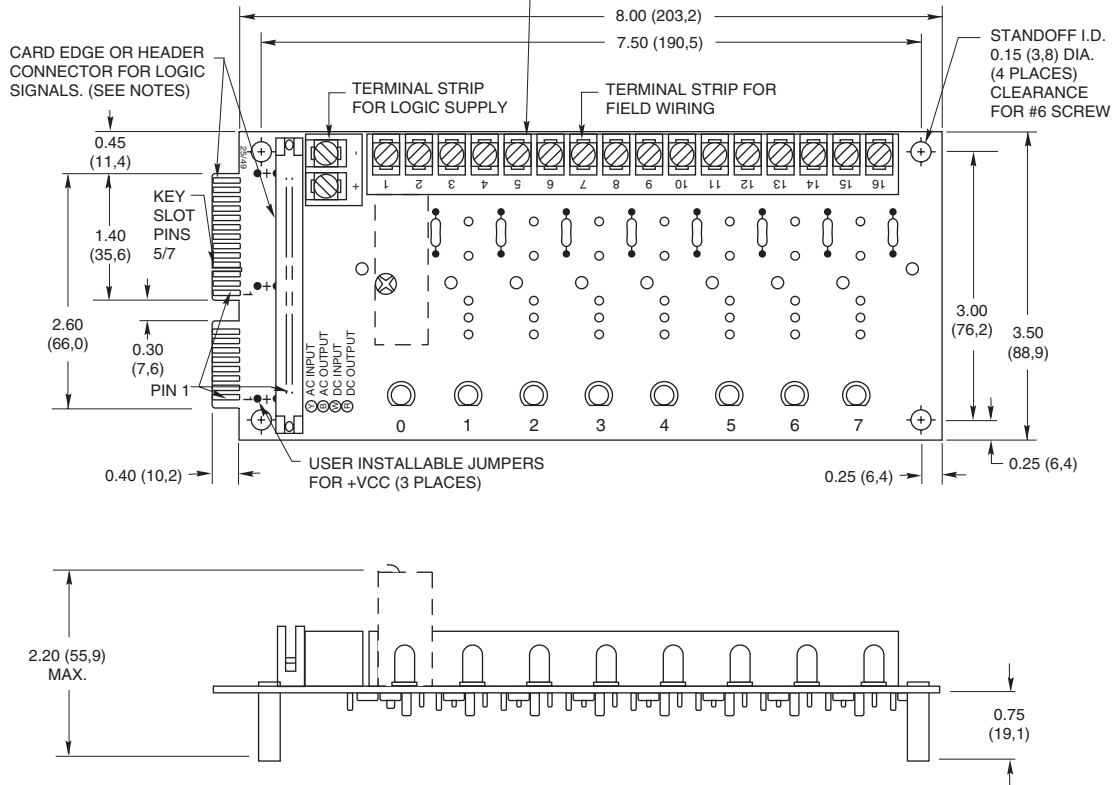


### 8 CHANNEL RACK: Standard

**Part No. 70RCK8**

Dimensions are shown in inches (and millimeters).  
All tolerances are ± 0.010 (0,25) unless otherwise specified.

NOTE: MAXIMUM TERMINAL SCREW TORQUE NOT TO EXCEED 5 IN-LBS.



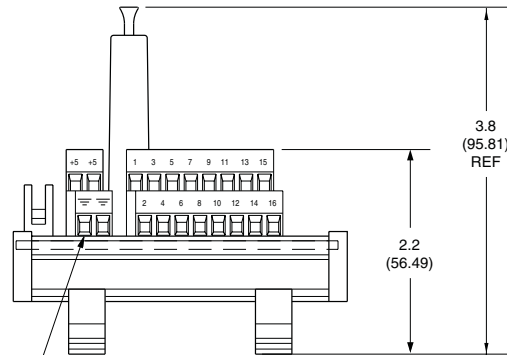
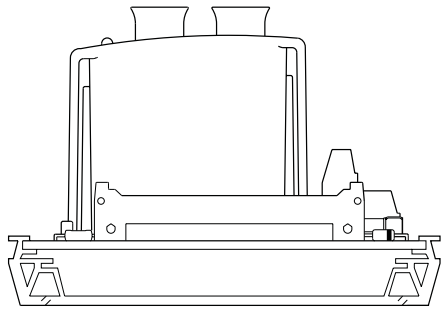
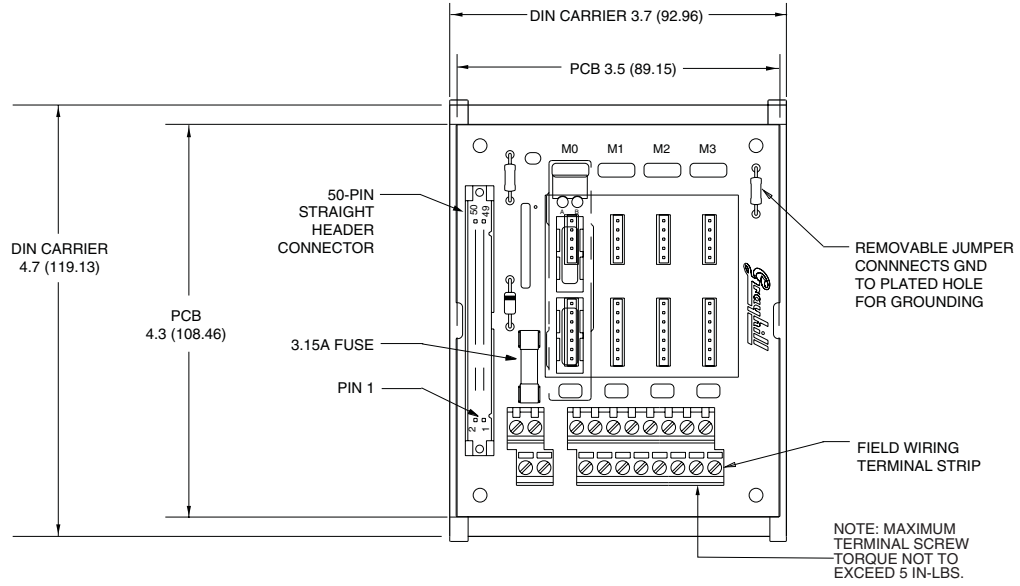
System 50

**8 CHANNEL RACK: DIN Rail Mount**

**Part No. 70LRCK8-DIN**

Dimensions are shown in inches (and millimeters).

All tolerances are  $\pm 0.010$  (0,25) unless otherwise specified.

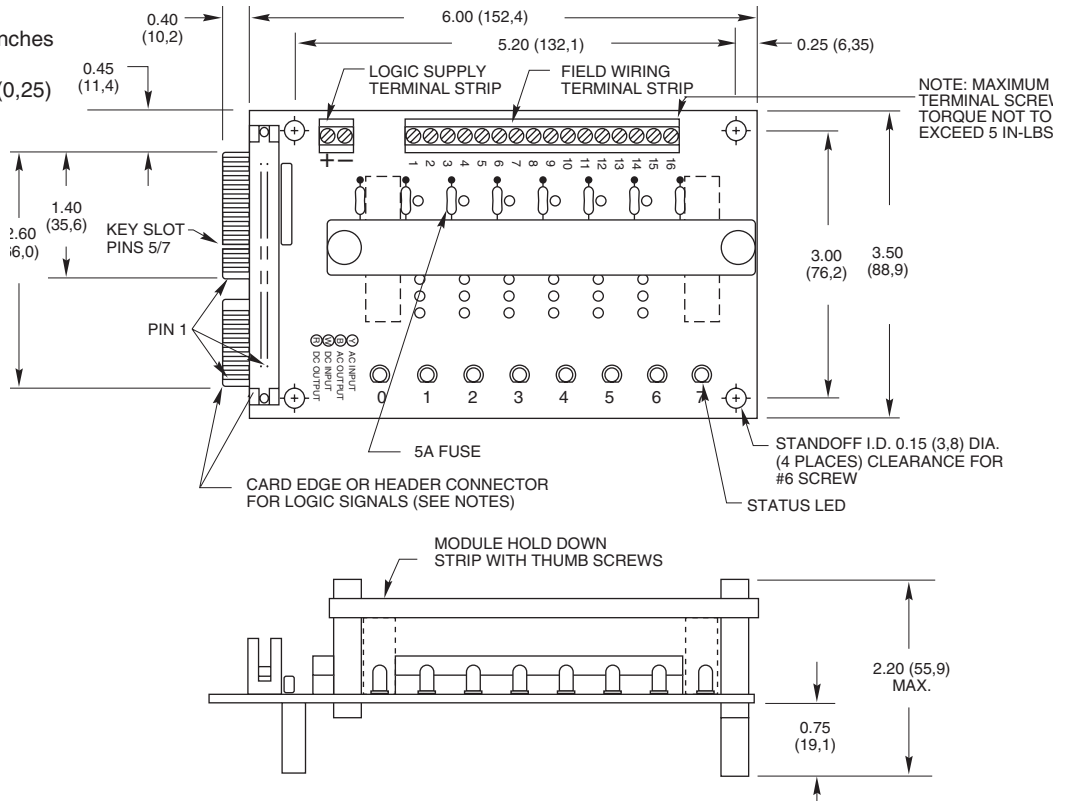


LOGIC SUPPLY TERMINAL STRIP  
TOP ROW: + LOGIC SUPPLY  
BOTTOM ROW: GND

### 8 CHANNEL RACK: Miniature

**Part No. 70MRCK8**

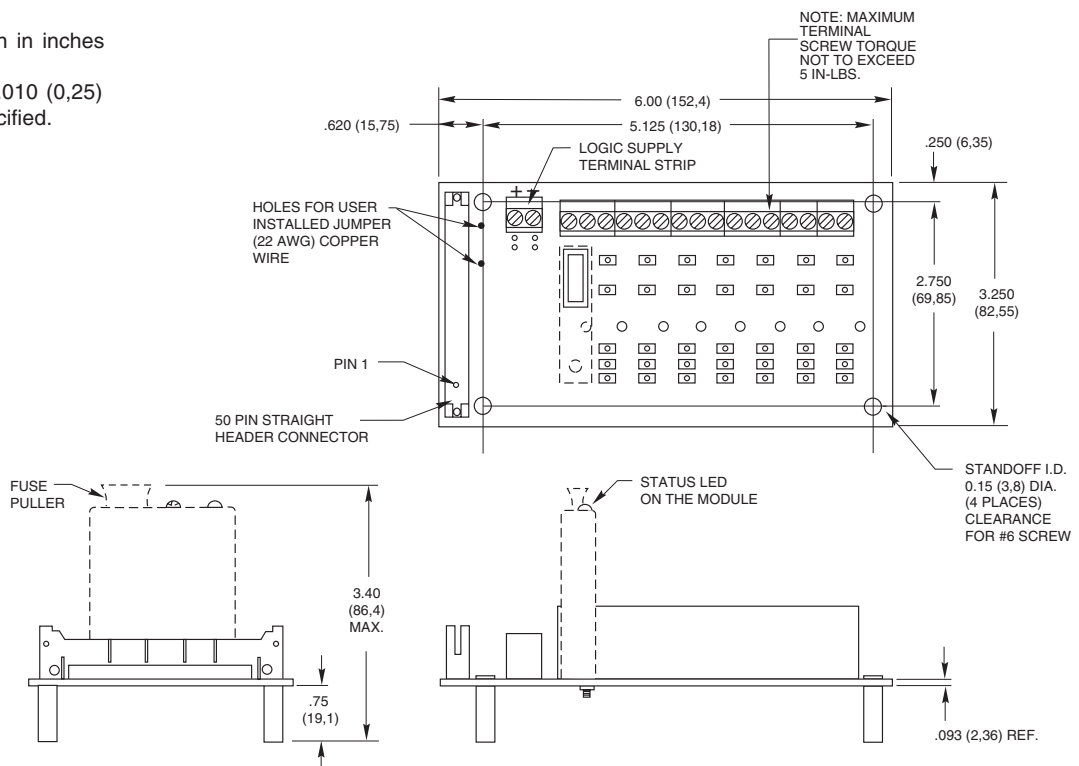
Dimensions are shown in inches (and millimeters). All tolerances are  $\pm 0.010$  (0,25) unless otherwise specified.



### 8 CHANNEL RACK: G5

**Part No. 70GRCK8**

Dimensions are shown in inches (and millimeters). All tolerances are  $\pm 0.010$  (0,25) unless otherwise specified.

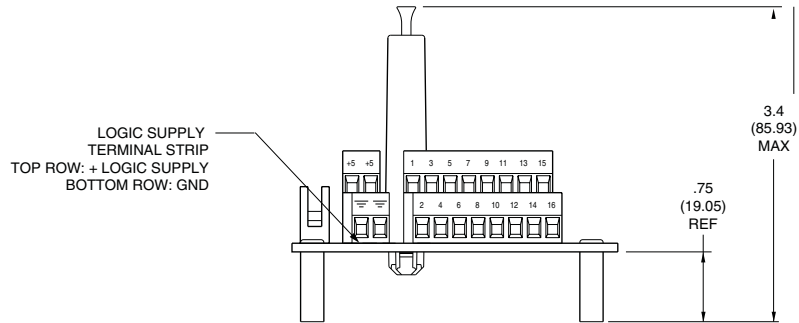
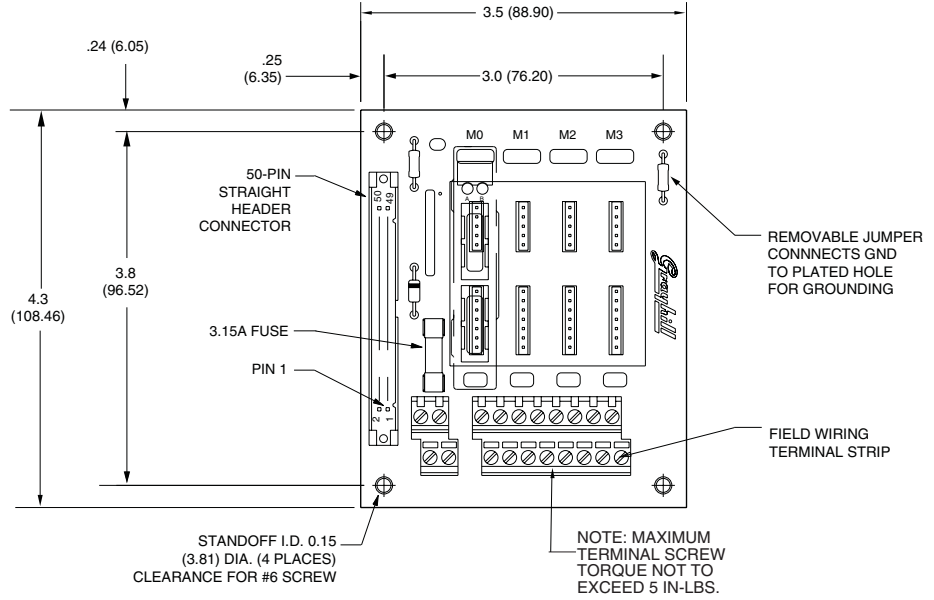


System 50

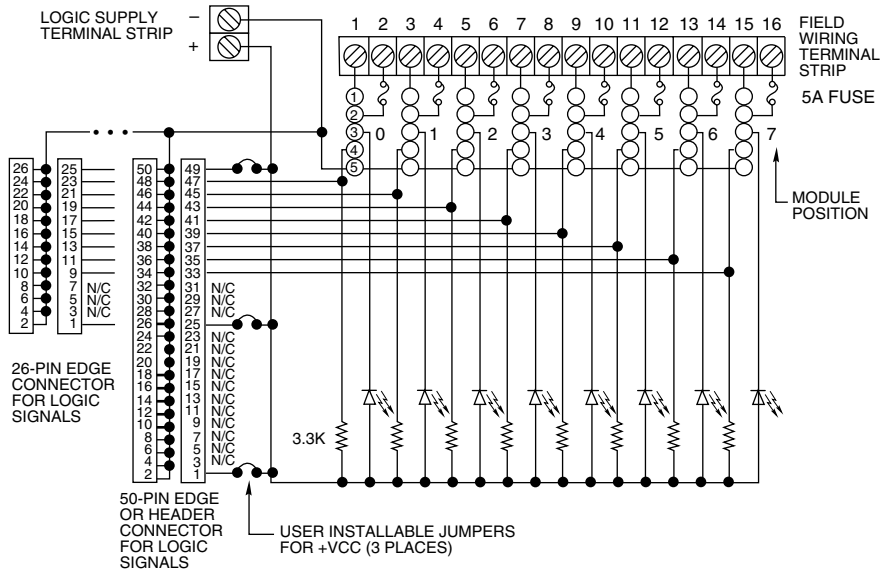
**8 CHANNEL RACK: OpenLine® System 50**

**Part No. 70LRCK8**

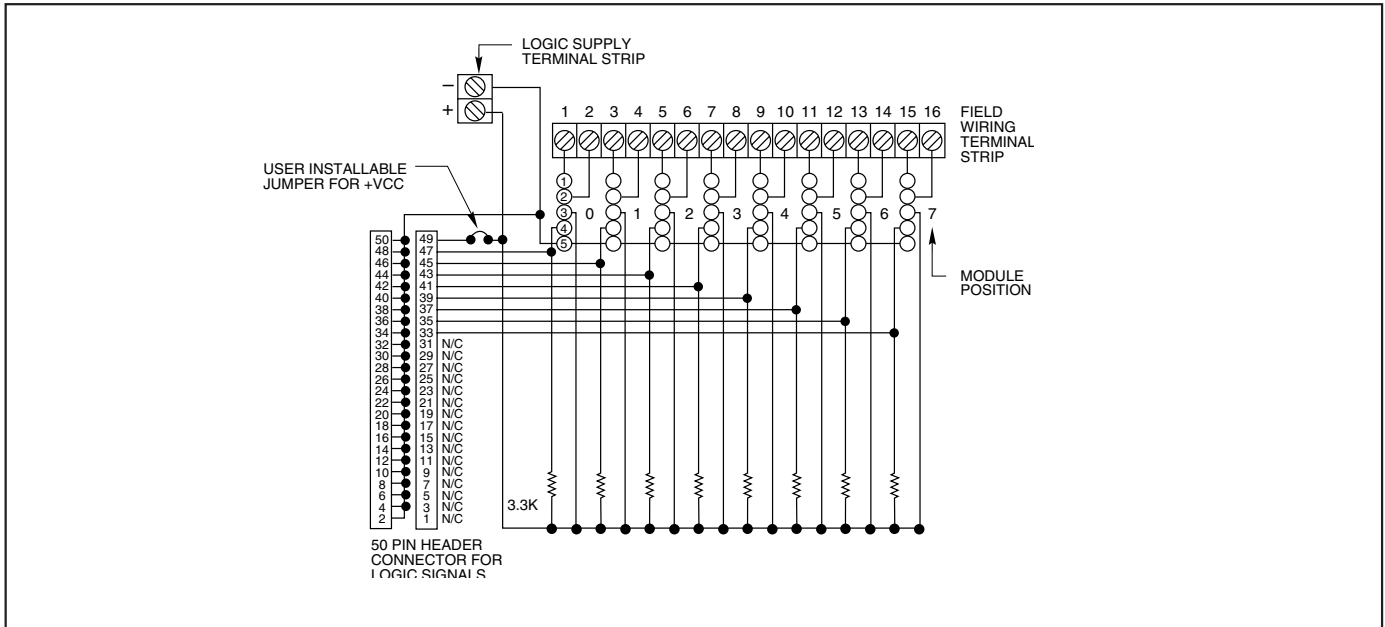
Dimensions are shown in inches (and millimeters).  
All tolerances are ± 0.010 (0,25) unless otherwise specified.



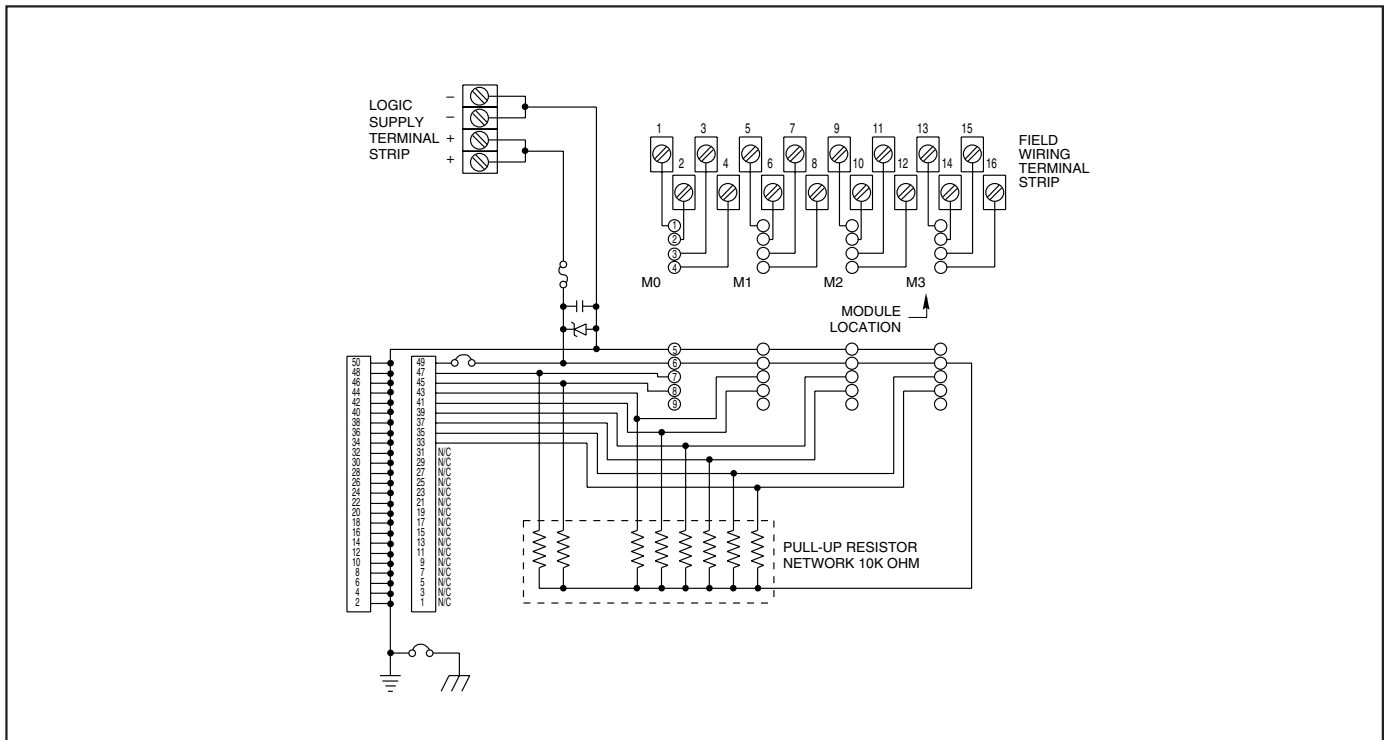
**SCHEMATIC: Part Nos. 70RCK8, 70MRCK8**



**SCHEMATIC: Part No. 70GRCK8**



**SCHEMATIC: Part No. 70LRCK8**



**ORDERING INFORMATION** (modules ordered separately)

Part Number	I/O	Description	UL	CSA	Style
70RCK8	8	Card edge	X	X	Standard
70RCK8-HL	8	50-pin header with ejector levers	X	X	Standard
70MRCK8-EC	8	Card edge	X	X	Mini
70MRCK8-HL	8	50-pin header with ejector levers	X	X	Mini
70GRCK8-HL	8	50-pin header with ejector levers	X	X	G5
70LRCK8-HL	8	50-pin header with ejector levers	Pend	Pend	OpenLine®
70LRCK8-DIN	8	50-pin header with DIN rail mount	Pend	Pend	OpenLine®

Available from your local Grayhill Distributor. For prices and discounts, contact a local Sales Office, an authorized local Distributor or Grayhill.

System 50