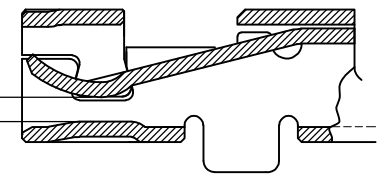
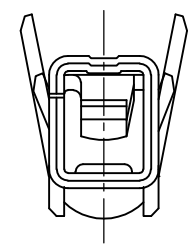
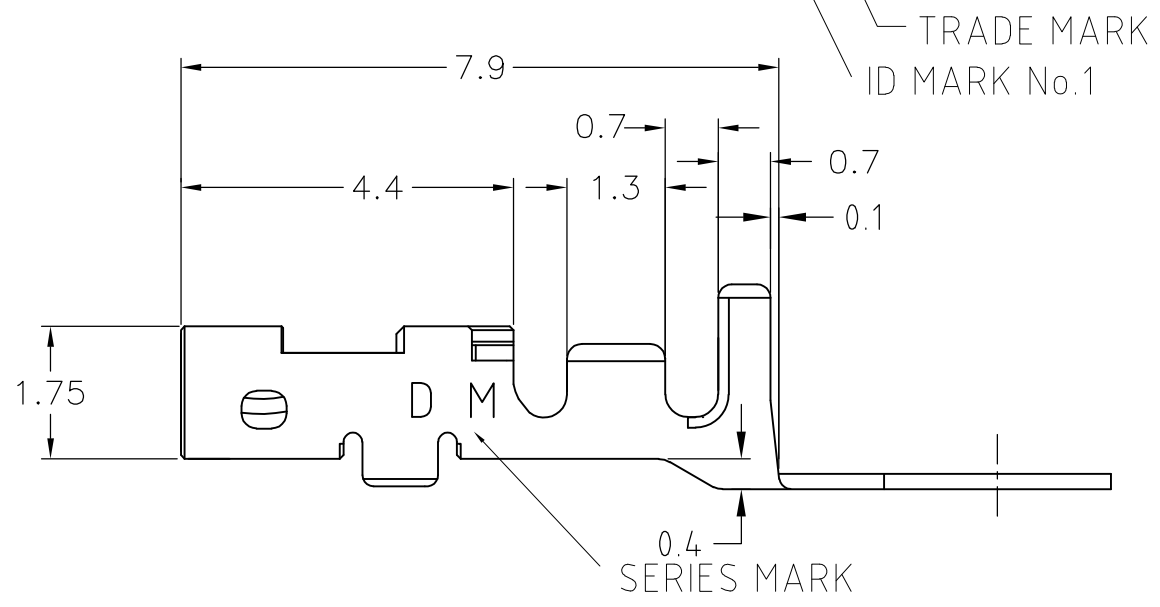
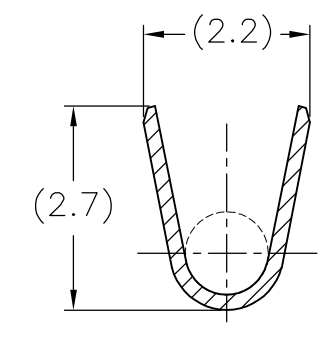
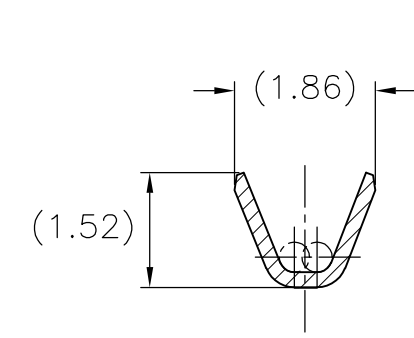
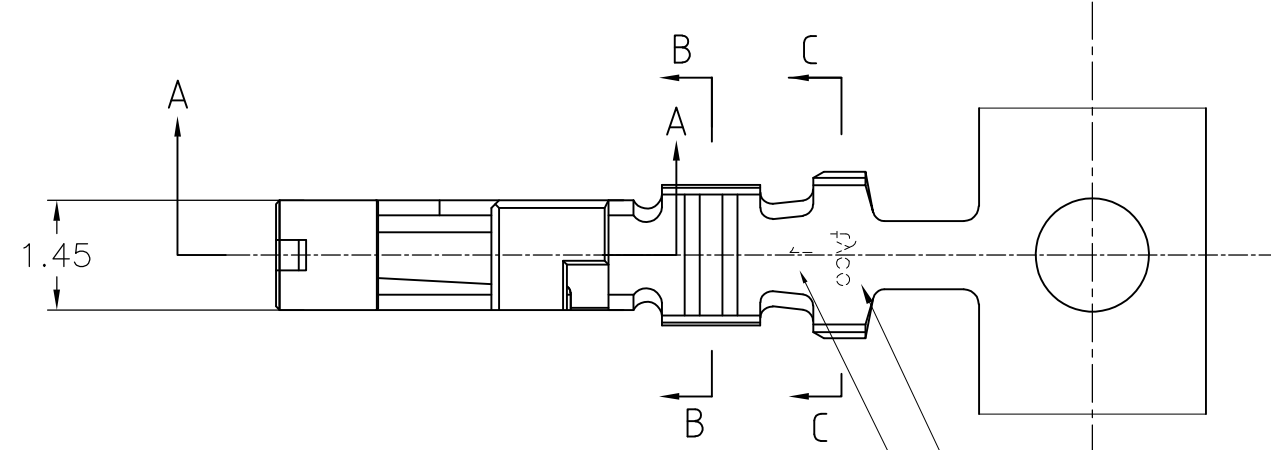


THIS DRAWING IS UNPUBLISHED. RELEASED FOR PUBLICATION
 © COPYRIGHT BY TYCO ELECTRONICS CORPORATION. ALL INTERNATIONAL RIGHTS RESERVED.

| LOC | DIST | REVISIONS | | |
|-----|------|-----------|---------|-------------|
| J | — | P | LTR | DESCRIPTION |
| | | E | REVISED | DATE |
| | | | | DWN |
| | | | | APVD |
| | | | | 26AUG10 |
| | | | | T.T |
| | | | | T.M |



0.5tタブにかん合
MATE WITH 0.5t TAB

| | | | |
|--|------------------------|---|--|
| AWG#28~#22 0.08~0.38mm ² | φ1.08~φ1.6 | COPPER ALLOY, FINISH: CONTACT AREA Au 0.38μm MIN, OVER Ni 1.27μm MIN 材料: 銅合金, 下地: Niめっき1.27μm以上, 接点部: 金めっき0.38μm以上 | 1827570-2 |
| WIRE RANGE 導体断面積 | INSULATION DIA 被覆外径 | MATERIAL 材料 | PART No. 型番 |
| THIS DRAWING IS A CONTROLLED DOCUMENT. | | DWN T.KUDO 04MAR2005 | Tyco Electronics Corporation Kawasaki, Japan |
| | | CHK D.MITSUGI 04MAR2005 | |
| DIMENSIONS: 単位: 耗 mm | | APVD D.MITSUGI 04MAR2005 | NAME 名称 DYNMIC D1000 SERIES REC CONTACT M TYPE REEL |
| | | PRODUCT SPEC 製品規格 108-78268 | |
| TOLERANCES UNLESS OTHERWISE SPECIFIED: 一般公差 | | APPLICATION SPEC 取付適用規格 114-5377 | SIZE A3 |
| 0 PLQ ± 0.3 1 PLC ± 2 PLC ± 3 PLC ± 4 PLG ± ANGLES ± 3deg | | WEIGHT | |
| MATERIAL 材料 | FINISH 仕上 | CAGE CODE 00779 | DRAWING NO 番号 G-1827570 |
| CUSTOMER DRAWING | | | RESTRICTED TO — |
| SCALE 尺度 10:1 | | | SHEET 1 OF 1 |
| | | | REV E |