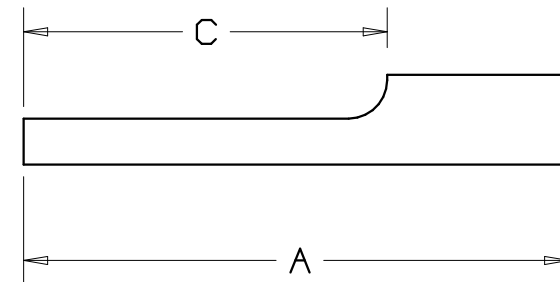
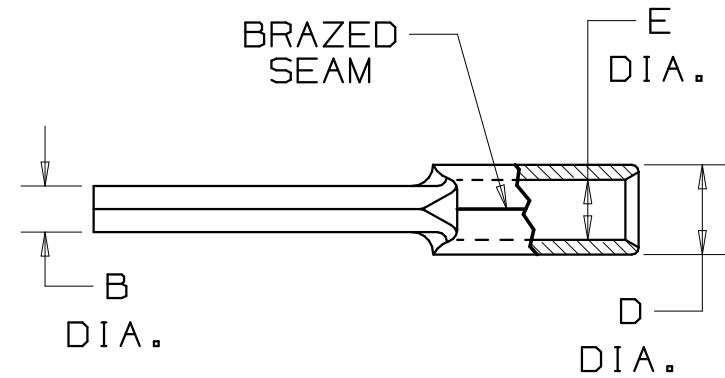


PANDUIT PART NUMBER	WIRE SIZE AWG (mm <sup>2</sup> )	DIMENSIONS in.				
		$\pm .020$ A ( $\pm .5$ )	$\pm .010(\pm .3)$ B DIA.	$\pm .015$ C ( $\pm .4$ )	$\pm .010(\pm .3)$ D DIA.	$\pm .010(\pm .3)$ E DIA.
P18-P47 *	22-18 (.5-1.5)	.75 (19,1)	.07 (1,8)	.49 (12,4)	.14 (3,6)	.06 (1,5)
P14-P47 *	16-14 (2,0-2,5)	.75 (19,1)	.07 (1,8)	.49 (12,4)	.16 (4,1)	.08 (2,0)
P10-P55	12-10 (4,0-6,0)	.79 (20,1)	.11 (2,8)	.55 (14,0)	.22 (5,6)	.15 (3,8)

NOTES:

- RECOMMENDED FOR:  
A. SOLID OR STRANDED COPPER WIRE
- MATERIAL:  
A. STAMPING - COPPER, TIN PLATED
- PACKAGE QTY: STD. PKG. -C=100  
BULK PKG. -M=1000
- DIMENSIONS IN BRACKETS ARE IN mm or mm<sup>2</sup>
- INSTALLATION TOOLS:  
A. PANDUIT APPROVED: CT-100, CT-160, CT-200, CT-260, CT-1570,
- WIRE STRIP LENGTH:  $9/32^{+1/32}_{-0}$  (7,1  $^{+0,8}_{-0}$ )



\* RECOGNIZED  
E52164

5	6/06	DAW	DAW	ADDED UL RECOGNIZED MARKING FOR P18-P47 AND P14-P47	TR00142													A41334_05
4	1/01	EJS	SKB	REMOVED CT-570 FROM TOOL LIST, "A" TOL. WAS ,8	08993	--	--											
3	2/99	WB	SKB	UPDATED NOTES & DIMENSIONS	07530	JCJ	TRO											
2	3-95	MS	RS	UPDATED NOTES AND DIMENSIONS	03123	LA	KS											
1	9-88	DW	RJT	REDRAWN WITH REVISIONS														
REV	DATE	BY	CHK	DESCRIPTION	ECN #	CUST	PM	DRAWN BY	CHK'D	SCALE	DRAWING NO.							
								DAW	RLS	NONE	A41334							

**PANDUIT** CORP.

TINLEY PARK, ILLINOIS

NON-INSULATED PIN TERMINAL