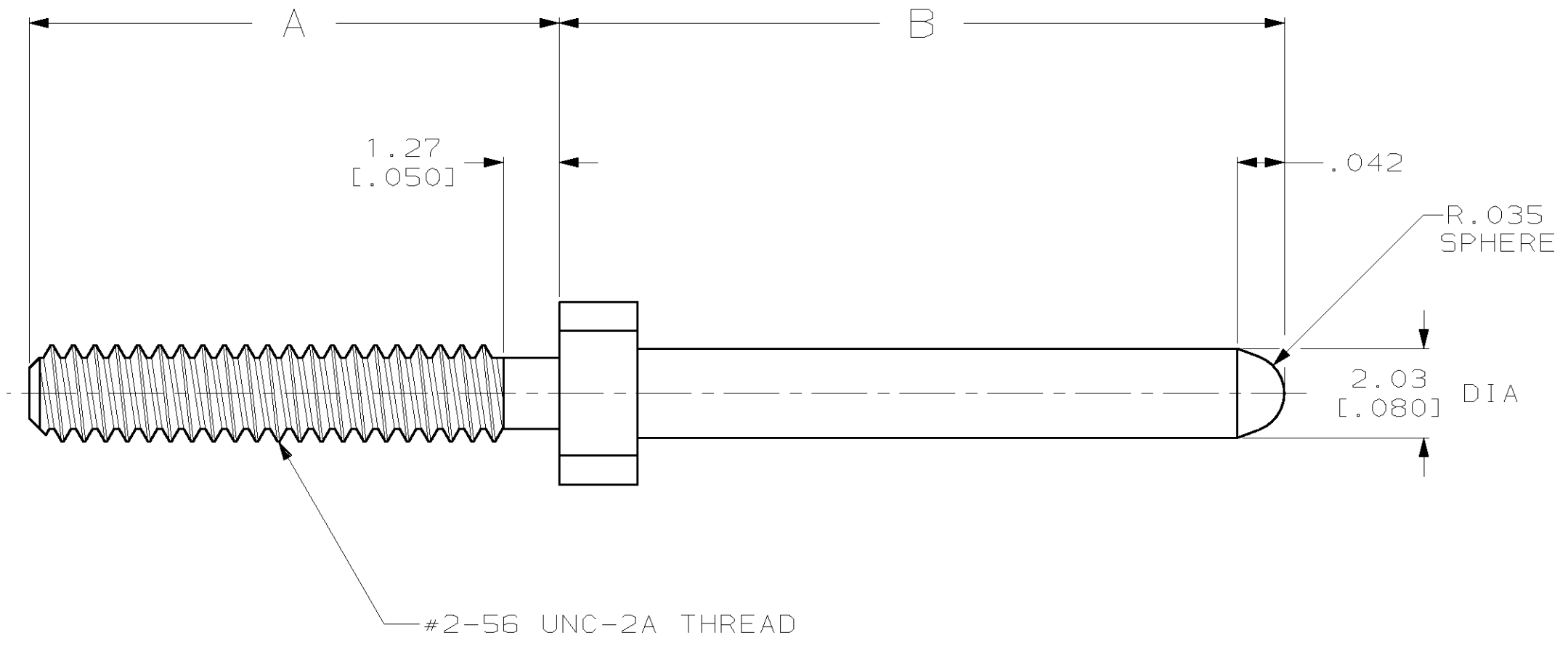
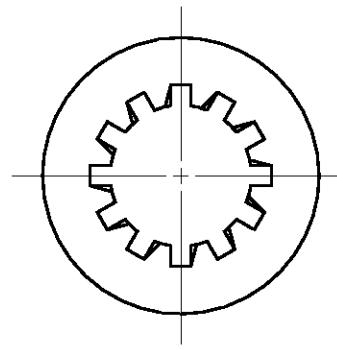
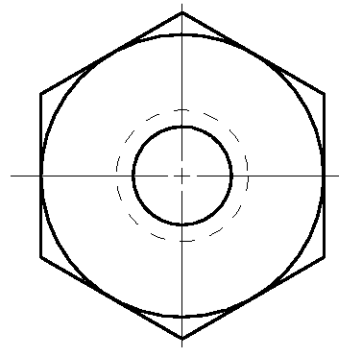


THIS DRAWING IS UNPUBLISHED. RELEASED FOR PUBLICATION
 (C) COPYRIGHT 19 BY AMP INCORPORATED. ALL RIGHTS RESERVED.

LOC	DIST	REVISIONS					
		P	LTR	DESCRIPTION	DATE	DWN	APVD
AD	00		B	ECN AD4218	6-1-90	RKS	-
			C	REVISED PER ECN 0010-0841-93	2-1-94	TS	GS
			D	PER EC 1546-94	11-10-94	TS	DH
			E	PER EC 0602-95	10-20-95	TS	JW
			F	PER EC 0504-0091-96	11-27-96	TS	GS
			G	PER EC 0010-0829-96	6-20-97	TS	JR
			H	REACTIVATED -5	02 MAY 02	BC	WM
				PER EC 0512-0168-02			



- 1 MATERIAL: STAINLESS STEEL
- 2 FINISH: PASSIVATED
- 3. DIMENSIONS IN BRACKETS ARE IN INCHES.

OBSOLETE	16.51 [.650]	25.40 [1.000]	532808-6
	16.51 [.650]	9.40 [.370]	532808-5
OBSOLETE	16.51 [.650]	15.49 [.610]	532808-4
	16.51 [.650]	19.05 [.750]	532808-3
	16.51 [.650]	14.27 [.562]	532808-2
	16.51 [.650]	12.06 [.475]	532808-1
	B	A	PART NUMBER

<small>THIS DRAWING IS A CONTROLLED DOCUMENT FOR AMP INCORPORATED. IT IS SUBJECT TO CHANGE AND THE CONTROLLING ENGINEERING ORGANIZATION SHOULD BE CONTACTED FOR THE LATEST REVISION.</small>		DWN R.K. SEIFRIED 6-1-90 CHK G. SKIPPER 12-15-93 APVD G. SKIPPER 12-15-93	AMP AMP Incorporated Harrisburg, PA 17105-3608
DIMENSIONS: mm [INCHES]	TOLERANCES UNLESS OTHERWISE SPECIFIED: 0 PLC ± 1 PLC ± 2 PLC ± 3 PLC ±0.13 [.005] 4 PLC ± ANGLES ± FINISH ±	PRODUCT SPEC APPLICATION SPEC WEIGHT	NAME HDI, GUIDE PIN KIT SIZE A2 CAGE CODE 00779 DRAWING NO. C-532808 SCALE 8:1 SHEET 1 OF 1 REV H
MATERIAL	FINISH	CUSTOMER DRAWING	

532808

B

A