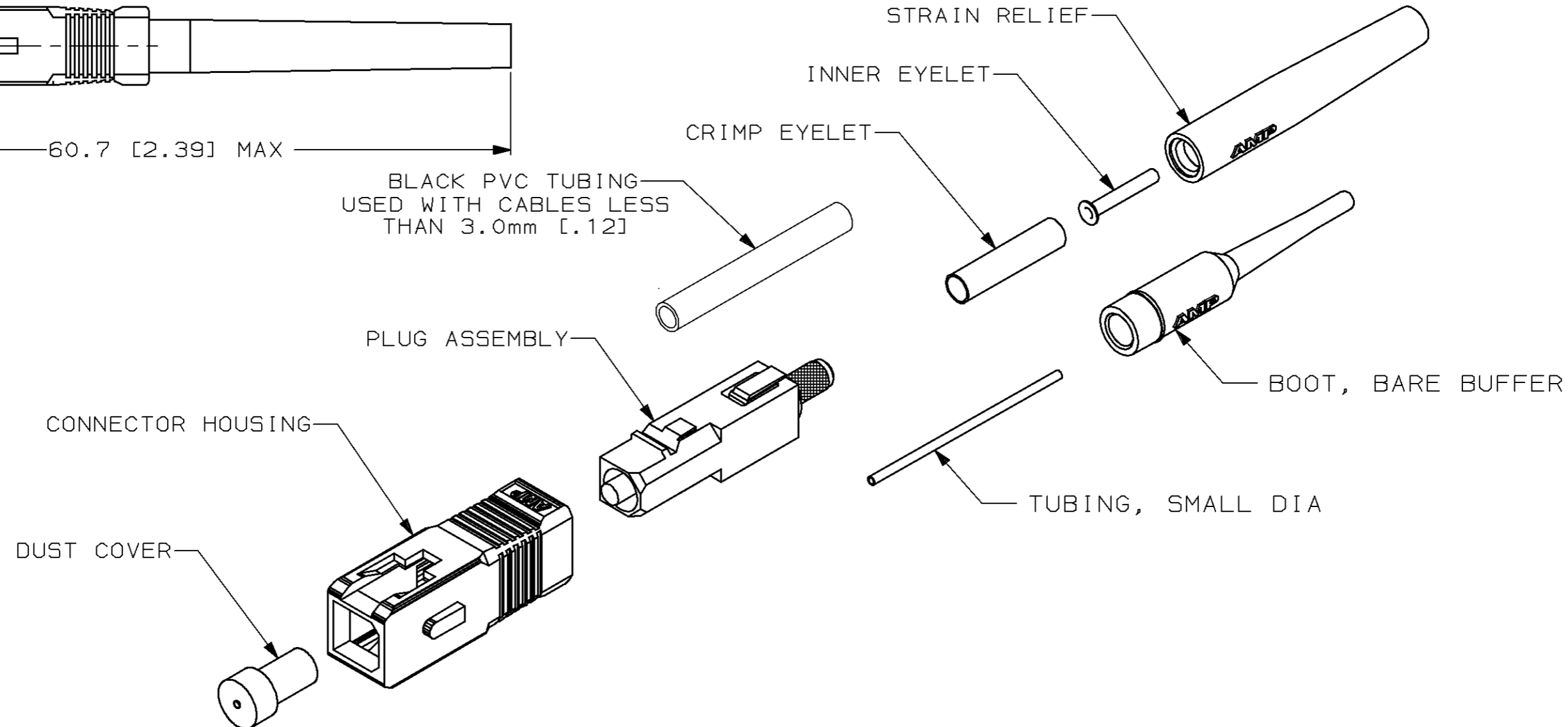
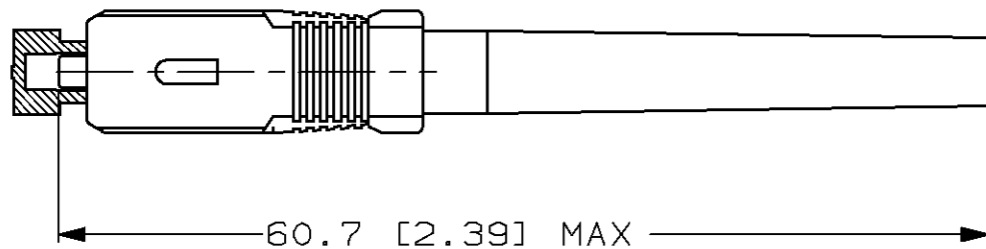


THIS DRAWING IS UNPUBLISHED. RELEASED FOR PUBLICATION ,19 .  
 © COPYRIGHT 19 BY AMP INCORPORATED. ALL RIGHTS RESERVED.

LOC	DIST	REVISIONS			
P	LTR	DESCRIPTION	DATE	DWN	APVD
CE	16	D	REV PER 0A00-0503-95	12-4-95	DDE SB



- 1 MATERIAL:  
 PLUG BODY: THERMOPLASTIC, BEIGE  
 CONNECTOR HOUSING: THERMOPLASTIC, BEIGE  
 INTERNAL BODY: ZINC  
 CRIMP EYELET: COPPER  
 INNER EYELET: BRASS  
 STRAIN RELIEF/BOOT: THERMOPLASTIC ELASTOMER, BEIGE  
 CAPILLARY: ZrO<sub>2</sub>
- 2 FINISH:  
 INTERNAL BODY: ELECTROLESS NICKEL  
 CRIMP EYELET: TIN

4. INSTRUCTION SHEET #408-4066

3. DIMENSIONS IN [ ] ARE IN INCHES.

<small>THIS DRAWING IS A CONTROLLED DOCUMENT FOR AMP INCORPORATED. IT IS SUBJECT TO CHANGE AND THE CONTROLLING ENGINEERING ORGANIZATION SHOULD BE CONTACTED FOR THE LATEST REVISION.</small>		DWN	D ERDMAN	6-27-94
DIMENSIONS: mm		CHK	J MCKEE	6-27-94
		APVD	B EDWARDS	6-27-94
TOLERANCES UNLESS OTHERWISE SPECIFIED: 0 PLC ±- 1 PLC ±- 2 PLC ±0.13 [.005] 3 PLC ±- 4 PLC ±- ANGLES ±1° FINISH -		PRODUCT SPEC	-	
MATERIAL		APPLICATION SPEC	-	
		WEIGHT	-	
		CUSTOMER DRAWING	-	

125±2µm		503692-1
FIBER SIZE		PART NO
AMP Incorporated Harrisburg, PA 17105-3608		
NAME		
KIT, CONNECTOR, AMP LightCrimp SC SIMPLEX, MULTIMODE		
SIZE	CAGE CODE	DRAWING NO
A3	00779	C-503692
SCALE	SHEET	OF 1 REV
2:1	1	1 D