

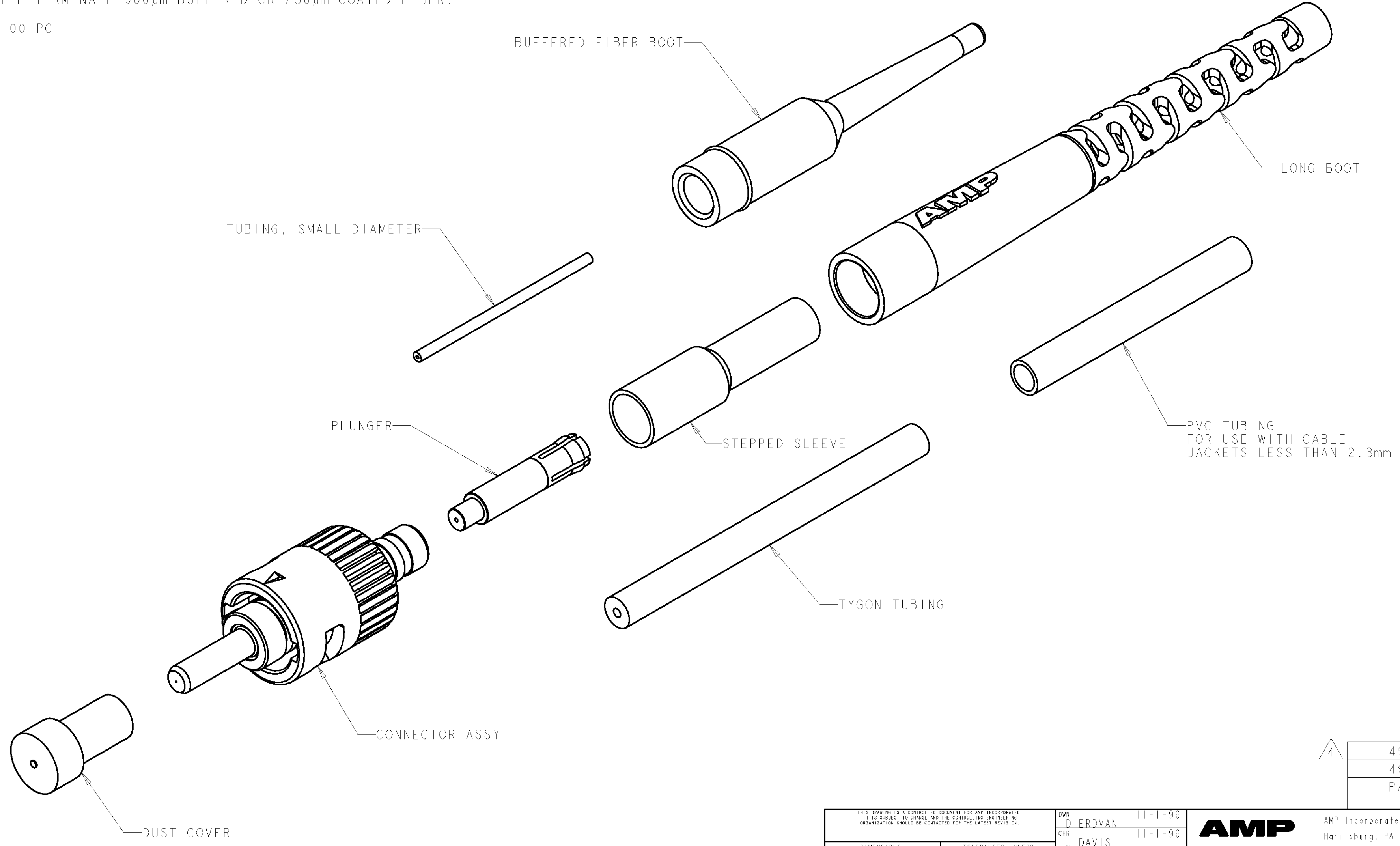
THIS DRAWING IS UNPUBLISHED. RELEASED FOR PUBLICATION .19
 © COPYRIGHT 19 BY AMP INCORPORATED. ALL RIGHTS RESERVED.

LOC	DIST	REVISIONS			
F	LTR	DESCRIPTION	DATE	DWN	APVD
CE	16	A	REV PER 0A00-0153-97	4-25-97	DDE JD

1 CONNECTOR ASSY: BODY AI, FERRULE POLYMER
 BOOTS: THERMOPLASTIC ELASTOMER
 STEPPED SLEEVE: COPPER
 PLUNGER: AI

2 STEPPED SLEEVE: Ni
 3. THIS KIT WILL TERMINATE 900µm BUFFERED OR 250µm COATED FIBER.

4 BULK PACK 100 PC



4	492168-2
	492168-1
	PART NO

<small>THIS DRAWING IS A CONTROLLED DOCUMENT FOR AMP INCORPORATED. IT IS SUBJECT TO CHANGE AND THE CONTROLLING ENGINEERING ORGANIZATION SHOULD BE CONTACTED FOR THE LATEST REVISION.</small>		DWN <u>D. ERDMAN</u> 11-1-96 CHK <u>J. DAVIS</u> 11-1-96 APVD <u>B. EDWARDS</u> 11-1-96	AMP AMP Incorporated Harrisburg, PA 17105-3608
DIMENSIONS: mm 	TOLERANCES UNLESS OTHERWISE SPECIFIED: 0 PLC ± 1 PLC ±0.1 2 PLC ±0.02 3 PLC ±0.005 4 PLC ±0.0005 ANGLES ± FINISH - 2	NAME CONNECTOR KIT, LightCrimp NextC, 125µm	SIZE A2
MATERIAL - 1	FINISH - 2	APPLICATION SPEC PRODUCT SPEC WEIGHT -	CAGE CODE 00779 DRAWING NO C-492168 RESTRICTED TO -
CUSTOMER DRAWING		SCALE 4:1	SHEET 1 OF 1 REV A