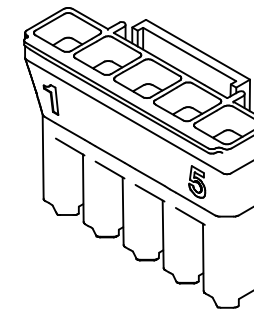
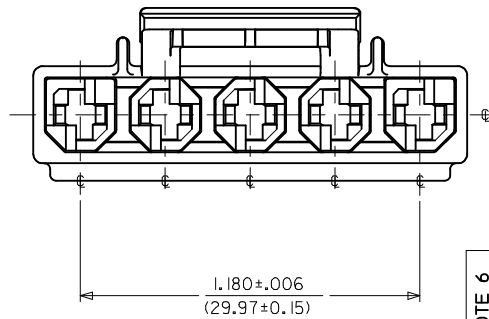
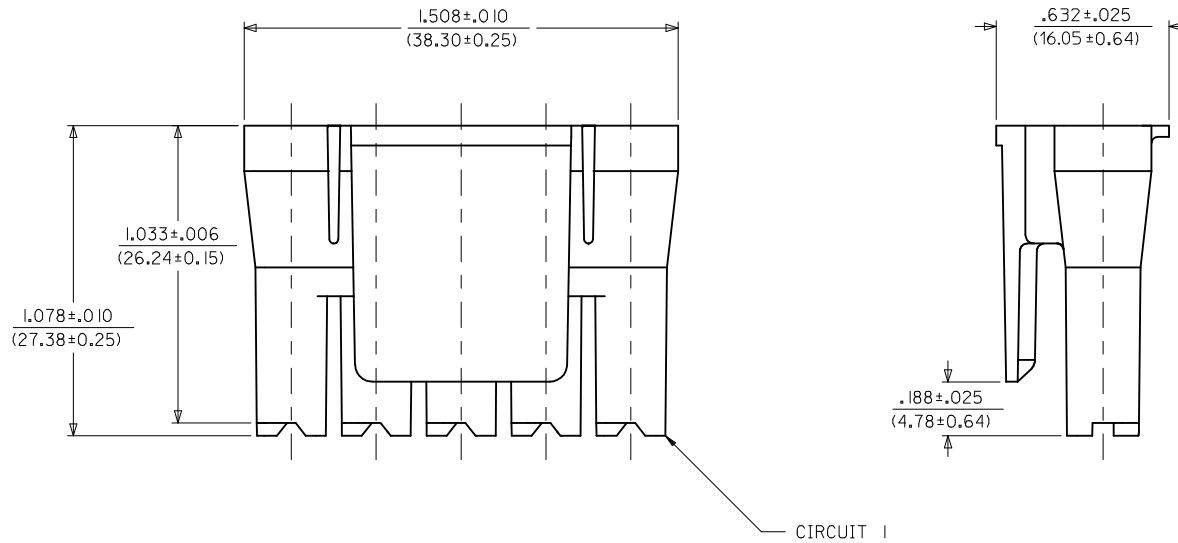


NOTES:

1. MATERIAL: SEE CHART.
2. THIS CONNECTOR HOUSING FOR USE WITH 43375-**** TERMINALS.
3. THIS CONNECTOR HOUSING WILL MATE TO A-43160-****5, 43180-****5, AND 43680-****5 HOUSINGS.
4. PRODUCT SPECIFICATION: PSX-4444I-9999.
5. PACKAGING: PK-4444I-001.
6. FOR V-0 MATERIAL: PARTS CONFORM TO CLASS 'B' REQUIREMENTS OF COSMETIC SPECIFICATION PS-45499-002 BUT, MEETS CLASS 'C' REQUIREMENTS FOR BUBBLES, SINK AND DISCOLORATION.

ITEM NUMBER	MATERIAL	COLOR
4444I-2005	NYLON 6, UL94V-0, IEC 60335-1, 4TH EDITION, GLOW WIRE CAPABLE.	BLACK
4444I-1005	NYLON PA66, UL94V-2	NATURAL (TRANSLUCENT)



4444I-*005
(NO SCALE)

ADD COSMETIC NOTE 6 EC NO: UCP2012-4200 DRWN: AELHAG 2012/09/06 CHKD: JBELL 2012/09/06 APPR: FSMITH 2012/09/11	QUALITY SYMBOLS	GENERAL TOLERANCES (UNLESS SPECIFIED)	DIMENSION STYLE	SCALE	DESIGN UNITS	THIRD ANGLE PROJECTION
	▽=0	mm INCH	IN/MM	3:1	INCH	
	▽=0	4 PLACES ± --- ± ---	DRAWN BY DATE	TITLE	5-CIR. RECEPT. HOUSING .125 X .020 FLAT BLADE TPA W/THUMB LATCH	
	▽=0	3 PLACES ± --- ±.010	CHECKED BY DATE	MOLEX INCORPORATED		
	2 PLACES ± 0.25 ±.014	APPROVED BY DATE	DOCUMENT NO. SD-4444I-*005			
	1 PLACE ± 0.35 ± ---	FSMITH 2010/10/07	SHEET NO. 1 OF 1			
	ANGULAR ±1/2°	DRAFT WHERE APPLICABLE MUST REMAIN WITHIN DIMENSIONS				
		SEE CHART				
		THIS DRAWING CONTAINS INFORMATION THAT IS PROPRIETARY TO MOLEX INCORPORATED AND SHOULD NOT BE USED WITHOUT WRITTEN PERMISSION				