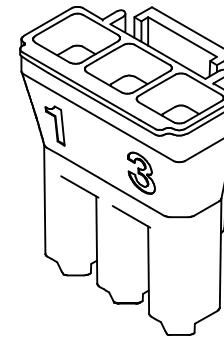
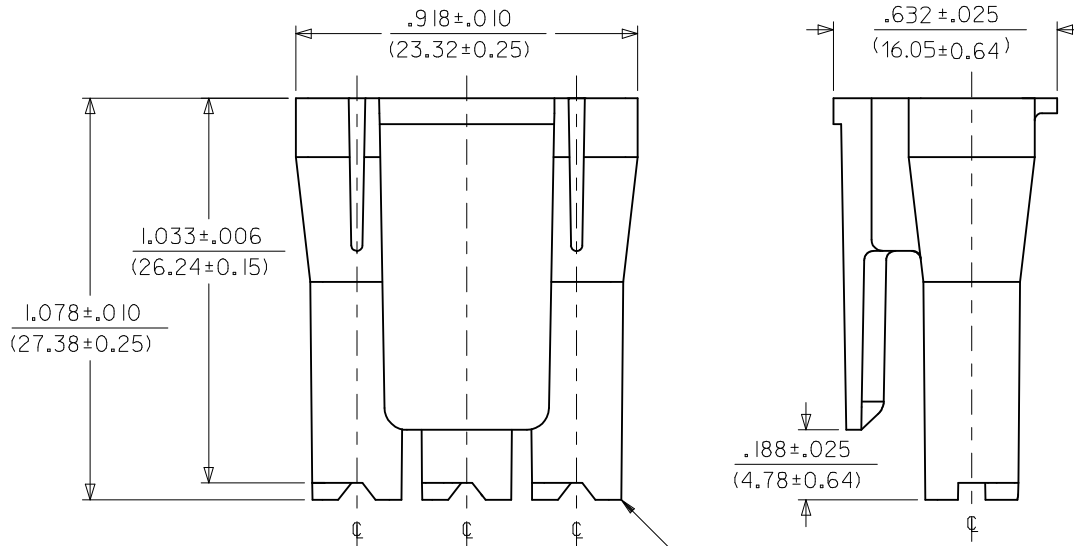


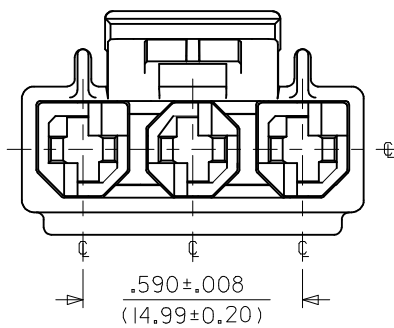
# NOTES:

1. MATERIAL: SEE CHART.
2. THIS CONNECTOR HOUSING FOR USE WITH 43375-\*\*\*\* TERMINALS.
3. THIS CONNECTOR HOUSING WILL MATE TO A-43160-\*\*\*\*3, 43180-\*\*\*\*3, AND 43680-\*\*\*3 HOUSINGS.
4. PRODUCT SPECIFICATION: PSX-44441-9999.
5. PACKAGING: PK-44441-001.
6. FOR V-0 MATERIAL: PARTS CONFORM TO CLASS 'B' REQUIREMENTS OF COSMETIC SPECIFICATION PS-45499-002 BUT, MEETS CLASS 'C' REQUIREMENTS FOR BUBBLES, SINK AND DISCOLORATION.

ITEM NUMBER	MATERIAL	COLOR
44441-2003	UL94V-0 NYLON	BLACK
44441-1003	UL94V-2 NYLON	NATURAL (TRANSLUCENT)



44441-\*003  
(NO SCALE)



CIRCUIT 1

<b>REVISE DIM. TOLERANCE</b> EC NO: UCP2013-4900 DRWN: AELHAG 2013/05/10 CHKD: JBELL 2013/05/10 APPR: FSMITH 2013/05/16	<b>QUALITY SYMBOLS</b> ∇7=0 ∇7=0 ∇7=0	<b>GENERAL TOLERANCES (UNLESS SPECIFIED)</b>		<b>DIMENSION STYLE</b> IN/MM		<b>SCALE</b> 3:1	<b>DESIGN UNITS</b> INCH	THIRD ANGLE PROJECTION		
		4 PLACES ± --- ± ---	3 PLACES ± --- ± .010	2 PLACES ± 0.25 ± .014	1 PLACE ± 0.35 ± ---	DRAWN BY DATE GC 1995/01/06	TITLE 3-CIR. RECEPT. HOUSING .125 X .020 FLAT BLADE TPA W/THUMB LATCH			
		ANGULAR ±1/2°				CHECKED BY DATE KBP 1995/01/06	MOLEX INCORPORATED			
		DRAFT WHERE APPLICABLE MUST REMAIN WITHIN DIMENSIONS				APPROVED BY DATE RAS 1995/01/06	MATERIAL NO. SEE CHART	DOCUMENT NO. SD-44441-*003	SHEET NO. 1 OF 1	
SIZE B		THIS DRAWING CONTAINS INFORMATION THAT IS PROPRIETARY TO MOLEX INCORPORATED AND SHOULD NOT BE USED WITHOUT WRITTEN PERMISSION								