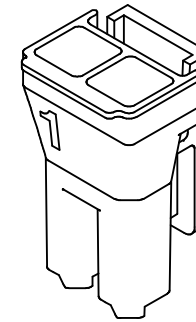
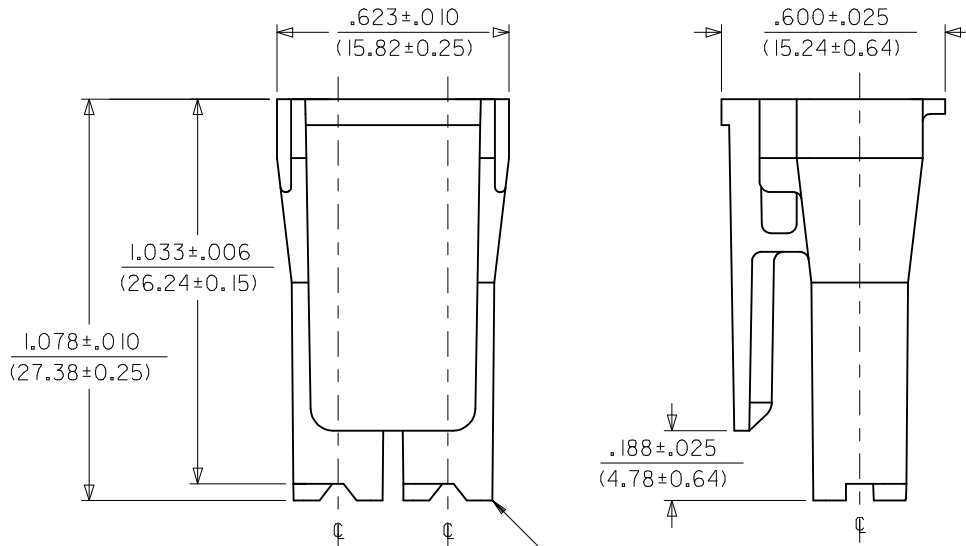


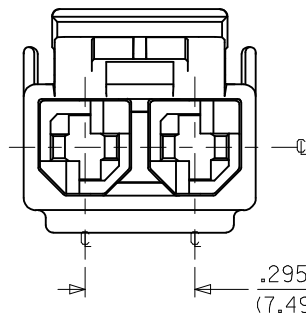
NOTES:

1. MATERIAL: SEE CHART.
2. THIS CONNECTOR HOUSING FOR USE WITH 43375-**** TERMINALS.
3. THIS CONNECTOR HOUSING WILL MATE TO A-43160-****2, 43180-****2, AND 43680-****2 HOUSINGS.
4. PRODUCT SPECIFICATION: PSX-44441-9999.
5. PACKAGING: PK-44441-001.
6. FOR V-0 MATERIAL: PARTS CONFORM TO CLASS 'B' REQUIREMENTS OF COSMETIC SPECIFICATION PS-45499-002 BUT, MEETS CLASS 'C' REQUIREMENTS FOR BUBBLES, SINK AND DISCOLORATION.

ITEM NUMBER	MATERIAL	COLOR
44441-2002	UL94V-0 NYLON	BLACK
44441-1002	UL94V-2 NYLON	NATURAL (TRANSLUCENT)



44441-*002
(NO SCALE)



CIRCUIT 1

.295±.006
(7.49±0.15)

ADD COSMETIC NOTE 6 EC NO: UCP2012-4200 DRWN: AELHAG 2012/09/06 CHKD: JBELL 2012/09/06 APPR: F SMITH 2012/09/11	QUALITY SYMBOLS ▽E7=0 ▽E=0 ▽E=0	GENERAL TOLERANCES (UNLESS SPECIFIED) 4 PLACES ± --- ± --- 3 PLACES ± --- ± .010 2 PLACES ± 0.25 ± .014 1 PLACE ± 0.35 ± --- 0 PLACE ± ±	DIMENSION STYLE IN/MM	SCALE 1:1	DESIGN UNITS INCH	THIRD ANGLE PROJECTION
	DRAWN BY DATE MAB 1995/09/18	CHECKED BY DATE KBP 1995/09/18	APPROVED BY DATE	TITLE 2-CIR RECEPTACLE HOUSING .125/(3.18) X.020/(0.51) SABRE-TPA		
	MATERIAL NO. SEE CHART			DOCUMENT NO. SD-44441-*002		SHEET NO. 1 OF 1
	DRAFT WHERE APPLICABLE MUST REMAIN WITHIN DIMENSIONS					



THIS DRAWING CONTAINS INFORMATION THAT IS PROPRIETARY TO MOLEX INCORPORATED AND SHOULD NOT BE USED WITHOUT WRITTEN PERMISSION