

**INSTRUCTION
MANUAL
MANUAL DE
INSTRUCCIONES**

BK PRECISION®
MODEL 4011A
MODELO 4011A



5 MHz FUNCTION GENERATOR

with DIGITAL DISPLAY

**5MHz GENERADOR DE FUNCIONES
CON DIGITOS INDICADOR**

BK PRECISION®

TEST INSTRUMENT SAFETY

WARNING

Normal use of test equipment exposes you to a certain amount of danger from electrical shock because testing must sometimes be performed where exposed voltage is present. An electrical shock causing 10 milliamps of current to pass through the heart will stop most human heartbeats. Voltage as low as 35 volts dc or ac rms should be considered dangerous and hazardous since it can produce a lethal current under certain conditions. Higher voltages pose an even greater threat because such voltage can more easily produce a lethal current. Your normal work habits should include all accepted practices to prevent contact with exposed high voltage, and to steer current away from your heart in case of accidental contact with a high voltage. You will significantly reduce the risk factor if you know and observe the following safety precautions:

1. Don't expose high voltage needlessly. Remove housings and covers only when necessary. Turn off equipment while making test connections in high-voltage circuits. Discharge high-voltage capacitors after removing power.
2. If possible, familiarize yourself with the equipment being tested and the location of its high voltage points. However, remember that high voltage may appear at unexpected points in defective equipment.
3. Use an insulated floor material or a large, insulated floor mat to stand on, and an insulated work surface on which to place equipment; and make certain such surfaces are not damp or wet.
4. Use the time proven "one hand in the pocket" technique while handling an instrument probe. Be particularly careful to avoid contacting a nearby metal object that could provide a good ground return path.
5. When testing ac powered equipment, remember that ac line voltage is usually present on some power input circuits such as the on-off switch, fuses, power transformer, etc. any time the equipment is connected to an ac outlet, even if the equipment is turned off.

(continued on inside back cover)

**Instruction Manual
for
MODEL 4011A
5 MHz
FUNCTION
GENERATOR
with DIGITAL DISPLAY**

BK PRECISION®

22820 Savi Ranch Parkway • Yorba Linda, CA 92887-4610

TABLE OF CONTENTS

	page		page
TEST INSTRUMENT	SAFETY inside front cover	MAINTENANCE	15
INTRODUCTION .	5	Fuse Replacement	15
SPECIFICATIONS	6	Instrument Repair Service.....	15
CONTROLS AND INDICATORS	8	CUSTOMER SUPPORT	16
OPERATING INSTRUCTIONS	10	WARRANTY SERVICE INSTRUCTIONS ...	17
Frequency and Waveform Selection.....	10	LIMITED TWO-YEAR WARRANTY	18
Considerations	11	SPANISH MANUAL	20
Duty Cycle Control	12		
TTL/CMOS Output	13		
Voltage Controlled Frequency Operation	13		
Output Protection Guidebook.....	14		

INTRODUCTION

The **B+K Precision** Model 4011A Function Generator is a versatile signal source which combines several functions into one unit. Additionally, the instrument provides the added convenience of a built-in frequency counter. This permits more accurate determination of output frequency than is possible with a simple calibrated dial. Coarse and fine tuning controls permit precision settability of the output frequency. High stability assures that the output frequency does not drift.

With this versatility, the unit has a vast number of applications in both analog and digital electronics in the engineering, manufacturing, servicing, educational, and hobbyist fields.

The heart of the function generator is a VCG (voltage-controlled generator) that produces precision sine, square, or triangle waves over the 0.5Hz to 5MHz range. This encompasses subaudible, audio, ultrasonic, and RF applications. A continuously variable dc offset allows the output to be injected directly into circuits at the correct bias level.

Variable symmetry of the output waveform converts the instrument to a pulse generator capable of generating rectangular waves or pulses, ramp or sawtooth waves, and slewed sine waves.

In addition to the above features, an external signal may be used to sweep the output frequency or control operating frequency. This is useful in situations where an externally controlled frequency is desirable.

SPECIFICATIONS

FREQUENCY CHARACTERISTICS

Waveforms

Sine, Square, Triangle, \pm Pulse, \pm Ramp

Range

0.5Hz to 5MHz in 7 ranges

Resolution

4 digits

Tuning Range

Coarse: 10:1, Fine: $\pm 5\%$ of Coarse Setting

Variable Duty Cycle

15:85:15 Continuously Variable

Operating Modes

Normal, VCG (Voltage Controlled Generator)

Frequency Stability

Output frequency will not change more than 0.09% in 15 minutes after 1 hour warmup.

OUTPUT CHARACTERISTICS

Impedance

50 Ω $\pm 10\%$

Level

20V p-p Open-circuit, 10V p-p into 50 Ω

Amplitude Control

Variable, 20dB range typical

Attenuation

-20 dB ± 1 dB

DC Offset

Preset: ± 0.1 V typical

Variable: ± 10 V open-circuit, ± 5 V into 50 Ω

SINE WAVE

Distortion

3% typical at 1kHz

Flatness

$\pm 5\%$ (.45 dB)

SQUARE WAVE

Symmetry

0.5Hz to 100kHz $\leq 2\%$

Rise Time

≤ 20 nS

TRIANGLE WAVE

Linearity

$\geq 98\%$ to 100kHz

SPECIFICATIONS

TTL OUTPUT

Level	> 2.4V
Rise Time	≤20nS
Duty Cycle	50% typical

Time Base Accuracy	±10 PPM (23 °C ±5 °C)
Display	4 digit LED

CMOS OUTPUT

Max Frequency	2MHz
Level	4V to 14V ±0.5V p-p, Continuously variable
Rise Time	≤120nS

POWER SOURCE

120 / 230VAC ±10%, 50 / 60Hz, internal jumper selectable

DIMENSIONS (H x W x D)

10-3/8" x 3-3/8" x 11-7/16" (26.4cm x 8.6cm x 29.1cm)

VCG (Voltage Controlled Generator) INPUT

Input Voltage	0 - 10V ±1V causes a 100:1 frequency change
Impedance	10 kΩ ±5%

WEIGHT

4 lb. (1.8 kg.)

FREQUENCY COUNTER

Accuracy	
Time Base Accuracy	±1 count

ACCESSORIES

Instruction Manual
Output Cable, BNC to Alligator Clips

NOTE: Specifications and information are subject to change without notice. Please visit www.bkprecision.com for the most current product information.

CONTROLS AND INDICATORS

FRONT PANEL (Refer to Fig. 1)

1. **POWER Switch.** Turns power on and off.
2. **RANGE Switch.** Selects output frequency range. Seven ranges from 5Hz to 5MHz. Switch indicates maximum frequency of range and is adjusted with COARSE FREQUENCY control to 0.1 times the maximum. For example, if the 500kHz range is selected, the output frequency can be adjusted from 50kHz to 500kHz.
3. **FUNCTION Switch.** Selects sine, square, or triangle waveform at OUTPUT jack.
4. **OUTPUT LEVEL Control.** Controls the amplitude of the signal at the OUTPUT jack. Output level can be decreased by approximately 20 dB with this control.
5. **DC OFFSET Control.** Enabled by the DC OFFSET Switch (12). Clockwise rotation from center changes the DC offset in a positive direction while counterclockwise rotation from center changes the DC offset in a negative direction.
6. **OUTPUT Jack.** Waveform selected by FUNCTION switch as well as the superimposed DC OFFSET voltage is available at this jack.
7. **TTL/CMOS Jack.** TTL or CMOS square wave, depending on the position of the CMOS LEVEL switch (13) is output at this jack. This output is independent of the OUTPUT LEVEL and DC OFFSET controls.
8. **CMOS LEVEL Control.** Rotating this control clockwise increases the amplitude of the CMOS square wave at the TTL/CMOS jack.
9. **VCG Jack.** Voltage Controlled Generator input. Permits external control of generator output frequency by a DC voltage input at this jack. A positive voltage will decrease frequency.
10. **DUTY CYCLE Control.** Enabled by the DUTY CYCLE Switch (14). Rotation from center position adjusts the duty cycle of the main OUTPUT signal.
11. **-20dB Switch.** When engaged, the signal at the OUTPUT jack is attenuated by 20dB.
12. **DC OFFSET Switch.** When engaged, enables operation of the DC OFFSET control (5).

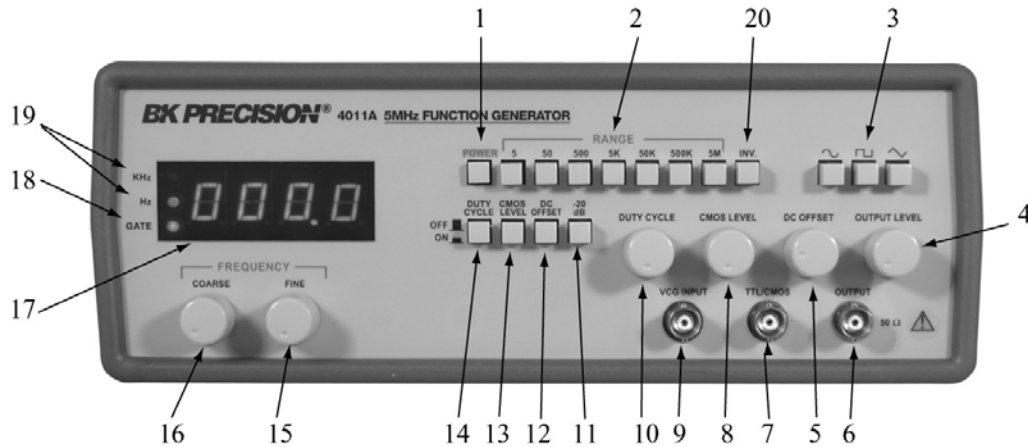


Figure 1. Model 4011A Controls and Indicators.

- 13. **CMOS LEVEL Switch.** When engaged, changes the TTL signal to CMOS signal at the TTL/CMOS jack.
- 14. **DUTY CYCLE Switch.** When engaged, enables operation of DUTY CYCLE control (10).
- 15. **FINE FREQUENCY Control.** Vernier adjustment of the output frequency for ease of setting frequency.
- 16. **COARSE FREQUENCY Control.** Coarse adjustment of the output frequency from 0.1 to 1 times the selected range.
- 17. **COUNTER DISPLAY.** Displays frequency of internally generated waveform.
- 18. **GATE LED.** Indicates when the frequency counter display is updated. When the 50K through 5M ranges are selected, the LED will flash 10 times per second (every 0.1 seconds). When the 50 through 5K ranges are selected, the LED will flash once every second and when the 5 range is selected, the LED will flash every 10 seconds. As the LED turns off, the display is updated.
- 19. **Hz and KHz LED.** Indicates whether the counter is reading in Hz or kHz.
- 20. **Inverter Switch**

OPERATING INSTRUCTIONS

The **B+K Precision** Model 4011A Function Generator is a versatile instrument, capable of producing a variety of output waveforms over a broad range of frequencies. To gain a working familiarity with the unit, it is recommended that it be connected initially to an oscilloscope, so that the effects of the various controls on the output waveforms can be observed. Use this manual as required for reference until becoming accustomed to the operating procedures.

FREQUENCY AND WAVEFORM SELECTION

1. Initially, verify that the **DUTY CYCLE** (14), **CMOS LEVEL** (13), **DC OFFSET** (12), **-20dB** (11) switches are in the **OUT** position (released). This will produce a symmetrical waveform unaffected by the other controls.
2. Plug the unit into an appropriate power source and turn it on by engaging the **POWER** switch (1).
3. Select the desired waveform (**SINE**, **SQUARE**, or **TRIANGLE**) by engaging one of the **FUNCTION** switches (3). Phase relationships of the waveforms are shown in Fig. 2.
4. Select the frequency of the waveform by engaging one of the **RANGE** switches (2). The output frequency is displayed, along with the appropriate measurement units, kHz or Hz (19), on the LED display.
5. Rotate the **COARSE** (16) frequency control to quickly set the output frequency to the approximate desired value. The **FINE** (15) frequency control can then be used to easily set the output to the specific desired value. The frequency selected is available at the **OUTPUT** jack (6). In addition, a digital signal, either **TTL** or **CMOS** is available at the **TTL/CMOS** jack (7) (refer to the "TTL/CMOS OUTPUT" section of this manual).

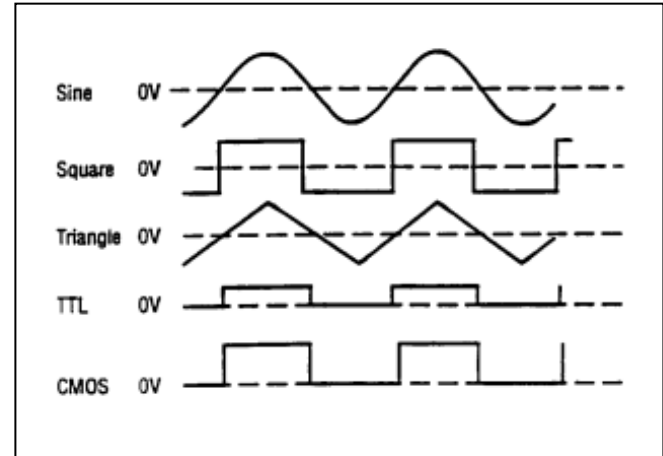


Figure 2. Output Waveform and Phase Relationship

6. Adjust the amplitude of the output as desired using the **OUTPUT LEVEL** control (4). Rotation of this control varies the amplitude from maximum to 20dB below maximum. An additional attenuation of -20dB is available by pushing in the **-20dB** switch (11). The attenuation factors can be combined for a total of -40dB. The maximum signal level is 10V p-p (into 50 Ω).

OPERATING INSTRUCTIONS

7. A superimposed DC component can be added to the output signal by engaging the **DC OFFSET** switch (12) to enable operation of the **DC OFFSET** control (5). Rotation of this control adds a positive or negative DC component to the output signal. The DC component introduced is independent of the **OUTPUT LEVEL** control and can be varied by ± 10 volts open circuited or ± 5 volts into 50Ω . The DC Offset does not affect the **TTL/CMOS** output jack. The effect of DC OFFSET is shown in Fig. 3.

CONSIDERATIONS

1. Counterclockwise rotation of the **COARSE** frequency control decreases the output frequency to approximately one-tenth of the maximum for the range selected (10:1). For example, if the **50K** range is selected and the **COARSE** frequency control is set to full counterclockwise, the output frequency is approximately **5kHz**.
2. It is advisable to set the **FINE** frequency control to the approximate center of its rotation before setting the **COARSE** frequency control. This assures that the **FINE** control will not reach its limit while trying to finalize the frequency setting.
3. The **FINE** frequency control provides approximately $\pm 5\%$ frequency deviation from the **COARSE** control setting. This provides vernier adjustment to easily set the frequency to a precise value.
4. When the **5Hz** range is selected, the gate time is 10 seconds and the display is updated once every 10 seconds. The result of a frequency change will not be displayed until 10 seconds later. Adjust the frequency in progressively smaller steps, waiting for the display to update until the desired frequency is obtained.
5. When outputting square waves or when using the TTL output, terminate the cable into 50Ω to minimize ringing. Also, keep cables as short as possible.

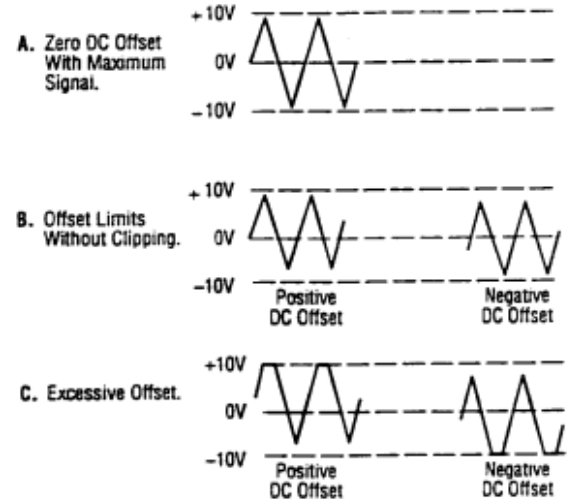


Figure 3. Use of DC OFFSET Control

6. Remember that the output signal swing of the generator is limited to ± 10 volts open circuited or ± 5 volts into 50Ω , and applies to the combined peak-to-peak signal and DC offset. Clipping occurs slightly above these levels. Fig. 3 illustrates the various operating conditions encountered when using the DC offset. If the desired output signal is large or if a large DC offset is required, an oscilloscope should be used to make sure that the desired signal is obtained without undesirable clipping.

OPERATING INSTRUCTIONS

DUTY CYCLE CONTROL

The **DUTY CYCLE** control can be used to alter the symmetry of the output waveform, to produce waveshapes such as those shown in Fig. 4. For a square wave, symmetry variation amounts to changing the duty cycle (ratio of "high" to "low" time), effectively converting the instrument into a pulse generator. For a triangle wave, the result is a ramp, and with a sine wave, a distorted waveshape called a slewed sine is produced. The Model 4011A provides for symmetry variation from 15% to 85%.

1. Select the waveform desired either SINE, SQUARE or TRIANGLE.
2. Engage the **DUTY CYCLE** switch (14) and adjust the **DUTY CYCLE** control (10) for the desired waveshape. Clockwise rotation from center results in an increase in square wave duty cycle, and changes the sine and triangle waves as shown in the top waveform of each pair of Fig. 4. Counter-clockwise rotation results in the bottom waveform in each pair.
3. Varying the duty cycle setting results in a slight change in frequency. Adjust the **COARSE** and **FINE** frequency controls as required.

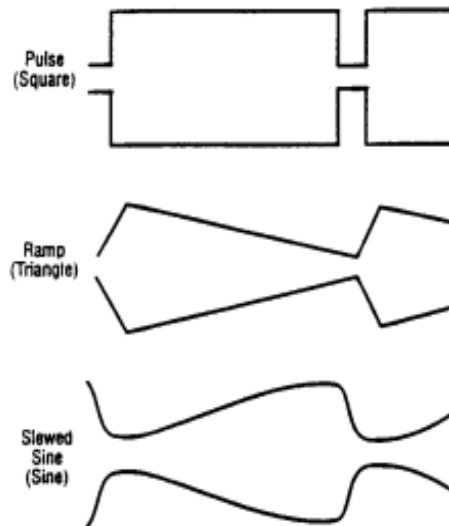


Figure 4. Effects of Symmetry Variation.

OPERATING INSTRUCTIONS

TTL/CMOS OUTPUT

The **TTL/CMOS** output jack provides a fast rise time square wave output. Either a fixed TTL or a variable CMOS output level is available. The output is positive with respect to ground and can be used as an external sync pulse for oscilloscopes or as a variable frequency signal source for exercising logic circuits. Because of the fast rise time of this output, cable length should be minimized to limit ringing and overshoot.

1. Select the desired frequency range and adjust the frequency controls as required. The **OUTPUT LEVEL** and **DC OFFSET** controls have no effect on the signal at the **TTL/CMOS** jack.
2. When the **CMOS LEVEL** switch (13) is OFF, a TTL signal is output at the **TTL/CMOS** jack. Select a CMOS signal by engaging the **CMOS LEVEL** switch and adjust the level of the signal by rotating the **CMOS LEVEL** control (8).

VOLTAGE CONTROLLED FREQUENCY OPERATION

The Model 4011A can be operated as a voltage-controlled generator by using an external control voltage applied to the **VCG INPUT** jack. The externally applied voltage will vary the frequency which is preselected by the range switches and the frequency controls. Applying approximately +10 V with the **COARSE** control at full clockwise decreases the output frequency by about 100 times (a 100:1 ratio).

1. Select the desired frequency range and waveform.
2. Set the starting frequency with the **COARSE** control. Apply a positive DC voltage to the **VCG INPUT** jack (9) to decrease the frequency. A voltage from 0 to +10V will cause the frequency to decrease by a factor of 100 if the **COARSE** frequency control is set at maximum CW rotation. For example, if the starting frequency is 500kHz, applying +10V will change the output frequency to 5kHz.

3. To operate the function generator as a sweep generator, apply a positive going ramp signal to the **VCG INPUT** jack. As the ramp voltage increases, the frequency decreases. The rate of sweep can be adjusted by varying the frequency of the ramp signal.
4. Specific frequencies can be selected by applying a fixed dc voltage to the **VCG INPUT** jack or the frequencies can be stepped by applying a stepped dc voltage.
5. Do not apply more than ± 15 volts (dc or dc + ac peak) to the **VCG INPUT** jack. Inputs of more than 15 volts will not cause any further shift in the frequency and could cause damage to the generator.

OUTPUT PROTECTION CONSIDERATIONS

Use care when connecting the function generator output to a signal injection point. Excessive voltage at the point of signal injection of the function generator can cause internal damage. Under normal operation, the generator output should never be connected to an external voltage other than low dc values that can be matched with the **DC OFFSET** control. The Model 4011A is overload protected so that shorting the output, even continuously, will not cause damage. A fuse has been added in series with the **OUTPUT** jack to help protect the instrument from damage by connection to excessive external voltage.

Damage of this type usually occurs by accidentally connecting the output of the function generator to a voltage in the equipment under test. The following protective measures are strongly recommended:

1. The user should understand the equipment under test well enough to identify valid signal injection points (i.e., the base of a transistor, a logic input of a gate, etc.). The voltage at valid signal injection points is rarely high enough to damage the instrument.

OPERATING INSTRUCTIONS

2. If in doubt about the safety of a signal injection point, measure the voltage present at the intended point of signal injection before connecting the function generator output to that point.
3. When applying the main output of the function generator to a circuit point containing a dc level, adjust the **DC OFFSET** control so that the dc level at the main output matches the circuit voltage.
4. Connect the **TTL** output only to TTL-level circuits. Connect the **CMOS** output only to CMOS circuits. Measure the V_{cc} of the circuit under test and adjust the **CMOS LEVEL** control as instructed in the manual.
5. When the function generator is used by students or other inexperienced users, the circuit of Fig. 5 could be added into your TTL output probe or test clip set. It will protect the TTL output of the generator against external voltages up to ± 20 volts.

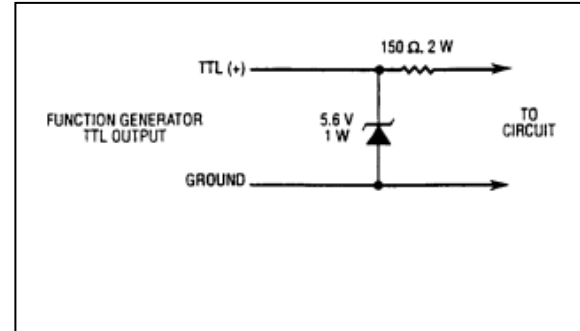


Figure 5. Circuit for Protection of TTL Output.

FUNCTION GENERATOR APPLICATIONS GUIDEBOOK

B+K Precision offers a “Guidebook to Function Generators” which describes numerous applications for this instrument, including hook-up details. It also includes a glossary of function generator terminology and an explanation of function generator circuit operation. It may be downloaded off our website at www.bkprecision.com.

MAINTENANCE

WARNING

The following instructions are for use by qualified service personnel only. To avoid electrical shock, do not perform servicing other than contained in the operating instructions unless you are qualified to do so.

Remember that ac line voltage is present on line voltage input circuits any time the instrument is plugged into an ac outlet, even if turned off. Always unplug the function generator before performing service procedures.

FUSE REPLACEMENT

1. Locate the fuse holder on the input line receptacle.
2. Remove the fuse holder and replace the fuse with an equal value fuse

INSTRUMENT REPAIR SERVICE

Because of the specialized skills and test equipment required for instrument repair and calibration, many customers prefer to rely upon **B+K PRECISION** for this service. We maintain a network of **B+K PRECISION** authorized service agencies for this purpose. To use this service, even if the instrument is no longer under warranty, follow the instructions given in the WARRANTY SERVICE INSTRUCTIONS portion of this manual. There is a nominal charge for instruments out of warranty.

CUSTOMER SUPPORT

1-800-462-9832

B+K Precision offers courteous, professional technical support before and after the sale of their test instruments. The following services are typical of those available from our toll-free telephone number:

- Technical advice on the use of your instrument.
- Technical advice on special applications of your instrument.
- Technical advice on selecting the best instrument for a given task.
- Information on optional accessories for your instrument.
- Information on instrument repair and recalibration services.
- Replacement parts ordering.
- Availability of service publications.
- Information on other **B+K Precision** instruments.
- Requests for a new **B+K Precision** catalog.
- The name of your nearest **B+K Precision** distributor.

Call toll-free 1-800-462-9832

Monday through Thursday, 8:00 A.M. to 5:00 P.M, Friday 8:00 A.M. TO 11:30 A.M.

Pacific Standard Time
(Pacific Daylight Time summer)



Service Information

Warranty Service: Please return the product in the original packaging with proof of purchase to the address below. Clearly state in writing the performance problem and return any leads, probes, connectors and accessories that you are using with the device.

Non-Warranty Service: Return the product in the original packaging to the address below. Clearly state in writing the performance problem and return any leads, probes, connectors and accessories that you are using with the device. Customers not on open account must include payment in the form of a money order or credit card. For the most current repair charges please visit www.bkprecision.com and click on “service/repair”.

Return all merchandise to B&K Precision Corp. with pre-paid shipping. The flat-rate repair charge for Non-Warranty Service does not include return shipping. Return shipping to locations in North America is included for Warranty Service. For overnight shipments and non-North American shipping fees please contact B&K Precision Corp.

B&K Precision Corp.
22820 Savi Ranch Parkway
Yorba Linda, CA 92887
www.bkprecision.com
714-921-9095

Include with the returned instrument your complete return shipping address, contact name, phone number and description of problem.

Limited Two-Year Warranty

B&K Precision Corp. warrants to the original purchaser that its products and the component parts thereof, will be free from defects in workmanship and materials for a period of two years from date of purchase.

B&K Precision Corp. will, without charge, repair or replace, at its option, defective product or component parts. Returned product must be accompanied by proof of the purchase date in the form of a sales receipt.

To obtain warranty coverage in the U.S.A., this product must be registered by completing a warranty registration form on www.bkprecision.com within fifteen (15) days of purchase.

Exclusions: This warranty does not apply in the event of misuse or abuse of the product or as a result of unauthorized alterations or repairs. The warranty is void if the serial number is altered, defaced or removed.

B&K Precision Corp. shall not be liable for any consequential damages, including without limitation damages resulting from loss of use. Some states do not allow limitations of incidental or consequential damages. So the above limitation or exclusion may not apply to you.

This warranty gives you specific rights and you may have other rights, which vary from state-to-state.

B&K Precision Corp.
22820 Savi Ranch Parkway
Yorba Linda, CA 92887
www.bkprecision.com
714-921-9095

MODEL 4011A

DATE PURCHASED _____

TEST INSTRUMENT SAFETY

(continued from inside front cover)

6. Some equipment with a two-wire ac power cord, including some with polarized power plugs, is the “hot chassis” type. This includes most recent television receivers and audio equipment. A plastic or wooden cabinet insulates the chassis to protect the customer. When the cabinet is removed for servicing, a serious shock hazard exists if the chassis is touched. Not only does this present a dangerous shock hazard, but damage to test instruments or the equipment under test may result from connecting the ground lead of most test instruments to a “hot chassis”. To test “hot chassis” equipment, always connect an isolation transformer between the ac outlet and the equipment under test. The **B+K Precision** Model TR-110 or 1604 Isolation Transformer, or Model 1653 or 1655 AC Power Supply is suitable for most applications. To be on the safe side, treat all two-wire ac equipment as “hot-chassis” unless you are sure it has an isolated chassis or an earth ground chassis.
7. On test instruments or any equipment with a 3-wire ac power plug, use only a 3-wire outlet. This is a safety feature to keep the housing or other exposed elements at earth ground.
8. Never work alone. Someone should be nearby to render aid if necessary. Training in CPR (cardio-pulmonary resuscitation) first aid is highly recommended.

SEGURIDAD DE EL INSTRUMENTO DE PRUEBA

PRECAUCIONES

Use normal de equip de probe tee espouse a caret cantina de peligro por un choque eléctrico porque revisiones son algunas veces hechas donde hay alto voltaje descubierto. Un choque eléctrico que cause 10 milliamps pasar a través del corazón pararía la mayoría de los corazones humanos. Voltaje tan bajo hasta 30 voltios dc o ac rms podría ser considerado peligroso porque puede producir una corriente letal bajo ciertas condiciones. Voltajes mas altos pueden ser aun más peligrosos. Tus hábitos normales de trabajo deben de incluir todas las practicas aceptadas para prevenir contacto con alto voltaje descubierto, y dirigir corriente lejos del corazón en caso de contacto accidental con un alto voltaje. Observe las siguientes medidas de seguridad:

1. No se expone a alto voltaje sin necesidad. Remueva la caja y tapas solo cuando sea necesario. Apague el equipo cuando haga conexiones en circuitos de alto voltaje. Descargue los capacitadores de alto voltaje después de remover poder.
2. Si es posible, familiarícese usted mismo con el equipo que va ha ser revisado y los lugares de los puntos de alto voltaje. Pero, también recure que alto voltaje puede aparecer en puntos inesperados en equipo defectuoso.
3. Use un piso de material insuflado o un tapete de piso insuflado largo para caminar en él, y una superficie de trabajo insuflada en la cual pueda poner el equipo; y asegurarse que las superficies no esten humedas o mojadas.
4. Use la técnica comprobada por el tiempo de “una mano en la bolsa” cuando este usando una sonda de instrumento. Sea particularmente cuidadoso de evitar conectar un objeto de metal que pueda proveer un buen camino de regreso a tierra.
5. Cuando revise equipo conectado a ca, recure que la línea de voltaje ca es usualmente presente en algunos circuitos encendidos de entrada tal como el switch de encendido y apagado, fusibles, transformadores de poder, etc. cualquier tiempo que el equipo este conectado a una enchufe de ca, aun si el equipo esta apagado.

(continuó la cubierta de espalda)

MANUAL DE INSTRUIONES
MODELO 4011A
5MHz GENERADOR DE FUNCIONES
CON DIGITOS INDICADOR

BK PRECISION

22820 Savi Ranch Parkway • Yorba Linda, CA 92887-4610

TABLA DE CONTENIDO

SEGURIDAD DEL INSTRUMENTO DE PRUEBA		Operación de voltaje controlada frecuencia.....	31
INTRODUCCION	23	Consideraciones de protección de salida.....	31
ESPECIFICACIONES	25	Guía de aplicaciones del generador de funciones.....	32
CONTROLESE INDICADORES	26	MANTENIMIENTO	33
INSTRUCCIONES DE OPERACIÓN.....	28	Reemplazo de fusible.....	33
Selección de frecuencia y forma de onda	28	Servicio de reparación del instrumento.....	33
Consideraciones	29	Servicio al cliente.....	33
Control de ciclo de servicio.....	30	SOPORTE AL CLIENTE.....	34
Salida para TTL/CMOS	31	Información de Servicio	35
		Garantía Limitada de Dos Anos.....	36

INTRODUCCIÓN

El B & K Precision modelo 4011A Funcion generador es una versátil fuente de señales cual combina varias funciones en una unidad- generador de formas de onda, generación de pulso (atravez de simetria variable), y barrido de frecuencia. Adicionalmente, el instrumento provee la conveniencia adicional de un incluido contador de frecuencia. Esto permite mas precisa determinacion de la frecuencia de salida que se posible con un simple calibrado medidor. Controles de ajuste grueso y fino permiten ajuste de precision de la salida de frecuencia. La alta estabilidad asegura que la frecuencia de la salida no mandila. Con esta versatilidad, la unidad tiene un amplio numero de aplicaciones en ambos analogo y digital electronica en los campos de ingeniería, manufactura, servicio, educación y recreación.

El corazón de el generador de funciones es un VCG (voltaje-controlado generador) que produce ondas de seno, cuadradas y

triangulares desde los 0.5Hz hasta 5MHz rango. Esto en compasa subaudible, sonido, untrasonido, ultrasonico y RF aplicaciones. Un continuamente variable compensación de cd permite a la salida ser inyectada dentro de circuitos al el correcto nivel medio.

El generador de barrido ofrece linear y logarítmico barrido con un rango variable de barrido y tiempo de barrido ajustable. El tablero de control delantero permite el ajuste de comienzo y alto de frecuencias.

Operación estallido permite la salida a ser bloqueada, por una interna, ajustable señal o por una señal aplicada externamente.

simetria variable de la onda de forma de salida convierte el instrumento en un generador de pulsos capaz de generar ondas rectangulares o impulsos, rampas,o diente de cerrucho ondas, y ondas inclinadas de seno.

En adicion a las características mencionadas, un voltaje externo puede ser usado para controlar la frecuencia de operacion.

ESPECIFICACIONES

CARACTERÍSTICAS DE FRECUENCIA

Formas de onda:

seno, cuadrada, triangular \pm -Impulso, \pm rampa

Rango:

0.5Hz a 5MHz en 7 rangos

Resolución

4 dígitos

Afinación rango:

gruesco 10:1, Fino \pm 5% de posición gruesa

Variable ciclo de servicio:

15:85:15 continuamente variable

Modos de operación:

normal, barrido, VCG, AM, FM estallido

Estabilidad de frecuencia:

la salida cambiara menos que 0.09% sobre 15 minutos
después de 1 hora de calentamiento

CARACTERÍSTICAS DE SALIDA

Impedancia:

50 OHM \pm 10%

Nivel:

20Vp-p circuito abierto, 10Vp-p dentro de
50 OHM a 10MHz

Amplitud control:

Variable 20db rango típico

Atenuación:

-20db \pm 1db

DC compensación :

Preset: \pm 0.1V típico

Variable \pm 10V circuito abierto, \pm 5V Dentro 50 Ω

ONDA SENO

Distorsión:

\leq 3% Típico a 1KHz

Flares

\leq 5% (.45DB)

ONDA CUADRADA

Simetría :

\leq 2% 0.5Hz a 100KHz

Tiempo de elevación

\leq 120ns

ONDA TRIANGULAR

Linealidad:

\geq 98% a 100KHz

ESPECIFICACIONES

SALIDA TTL

Nivel	0.8V a 4V +0.5Vp-p
Tiempo de elevación	≤20ns
Ciclo de servicio:	50% típico

CMOS SALIDA

Max frecuencia:	2Mhz
Nive:	4V a 14 V +/-0.5Vp-p continuamente variable
Tiempo de elevación	≤ 20nS

VCG(GENERADOR DE VOLTAJE CONTROLADOR)

ENTRADA

Voltaje de entrada	:0-10V ±1V causa un 100:1 cambio de frecuencia
Impendencia	:10kOhm ±5%

CONTADOR DE FRECUENCIA

Precision:

precisoín de tiempo base ± 1 count
precisoín de tiempo base
+/- 10 ppm (23°C ± 5°C)

Pantalla

4 dígitos LED

FUENTE DE PODER

120/230 VAC ± 10% 50/60hz seleccionable bricandor
inarno

DEMESIONE

4.5" x 10.575" x 11.75" (114 x 264 x 298 mm)

PESO

4 LB (1.8 kg)

ACCESORIOS

Cable de salida BNC a clips de cocodrilo
Manual de instrucción

NOTA: Las especificaciones y la información están conforme a cambio sin el aviso de B&K Precision Corp. Por favor visite www.bkprecision.com para las especificaciones más corriente y información de nuestros productos.

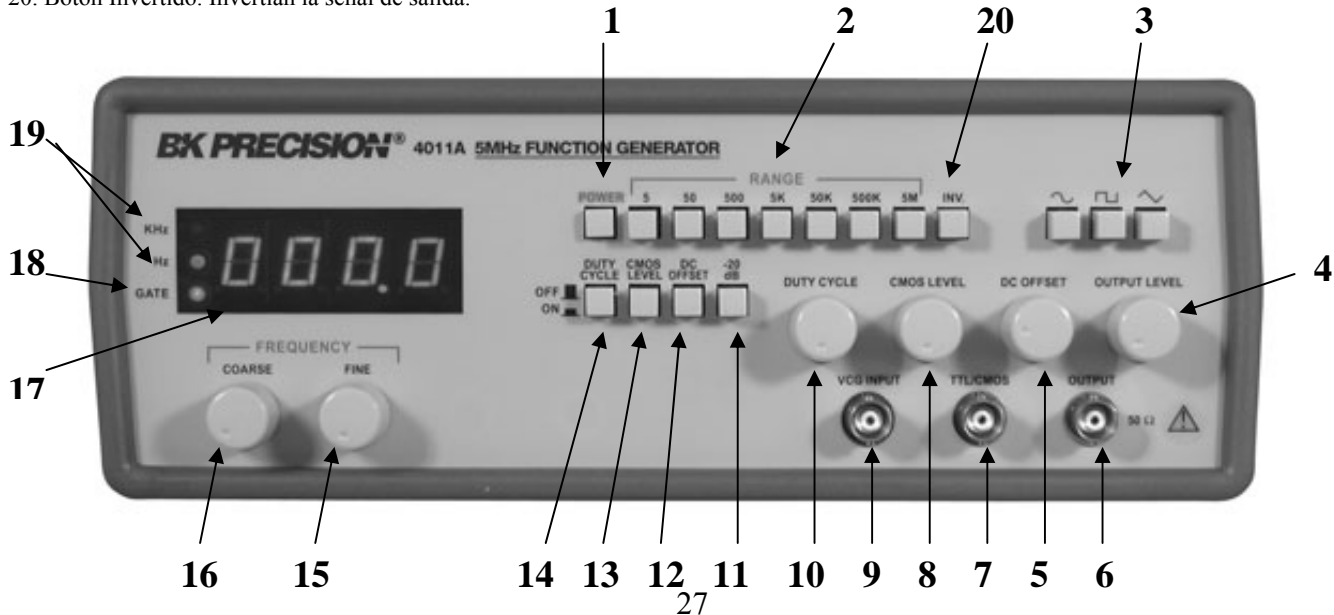
CONTROLES E INDICADORES

PANEL DELANTERO (Vea a al Fig 1)

1. INTERRUPTOR DE ENCENDIDO. Enciende y apaga el poder.
2. SWITCH DE RANGO. Selecciona el rango de la frecuencia de salida. 7 rangos de 5Hz a 5MHz. El switch indica la máxima frecuencia de rango y es ajustado con el control grueso de frecuencia a 0.1 veces el máximo. Por ejemplo, si el rango de 500KHz es seleccionado, la salida de frecuencia puede ser ajustada de 50KHz a 500KHz
3. SWITCH DE FUNCIONES. Selecciona seno, cuadrada, triangular forma de onda al jack de salida.
4. CONTROL DE NIVEL DE SALIDA. Controla la amplitud de la señal al jack de salida. El nivel de salida puede ser disminuido por aproximadamente 20 dB con este control
5. CONTROL DE LA COMPENSACIÓN CD. Activado por el cd compensación switch (12). Rotación en la dirección de las manecillas de el reloj desde el centro cambia la compensación de cd en la dirección positiva cuando rotación en contra de las manecillas del reloj desde el centro cambia la compensación de cd en la dirección negativa.
6. JACK DE SALIDA. Forma de onda seleccionada por el switch de funciones como también como el sobre impuesto voltaje de compensación cd esta disponible en este jack.
7. TTL/CMOS jack. TTL o CMOS onda cuadrada, dependiendo en la posición de el switch (13) de el nivel CMOS, sale de este jack. Esta salida es independiente del NIVEL DE SALIDA y
8. CONTROL DE NIVEL CMOS. Girando este control en la dirección de las manecillas de el reloj aumenta la amplitud de la señal CMOS a el TTL/CMOS jack.
9. VCG jack de entrada. Jack es el voltaje controlado generador de salida y permite control externo de el generador de la frecuencia de salida por una entrada de voltaje cd en este jack. Un voltaje positivo disminuirá la frecuencia.
10. CONTROL DE EL CICLO DE SERVICIO. Activado por el ciclo de servicio switch(14). Rotación desde la posición central ajusta el ciclo de servicio de la señal de la salida principal.
11. -20 DB SWITCH. Cuando accionado, la señal al jack de salida es atenuada por -20 dB.
12. SWITCH DE COMPENSACIÓN DE CD. Cuando accionado, permite la cooperación de el control de compensación de cd(5).
13. SWITCH DE NIVEL DE CMOS. Accionado, cambia la señal TTL a señal CMOS a el TTL/CMOS jack y permite la cooperación de el control de nivel CMOS.
14. INTERRUPTOR DE CICLO DE SERVICIO. Cuando enganche, permite la operación del control de CICLO de servicio(10).
15. Control FINO DE FRECUENCIA. Ajustes de vernier de la frecuencia de salida para un ajuste fácil de frecuencia.

CONTROLES E INDICADORES

16. Control GRUESO DE FRECUENCIA. Ajuste grueso de la frecuencia de salida de 0.1 a 1 veces el rango seleccionado.
17. PANTALLA DE EL CONTADOR. Muestra la frecuencia de formas de onda generadas internamente.
18. LED PUERTA. Indica cuando la pantalla de el contador cambia. Cuando los 50KHz a 5MHz rangos son seleccionados, el LED relampaguea 10 veces por segundo (cada 0.1 segundos). Cuando el 50 hasta 5K rango es seleccionado la LED relampaguea una vez cada segundo y cuando el rango 5 es seleccionado, la LED relampaguee cada 10 segundos. Cuando la LED se apaga, la pantalla cambia.
19. Hz y KHz LED. Indica si el contador esta leyendo Hz o kHz.
20. Botón Invertido. Invertían la señal de salida.



INSTRUCCIONES DE OPERACION

El B&K Precison Modelo 4011A Barrido/Funcion generador es un instrumento versátil, capaz de producir una variedad de formas de onda a través un ancho rango de frecuencias. Para ganar una buena familiaridad con esta unidad, es recomendable que este conectada inicialmente a un osciloscopio, para que los efectos de los varios controles en las formas de onda que son generadas puedan ser observadas. Use este manual como se requiera para referencia hasta que llegue a acostumbrarse a los procedimientos de cooperación.

SELECCION DE FRECUENCIA Y FORMA DE ONDA

1. Inicialmente, verifique que el ciclo de servicio (14), Nivel CMOS(13), CD ajuste(12), -20dB(11), y BARRIDO EXT/INT (12), switches están en la posición abierta. Esto le producirá una onda de forma simétrica no afectada por el generador de barrido y otros controles.
2. Enchufe la unidad en la apropiada fuente de energía y préndalo oprimiendo el switch de POWER (1).
3. Seleccione la onda de forma deseada (seno, cuadrado, triangulo) oprimiendo uno de los switches de la FUNCION(3). Relaciones de fase de las formas de onda son mostradas en la figura 2.
4. Seleccione la frecuencia de la onda de forma oprimiendo uno de los switches de rango(2). La frecuencia de salida es mostrada, junto con las unidades de medida apropiadas, KHz,0 Hz (19), on el LED indicador.
5. Mueva el GRUESO (16) control de frecuencia para rápidamente controlar la frecuencia de salida al valor deseado aproximado. El FINO(15) ajustes de vernier de la frecuencia de salida para un ajuste fácil de frecuencia. La frecuencia seleccionada esta disponible at the OUTPUT jack (6). En adición, una señal digital, sea TTL o CMOS esta disponible a los TTL/CMOS jack (7) (referir a los "TTL/CMOS OUTPUT" sección de este manual

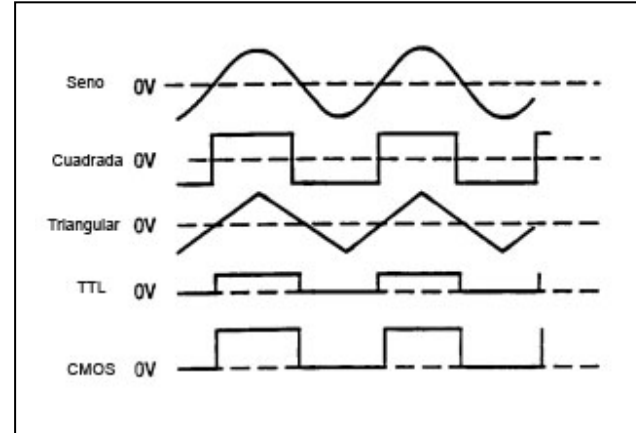


Fig 2

6. Ajuste la amplitud de la salida como desee usando el OUTPUT LEVEL (Nivel de salida) control (4). Rotación de este control varia la amplitud desde el máximo hasta 20dB debajo del máximo. Una atenuación adicional de -20dB esta disponible oprimiendo el -20dB switch(11). Los factores de atenuación pueden ser combinados por un total de -40dB. El máximo nivel de señal es 10V p-p (dentro de 50).

INSTRUCCIONES DE OPERACION

- Un CD componente puede ser sumado a la señal de salida oprimiendo en la compensación de CD switch (12) para activar la cooperación del COMPENSACION CD control (5). Rotación de este control suma un positivo o negativo compensación CD componente a la señal de salida. El componente CD introducido es independiente de el control de el NIVEL DE SALIDA y puede ser variado por +/- 10 voltios circuito abierto o +/- voltios atraves de 50 ohms. La compensación de CD no afecta el TTL/CMOS salida jack. El efecto de la COMPENSACION CD is mostrado en Fig. 3.

CONSIDERACIONES

- Contra el reloj rotación del control de GRUESO frecuencia disminuye la frecuencia de salida hasta aproximadamente un-deceavo del máximo rango seleccionado. (10:1). Por ejemplo, si el 50K rango es seleccionado y el de frecuencia GRUESO es puesto a toda la rotación contra el reloj dirección., La frecuencia de salida is aproximadamente 5KHz.
- Es recomendado poner el control fino de frecuencia a aproximadamente el centro de su rotación antes del ajustamiento del GRUESO control de frecuencia. Esto asegura que el control FINO no alcanzara su limite cuando se trate de finalizar el arreglo de la frecuencia.
- El control fino de frecuencia provee aproximadamente +/- 5% desviado de frecuencia desde el GRUESO control ajuste. Esto provee vernier ajustes para fácilmente poner la frecuencia a un valor preciso.
- Cuando el 5Hz rango is seleccionado, el tiempo de la puerta es 10 segundos y el indicador es renovado una vez cada 10 segundos. El resultado de un cambio de frecuencia no será indicado hasta 10 segundos mas tarde. Ajuste la frecuencia en progresivamente pasos más pequeños, esperando por el indicador a cambiar hasta que la frecuencia deseada es obtenida.
- Cuando generando ondas cuadradas o cuando usando la salida de TTL, termine el cable en 50 ohms para disminuir resonación. También, use cables tan cortos como sea posible.

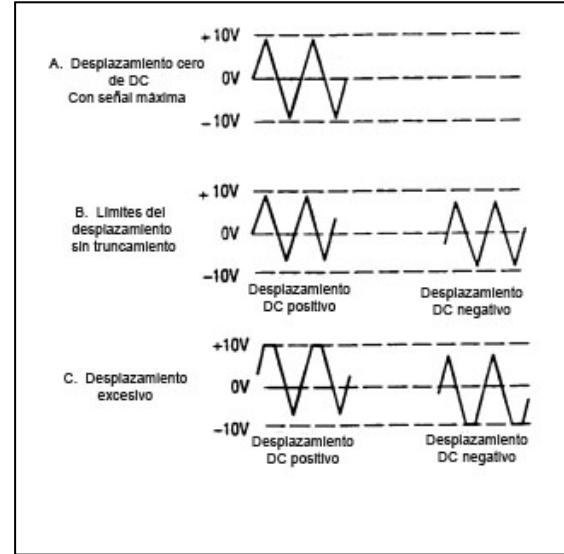


Figura 3. Uso del control de compensación DC

- Recuerde que la variación de la señal de salida de el generador esta limitado a +/- voltios circuito abierto o +/- voltios en 50 ohms, y aplica a el combinado pico-a-pico señal y la compensación deCD. Truncado ocurre ligeramente arriba de estos niveles. Fig. 3 ilustra las varias condiciones de cooperación encontradas cuando usando el ajuste CD. Si la señal de salida es larga o si una compensación de CD es requerida, un osciloscopio deberá de ser usado para asegurar que la señal deseada es obtenida sin el truncado no deseado.

INSTRUCCIONES DE OPERACION

CONTROL DE CICLO DE SERVICIO

El CICLO DE SERVICIO control puede ser usado para alterar la simetría de la forma de onda de salida, para producir ondas de forma tal como esas mostradas en Fig. 4. Por una onda cuadrada, la cantidad de variación de simetría a cambiar el ciclo servicio (factor de “alto” a “bajo” tiempo), efectivamente convirtiendo el instrumento en un generador de pulsos. Para una onda triangular, el resultado es una rampa, y con una onda de seno, una onda de forma distorsionada llamada seno inclinado es producida. El Modelo 4011A provee por la variación de simetría desde 15% hasta 85%.

1. Seleccione la onda de forma deseada sea SENO, CUADRADA, o TRIANGULAR.
2. Enganche el CICLO DE SERVICIO switch (14) y ajuste el CICLO DE SERVICIO control (10) para la deseada onda de forma. Con el reloj rotación desde el centro resulta en un incremento en una onda cuadrada, y cambios en las ondas de seno y triangulo es mostradas en la forma de arriba de cada par en Fig.4. Contra-el-reloj rotación resulta en las ondas de forma de abajo en cada par.
3. Variaciones del ciclo de servicio ajustamientos resulta en un ligero cambio en frecuencia. Ajuste el GRUESO y FINO controles de frecuencia como sea requerido.

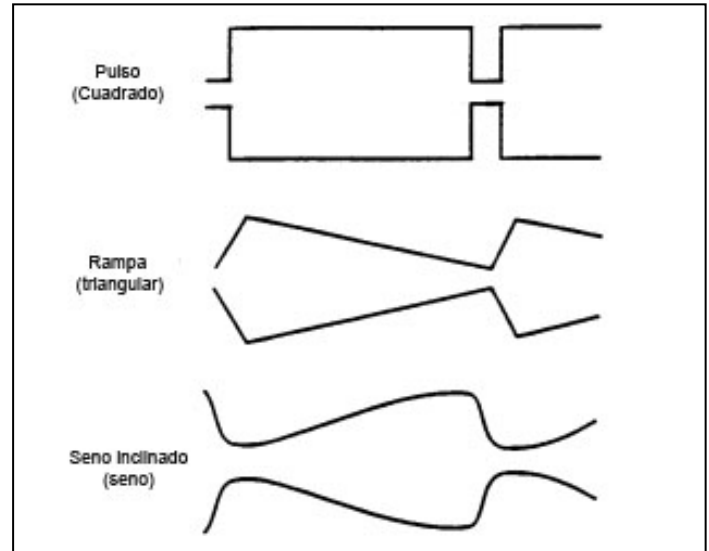


Figura 4 Efectos de variación desincentraima

INSTRUCCIONES DE OPERACION

TTL/CMOS SALIDA

El TTL/CMOS jack de salida provee un rapido tiempo de subida onda cuadrada de salida. Sea un fijo TTL o un variable CMOS nivel de salida esta disponible. La salida es positiva con respecto a tierra y puede ser usada como un pulso sync para osciloscopios o como una senal variable de frecuencia para ejercitando circuitos de logica. Por el rapido tiempo de subida de esta salida, lo largo de el cable debe de ser minimizado para limitar risonaciony sobretiro.

1. Seleccione el rango de frecuencia deseado y ajuste los controles de frecuencia como sea requerido. El OUTPUT LEVEL (nivel de salida) y DC OFFSET (compensacion de salida CD) controles no tienen efecto en la senal a el TTL/CMOS jack.
2. Cuando el CMOS LEVEL (nivel) switch (13) es desenganchado, una TTL senal es producida a el TTL/CMOS jack. Seleccione una CMOS senal accionando el CMOS LEVEL (nivel) switch y ajustando el nivel de la senal girando el CMOS LEVEL (nivel) control (8).

OPERACION DE LA VOLTAJE CONTROLADA FRECUENCIA

El modelo 4011A puede ser operado como un voltaje-controlado generador cuando se usa un externo controlado voltaje aplicado al VCG/MOD INPUT (entrada) jack . El externamente aplicado voltaje variara la frecuencia cual es preseleccionada por los switches de rango y los controles de frecuencia. Aplicando aproximadamente +10V con el GRUESO control a la vuelta completa con ladireccion del reloj disminuye la frecuencia de salida por cerca de 100 veces (un factor de100:1).

1. Seleccione el rango de frecuencia deseado y la forma de onda
2. Ajuste la frecuencia de comienzo con el GRUESO control. Aplique un voltaje CD positivo a el VCG INPUT jack(9) para disminuir la frecuencia. Un voltaje de 0 a +10 V hara que la frecuencia disminuya por un factor de100 si el GRUESO frecuencia control is arreglado a maximo CW (contra el reloj)rotacion. Por ejemplo, si la frecuencia de comienzo es 500 KHz, aplicando +10 V cambiara la frecuencia de salida a 5KHz.

3. Para usar el generador de funciones como un generador de barrido, aplique un positivo-dirijido senal de rampa al el VCG INPUT jack de entrada. Cuando el voltaje de rampa aumenta, la frecuencia disminuye. La velocidad de barrido puede ser ajustada variando la frecuencia de la senal de rampa.
4. epecificas frecuencias pueden ser seleccionadas aplicando un voltaje cd fijo al el VCG INPUT jack o las frecuencias pueden ser escalonado aplicando un escalonado voltaje cd .
5. No aplique mas de +/- 15 voltios (cd o cd + ca pico) a el VCG INPUT jack. Entradas de mas de 15 voltios no causarian nada mas cambio el la frecuencia y podria ocasionar dano a el generador.

CONSIDERACIONES DE PROTECCION DE SALIDA

Use cuidado cuando conecte la salida de el generador de funciones a un punto de injection de senales. Voltaje excesivo al el punto de injeccion de el generador de funciones puede causar dano interno. Bajo operacion normal, la salida de el generador nunca debe de ser conectada a un voltaje externo otro que bajo cd valores que puedan ser igualados con el COMPENSACION DE CD control. El Modelo 4011A esta protegido contra sobrecargos que aunque aparezca un corto circuito en la salida, aunque continuamente, no causaria dano. Un fusible ha sido anadido en series con el jack de SALIDA para ayudar a proteger el instrumento de dano por una coneccion a voltaje excesivo externo.

Dano de este tipo usualmente ocurre por accidentalmente conectando la salida de el generador de funciones a un voltaje en el equipo bajo prueba. Las siguientes medidas de proteccion son fuertemente recomendadas:

1. El usuario debe de entender el equipo bajo prueba lo suficiente bien para identificar validos puntos de injeccion de senales (e.g. la base de un transistor, una entrada logica de una compuerta, etc.) El voltaje en un valido punto de injeccion de senales es raramente suficiente alto para danar al instrumento.

INSTRUCCIONES DE OPERACION

- Si en duda acerca de la seguridad de un punto de inyección de señales, mida el voltaje presente en el punto de inyección de señales intentado antes de conectar la salida de el generador de funciones a este punto.
- Cuando aplique la salida principal de el generador de señales a un punto de un circuito que contenga un nivel de cd, ajuse el CD AJUSTE control para que el nivel de cd a la salida principal iguale el voltaje de el circuito.
- Conecte la salida de TTL solo a circuitos de TTL-nivel. Conecte la salida de CMOS solo a circuitos CMOS. Mida el Vcc de el circuito bajo prueba y ajuste el NIVEL CMOS control como sea instruido en el manual.
- Cuando el generador de funciones es usado por estudiantes u otros usuarios sin experiencia, el circuito mostrado en Fig. 5 puede ser anadido en su sonda de la salida TTL o el ajuste de clip de prueba. Esto protegera la TTL salida de el generador encontra de voltajes externos hasta +/- 20 voltios.

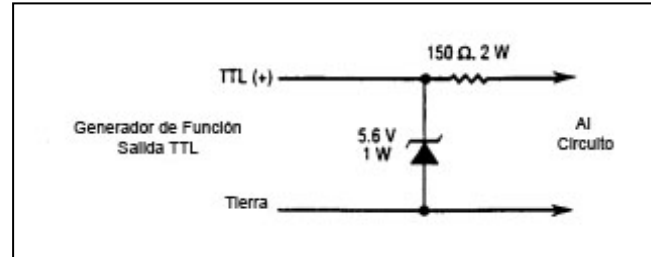


Figura 5 Salida deTTL generador de funciones Tierra al circuito

LIBRO GUIA DE APLICACIONES DE EL GENERADOR DE FUNCIONES

B &K Precision ofrece una “Guía del Generador de Funciones” que describe numerosas aplicaciones de este instrumento, incluyendo detalles de conexión. También incluye un glosario de la terminología del generador de funciones y una explicación de la operación de su circuito. Puede ser descargado gratis de nuestra Web site en www.bkprecision

MANTENIMIENTO

PRECAUCION

Las siguientes instrucciones son para uso solo por personal de servicio calificado. Para evitar choque electrico, no haga servicio otro que el contenido en las instrucciones de operacion a menos que este calificado para hacerlo.

Recuerde que linea de voltaje de ca esta presente sobre la linea de voltaje de entrada de los circuitos a cualquier tiempo que el instrumento esta enchufado en un enchufe de ca, hasta si esta apagado. Siempre desenchufe el generador de funciones antes de hacer procedimientos de servicio.

REEMPLAZO DE FUSIBLES

1. Localice el sostenedor de fusible en la linea de entrada.
2. Quite el sostenedor del fusible y dubstituya el fusible por un fusible de valor igual.

SERVICIO DE REPARACION DEL INSTRUMENTO

Debido a las especializadas habilidades y equipo de prueba requerido para la reparación y calibración del instrumento, muchos clientes prefieren depender en B & K Precisión para este servicio. Nosotros mantenemos una red de agencias de servicio autorizadas para este propósito. Para usar este servicio, aún si el instrumento ya no esta bajo garantía, siga las instrucciones en la parte de INSTRUCCIONES DE SERVICIO DE GARANTIA de este manual. Hay un cargo nominal por instrumentos fuera de garantía.

SOPORTE AL CLIENTE
1-800-462-9832

b+k Precision ofrece soporte técnico profesional y cortés antes y después de la venta de sus equipos de prueba. Los siguientes son servicios típicos de los disponibles de nuestro teléfono sin carga:

- Asesoría técnica sobre el uso de su instrumento
- Asesoría técnica sobre aplicaciones especiales de su instrumento
- Asesoría técnica para escoger el mejor instrumento para una tarea específica
- Información sobre accesorios opcionales para su instrumento
- Información sobre servicios de reparación y recalibración
- Pedidos de partes de reemplazo
- Disponibilidad de publicaciones de servicio
- Información sobre otros instrumentos de B+K Precision
- Solicitudes de catálogos de B+K Precision
- El nombre de su distribuidor más cercano

Llame sin cargo 800-462-9832



Información de Servicio

Servicio de Garantía: Por favor regrese el producto en el empaquetado original con prueba de la fecha de la compra a la dirección debajo. Indique claramente el problema en escritura, incluya todos los accesorios que se están usando con el equipo.

Servicio de No Garantía: Por favor regrese el producto en el empaquetado original con prueba de la fecha de la compra a la dirección debajo. Indique claramente el problema en escritura, incluya todos los accesorios que se están usando con el equipo. Clientes que no tienen cuentas deben incluir pago en forma de cheque, orden de dinero, o número de carta de crédito. Para los precios más corrientes visite www.bkprecision.com y oprime "service/repair".

Vuelva toda la mercancía a B&K Precision Corp. con el envío pagado por adelantado. La carga global de la reparación para el servicio de la No-Garantía no incluye el envío de vuelta. El envío de vuelta a las localizaciones en el norte americano es incluido para el servicio de la garantía. Para los envíos de noche y el envío del no-Norte los honorarios americanos satisfacen el contacto B&K Precision Corp.

B&K Precision Corp.
22820 Savi Ranch Parkway
Yorba Linda, CA 92887
www.bkprecision.com
714-921-9095

Incluya con el instrumento la dirección de vuelta para envío, nombre del contacto, número de teléfono y descripción del problema.



Garantía Limitada de Dos Anos

B&K Precision Corp. Autorizaciones al comprador original que su productos y componentes serán libre de defectos por el periodo de dos anos desde el día en que se compro.

B&K Precision Corp. sin carga, repararemos o sustituir, a nuestra opción, producto defectivo o componentes. Producto devuelto tiene que ser acompañado con prueba de la fecha del la compra en la forma de tres recibo de las ventas.

Para obtener cobertura en los EE.UU., este producto debe ser registrado por medio de la forma de registro en www.bkprecision.com dentro de quince (15) días de la compra de este producto.

Exclusiones: Esta garantía no se aplica en el evento de uso en error o abuso de este producto o el resultado de alteraciones desautorizado o reparaciones. La garantía es vacía si se altera, se desfigura o se quita el número de serie.

B&K Precision Corp. no será obligado a dar servicio por danoss consecuente, incluyendo sin limitaciones a danoss resultando en perdida de uso. Algtresos estados no permiten limitaciones de daños fortuitos o consecuentes. Tan la limitación o la exclusión antedicha puede no aplicarse a usted.

Esta garantía le da ciertos derechos y pueden tener otros derechos, cuales cambian estado por estado.

B&K Precision Corp.
22820 Savi Ranch Parkway
Yorba Linda, CA 92887
www.bkprecision.com
714-921-9095

(continuacion desde el)

1. Algun equipo con un dos-conductores ca cordon de poder, incluyendo algunos con polarizados tapones de poder, es el “chasis caliente” tipo. Esto incluye la mayoria de los mas recientes receptores de television y el equipo de sonido. Un gabinete de plastico o de madera insula el chasis para proteger al cliente. Cuando el gabinete es removido para servicio, un serio peligro de choque existe si el chasis es tocado. No solo esto presenta un peligro de choque, pero dano a instrumentos de prueba o el equipo bajo prueba puede resultar de conectar la sonda de tierra de la mayoria de instrumentos de prueba a un “chasis caliente” Para probar “chasis Caliente” equipo, siempre conecte un transformador de aislamiento entre el ca enchufe y el equipo bajo prueba. El B & K Precision Modelo TR-110 o 1604 transformador de aislamiento, o modelo 1643 o 1655 CA fuente de poder es adecuado para la mayoria de las aplicaciones. Para estar en el lado seguro, trate todos los dos-cables ca equipo como “chasis caliente” al menos que este seguro que tiene un chasis aislado o un chasis de tierra.
2. En instrumentos de prueba o culaquier equipo con un 3-cables ca enchufe de poder, use solo 3-conductores enchufe. Esto es una característica de seguridad para conservar la caja u otros elementos expuestos a la tierra.
3. B & K Precision productos no estan autorizados para uso en cualquier aplicacion que envuelva contacto directo con el cuerpo humano, o el uso como un componente critico en un dispositivo o sistema para el soporte devida. Aqui, “contacto directo” se refiere a cualquier conexion de o a nuestro equipo a traves de cualquier cableado o medio de cambio. Un “componente critico” es cualquier componente de un dispositivo de soporte de vida o sistema cual falla a trabajar pueda ser razonablemente esperada a causar una falla de el dispositivo o sistema, o afecte su seguridad o efectividad.
4. Nunca trabaje solo. Alguien debe de estar cerca para prestar ayuda si necesaria. Entrenamiento en CPR (cardio-pulmonaria resucitacion) primeros auxilios es altamente recomendado.

BK PRECISION®**Declaration of CE Conformity**
according to EEC directives and NF EN 45014 norm**Responsible Party****Alternate Manufacturing Site****Manufacturer's Name:** B&K Precision Corporation

B&K Taiwan 0574

Manufacture's Address: 22820 Savi Ranch Pkwy.
Yorba Linda, CA 92887-4610
USA**Declares that the below mentioned product****Product Name:** Function Generator**Part Numbers:** 4010A, 4011A, 4012A, 4040A, 4017A**complies with the essential requirements of the following applicable European Directives:**Low Voltage Directive 73/23/EEC (19.02.73) amended by 93/68/EEC (22.07.93)
Electromagnetic Compatibility (EMC) 89/336/EEC (03.05.88) amended by 92/68/EEC (22.07.93)**and conforms with the following product standards:****Safety** EN 61010-1:2001**EMC** EN 61326:1997 + A1:1998 + A2:2001
EN 50081-1
EN 50081-2**This Declaration of Conformity applies to above listed products place on the EU market after:**

February 4, 2005

Date**Victor Tolan**
President



22820 Savi Ranch Parkway • Yorba Linda, CA 92887-4610

© 2005 B+K Precision

480-844-9-001

Printed in U.S.A.