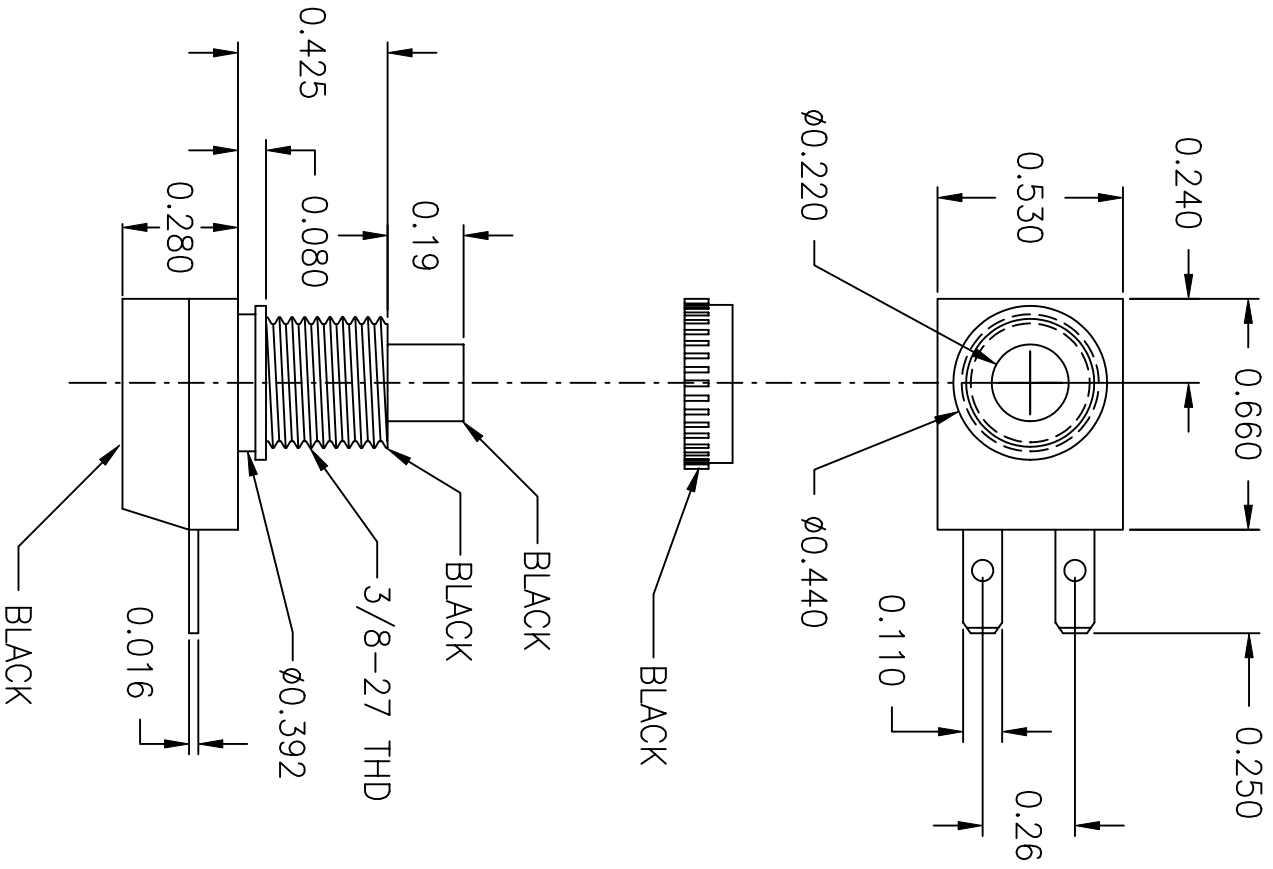


LTR	EN	DESCRIPTION	APPR	BY	DATE
A	-	INITIAL RELEASE	RB	EM	2-09-04

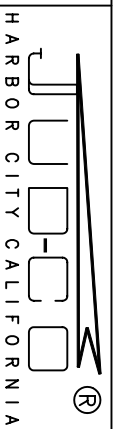


JUDCO INVENTORY NO. 40-2502-01  
 SWITCH TYPE: PUSH ON-PUSH OFF, SPDT  
 NUTS PACKED SEPARATELY

CUSTOMER: DIGI KEY  
 CUST. PN: 508 PB-ND

APPROVED BY: \_\_\_\_\_  
 DATE: \_\_\_\_\_

DIMENSIONS IN INCHES  
 DIMENSIONS ARE REFERENCE



TITLE  
 OUTLINE  
 J-188A-1

DRAWN: EM 02-09-04  
 APPR: KJ 02-09-04  
 DWG. NO. 1415-566

1415US566A.DWG

SHEET 1 OF 1

This document embodies a product, component, and/or design proprietary to JUDCO MANUFACTURING INC., and which is protected either as a trade secret, by U.S. Patent, or by copyright. It may not be used in any way without written express consent of JUDCO MANUFACTURING INC.