

MICRO SWITCH
a Honeywell Division

FED. MFG. CODE 91929

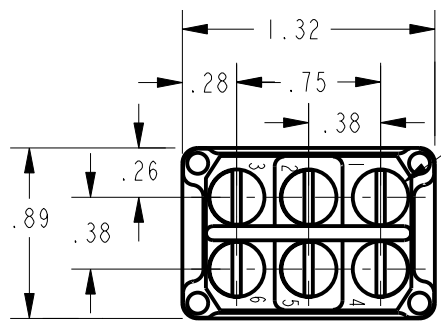
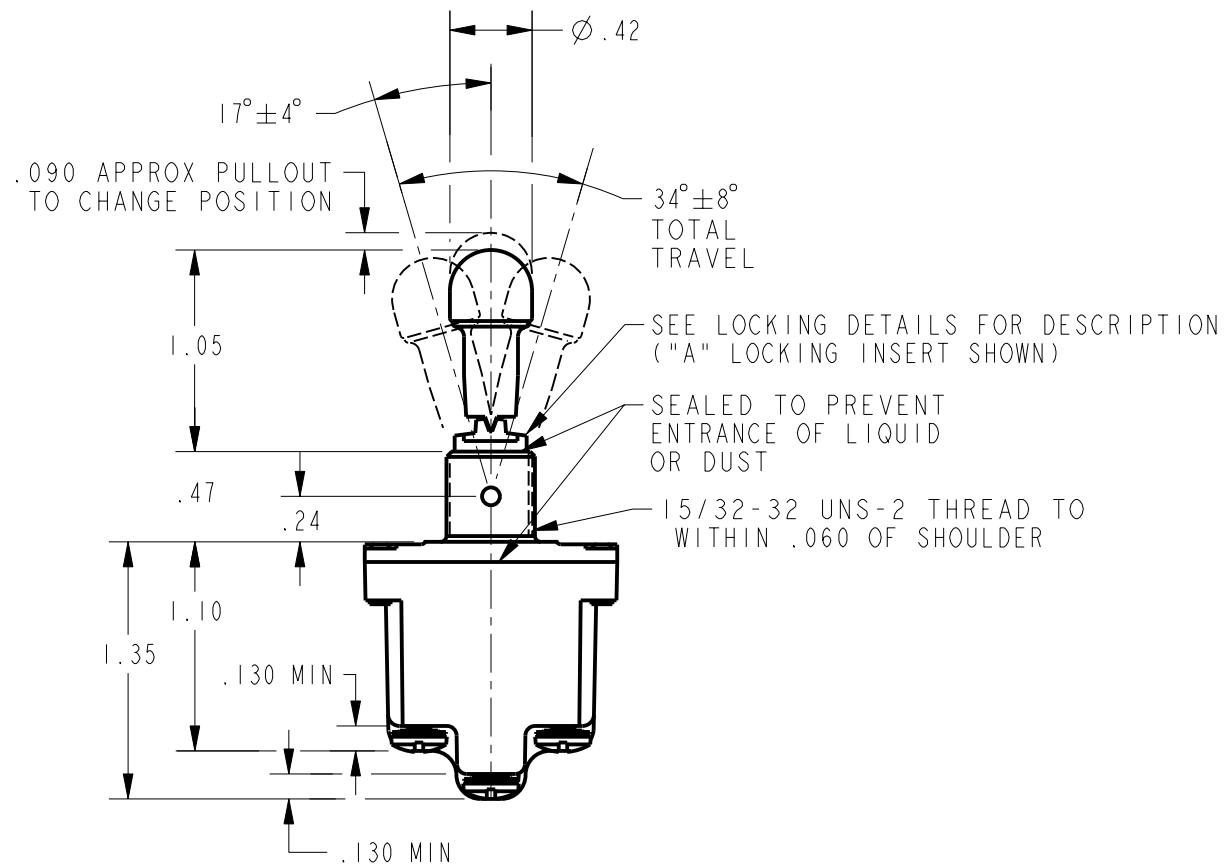
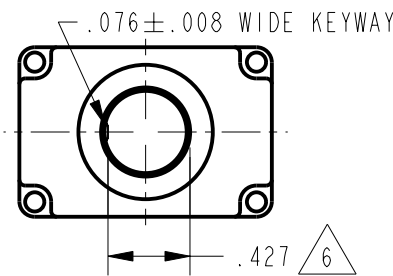
SWITCH - TOGGLE

2NT1 SERIES CHART 2

CATALOG LISTING

THIS DRAWING COVERS A PROPRIETARY ITEM AND IS THE PROPERTY OF MICRO SWITCH. A DIVISION OF HONEYWELL. THIS DRAWING IS NOT TO BE COPIED OR USED WITHOUT THE APPROVAL OF MICRO SWITCH

CATALOG LISTING 2NT1 SERIES CHART 2
 PAGE 1 OF 1
 RELEASE NO. PR-20732
 CHECK
 REVISIONS
 A CO-94328
 S A V
 22 NOV 99
 CHECK
 JAF
 22 NOV 99
 CHECK
 S A V
 22 NOV 99
 DRAWN
 PTC/CAD 2D



6X 6-32 UNC-2 X (.260) BINDING HEAD TERMINAL SCREW AND LOCK-WASHER (SEMS) ONE PER TERMINAL

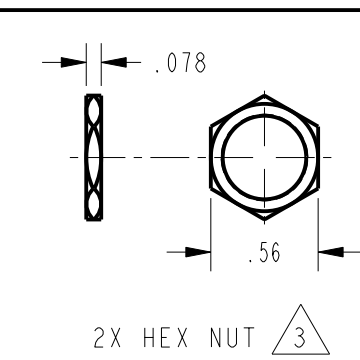
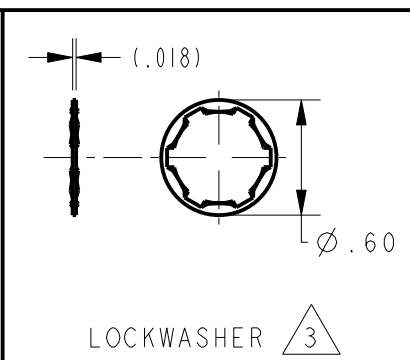
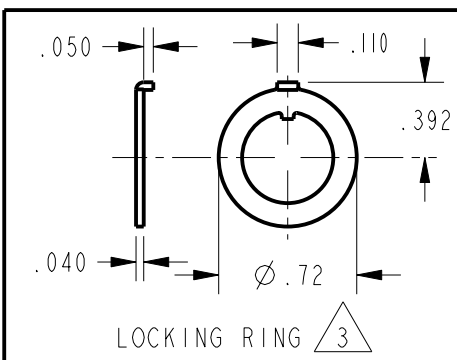
ELECTRICAL DATA

L191 15A 125, 250, 277 VAC 1/2HP 125 VAC 1HP 250, 277 VAC 5A 125 VAC "L"	A,B,D,E,F,G,H,J,K,L,M,N,P	2NT1-1	ON	OFF	ON
	D,F,G	2NT1-2	OFF	NONE	ON
	D,F,G	2NT1-3	ON	NONE	ON
	E,F,K,M	2NT1-21	NONE	OFF	ON
	E,F,K,M	2NT1-31	NONE	ON	ON
L192 10A 125, 250, 277 VAC 1/4HP 125 VAC 1/2HP 250, 277 VAC 3A 125 VAC "L"	F	2NT1-4	MOM OFF	NONE	ON
	E,F,K,L,M,N	2NT1-5	MOM ON	OFF	ON
	F	2NT1-6	MOM ON	NONE	OFF
	E,L,N	2NT1-7	MOM ON	OFF	MOM ON
	F	2NT1-8	MOM ON	NONE	ON
	E	2NT1-51	NONE	ON	MOM ON
E	2NT1-61	MOM ON	OFF	NONE	

AVAILABLE LOCKING COMBINATIONS FOR CONFIGURATION SEE LETTERED DETAILS	CATALOG LISTING	CIRCUIT MADE WITH TOGGLE LEVER IN		
		KEYWAY SIDE (1-2,4-5)	CENTER (1-2,4-5)	OPPOSITE KEYWAY (2-3,5-6)
A,B,D,E,F,G,H,J,K,L,M,N,P	2NT1-1	ON	OFF	ON
D,F,G	2NT1-2	OFF	NONE	ON
D,F,G	2NT1-3	ON	NONE	ON
E,F,K,M	2NT1-21	NONE	OFF	ON
E,F,K,M	2NT1-31	NONE	ON	ON
F	2NT1-4	MOM OFF	NONE	ON
E,F,K,L,M,N	2NT1-5	MOM ON	OFF	ON
F	2NT1-6	MOM ON	NONE	OFF
E,L,N	2NT1-7	MOM ON	OFF	MOM ON
F	2NT1-8	MOM ON	NONE	ON
E	2NT1-51	NONE	ON	MOM ON
E	2NT1-61	MOM ON	OFF	NONE

"A" LOCKED IN THREE POSITIONS	"B" LOCKED IN CENTER AND EXTREME POS. (KEYWAY SIDE)	"D" LOCKED OUT OF CENTER POSITION	"E" LOCKED IN CENTER POSITION	"F" LOCKED IN EXTREME POS. (OPP. KEYWAY)	"G" LOCKED IN EXTREME POS. (KEYWAY SIDE)
"H" LOCKED OUT OF CENTER AND EXTREME POS. (KEYWAY SIDE)	"J" LOCKED OUT OF CENTER AND EXTREME POS. (OPP. KEYWAY)	"K" LOCKED IN CENTER AND EXTREME POS. (OPP. KEYWAY)	"L" LOCKED OUT OF EXTREME POS. (KEYWAY SIDE)	"M" LOCKED OUT OF AND INTO EXTREME POS. (OPP. KEYWAY)	"N" LOCKED OUT OF EXTREME POS. (OPP. KEYWAY)
"P" LOCKED OUT OF AND INTO EXTREME POS. (KEYWAY SIDE)					

NOTES
 1 - SWITCHES ARE CAPABLE OF WITHSTANDING A TEMPERATURE OF 160° F CONTINUOUSLY AT FULL RATED LOAD
 2 - MICRO SWITCH CATALOG LISTING MARKED ON SIDE OF SWITCH FURNISHED UNASSEMBLED SUFFIX LETTER MUST BE ADDED FOR DESIRED TYPE OF TOGGLE LOCKING. SEE CHART FOR AVAILABLE LOCKING COMBINATIONS
 3 - APPLIES ONLY TO "ON" AND "MOMENTARY ON" POSITIONS FROM BOTTOM OF KEYWAY TO MAJOR DIA OF 15/32 THREAD
 4 - MICRO SWITCH CATALOG LISTING MARKED ON SIDE OF SWITCH
 5 - APPLIES ONLY TO "ON" AND "MOMENTARY ON" POSITIONS FROM BOTTOM OF KEYWAY TO MAJOR DIA OF 15/32 THREAD
 6 - APPLIES ONLY TO "ON" AND "MOMENTARY ON" POSITIONS FROM BOTTOM OF KEYWAY TO MAJOR DIA OF 15/32 THREAD



THIRD ANGLE PROJECTION

SCALE FULL

DO NOT SCALE PRINT

UNLESS OTHERWISE SPECIFIED TOLERANCES ARE

ONE PLACE	(.0)	±.030
TWO PLACE	(.00)	±.015
THREE PLACE	(.000)	±.005
ANGLES		±

WEIGHT .15 LBS APPROX

ANSI Y14.5M-1982 APPLIES