



Series 120 - Nylon Guide



Series C120 - Nylon Guide (conductive)

Calmark offers the Series 120 and C120 snap-in PCB Plastic Card Guide.

120 FEATURES

- Easy and secure snap-in design
- Extra deep guide
- Wide lead-in for easy card entry
- No mounting hardware required
- Narrow profile for excellent airflow
- Mid-span mounting point option for greater stability
- Available in 1.6 (.063) and 2.4 (.094) board gap widths
- Economical

Series C120 includes the above features plus:

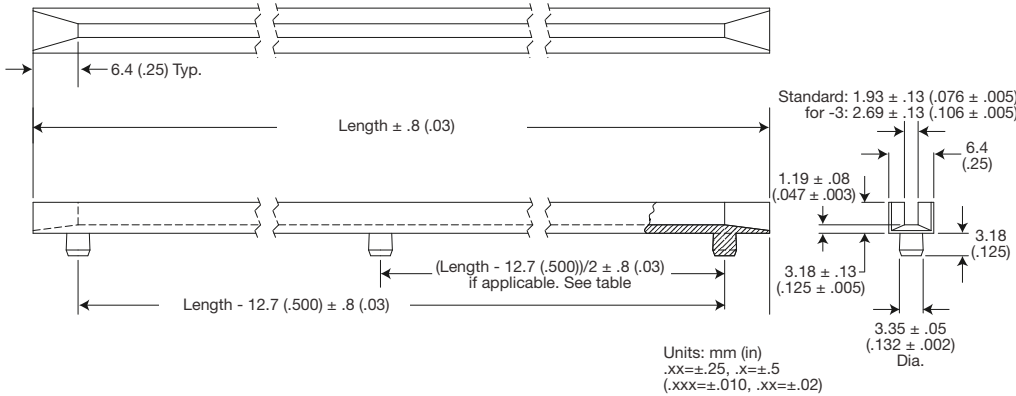
- Molded in conductive material
- Provides surface resistivity of 10^5 per square

MATERIAL

- Series 120:** Nylon 6/6 or 6. Meets UL94V-2 self extinguishing to flame or UL94V-0 (see part number configuration). May be used at 121°C (250°F) continuously. Resistant to alkalis, weak acids and common solvents.
- Series C120:** 10% Graphite Filled Polycarbonate. Meets UL94V-2.

COLOR

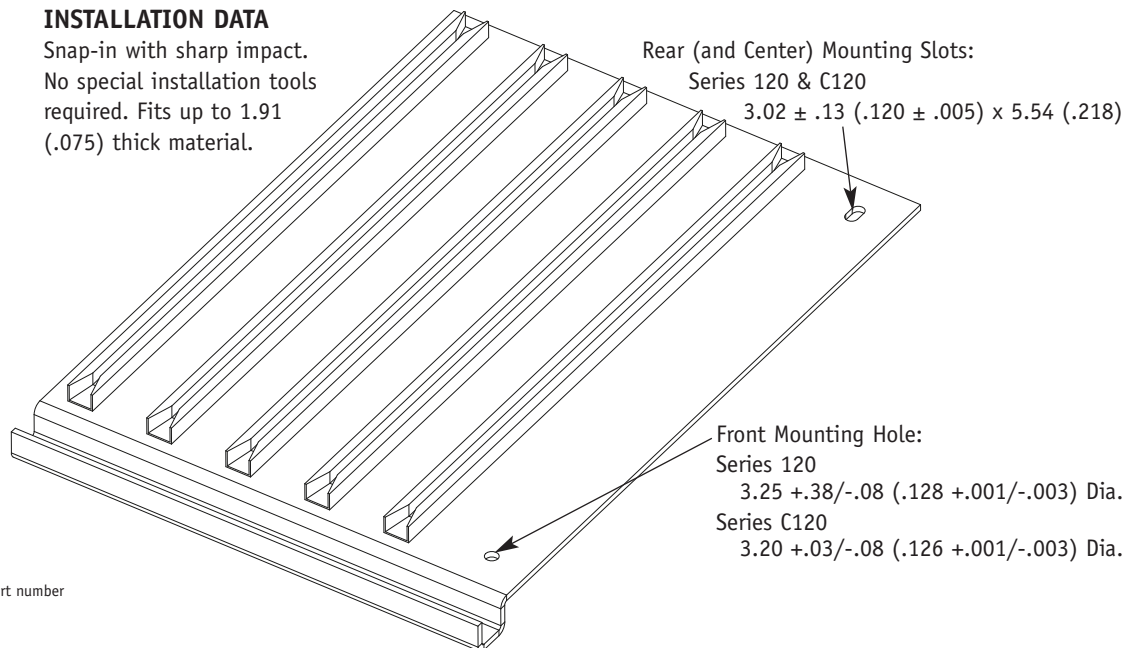
- Series 120:** Standard color is natural (white). For other colors append BLK, BRN, RED, ORG, YEL, GRN, BLU, VIO or GRY to part number.
- Series C120:** available in black only.



Part No.	Length
120-400	101.6 (4.00)
120-600	152.4 (6.00)
120-700	177.8 (7.00)*
120-700X	177.8 (7.00)
120-850	215.9 (8.50)*
120-850X	215.9 (8.50)
120-950	215.9 (9.50)*
C120-400	102.1 (4.02)
C120-600	153.2 (6.03)
C120-700	178.8 (7.04)*
C120-700X	178.8 (7.04)
C120-850	216.9 (8.54)*
C120-850X	216.9 (8.54)
C120-950	242.6 (9.55)

INSTALLATION DATA

Snap-in with sharp impact. No special installation tools required. Fits up to 1.91 (.075) thick material.



*indicates presence of a mid mounting post.
 For 2.4 (.094) thick pcb, include a "-3" suffix to part number
 For UL94V-0 option add "V0" prefix to part number