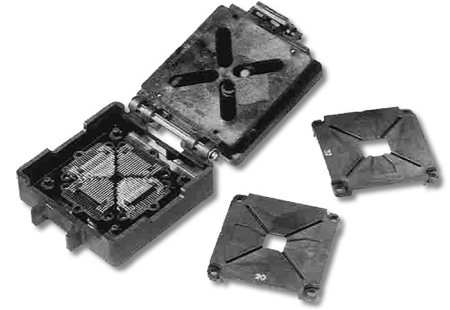




Series 537 'Live Bug' Type Universal PLCC ZIF Test Socket

FEATURES

- Socket takes 7 Sizes of PLCC Footprints with Insert Plate, P/N XX-537-20
- PLCC is inserted 'Live Bug' (pins down) into position over Bed; Top half of Clamshell is Closed for Testing, Programming, etc. Bottom Solder Pin Tails are the Ends of the Contacts or 'Bed,' thus Permits Mounting to PC Board
- Accepts JEDEC MO-047AA-AH PLCCs and JEDEC MO-044AA-AB Ceramics with 20, 28, 44, 52, 68, or 84 Square Leads, as well as JEDEC MS-016 PLCCs with 32 Rectangular Leads



GENERAL SPECIFICATIONS

- **PLASTIC:** black UL 94V-0 glass-filled Polyphenylene Sulfide (PPS)
- **CONTACT PIN:** BeCu 172 heat-treated
- **CONTACT PLATING:** 12 μ [0.31 μ] min. Au per MIL-G-45204 over 100 μ [2.54 μ] min. Ni per SAE AMS-QQ-N-290 over 20 μ [0.51 μ] Cu per MIL-C-14550
- **HARDWARE:** Stainless Steel
- **OPERATING TEMPERATURE:** 85°F to 257°F [-65°C to 125°C]
- **LIFE CYCLE:** 10,000 insertions, maximum

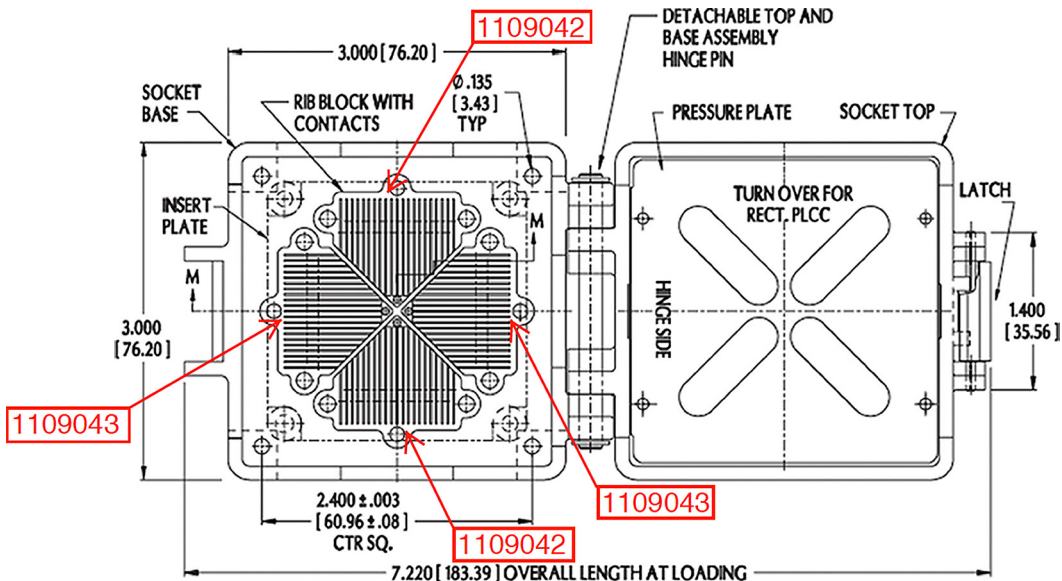
ORDERING INFORMATION

84-537-21 – Socket Only, No Insert Plates

84-537-21-7 – Socket and 7 Insert Plates

MOUNTING CONSIDERATIONS

- **SUGGESTED PCB HOLE SIZE:** 0.032 \pm 0.002 [0.81 \pm 0.05] dia.



ALL DIMENSIONS: INCHES [MILLIMETERS]
ALL TOLERANCES: \pm 0.005 [0.13] UNLESS OTHERWISE SPECIFIED
FOR ADDITIONAL INSERT PLATES, SEE [DATA SHEET 10012](#)
CONSULT FACTORY FOR OTHER SIZES AND CONFIGURATIONS

CUSTOMIZATION: ARIES SPECIALIZES IN CUSTOM DESIGN AND PRODUCTION. SPECIAL MATERIALS, PLATINGS, SIZES, AND CONFIGURATIONS CAN BE FURNISHED, DEPENDING ON QUANTITY.

ARIES RESERVES THE RIGHT TO CHANGE PRODUCT GENERAL SPECIFICATIONS WITHOUT NOTICE

PRINTOUTS OF THIS DOCUMENT MAY BE OUT-OF-DATE AND SHOULD BE CONSIDERED UNCONTROLLED



ARIES
ELECTRONICS, INC.

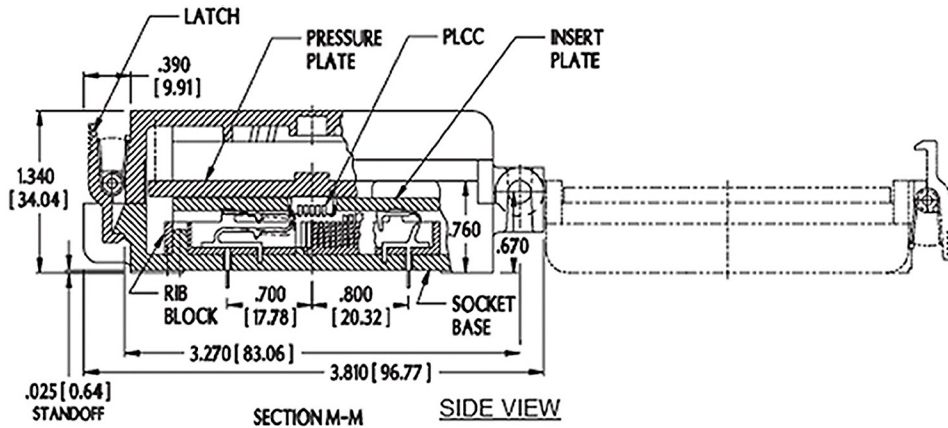
2609 Bartram Road • Bristol, PA 19007-6810 USA
TEL 215-781-9956 • FAX 215-781-9845
WWW.ARIESELEC.COM • INFO@ARIESELEC.COM



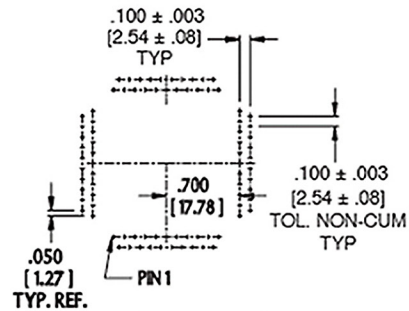
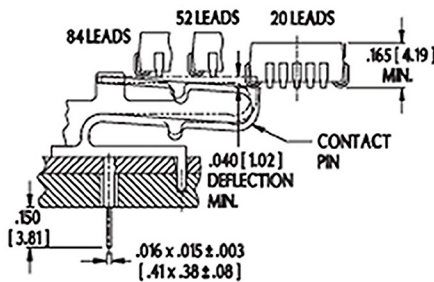
10010
Rev. 1.2
1 of 2



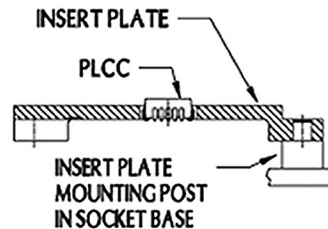
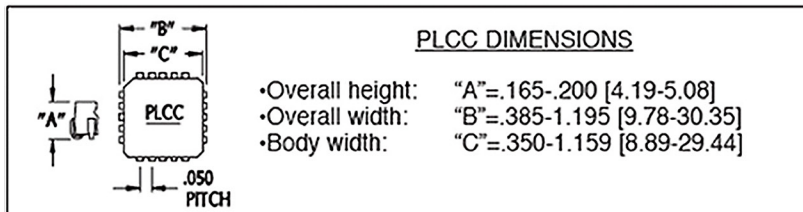
Series 537 'Live Bug' Type Universal PLCC ZIF Test Socket



CONTACT DETAIL



Top View Footprint
84 Pin Terminals



ALL DIMENSIONS: INCHES [MILLIMETERS]
 ALL TOLERANCES: ±0.005 [0.13] UNLESS OTHERWISE SPECIFIED
 FOR ADDITIONAL INSERT PLATES, SEE [DATA SHEET 10012](#)
 CONSULT FACTORY FOR OTHER SIZES AND CONFIGURATIONS

CUSTOMIZATION: ARIES SPECIALIZES IN CUSTOM DESIGN AND PRODUCTION. SPECIAL MATERIALS, PLATINGS, SIZES, AND CONFIGURATIONS CAN BE FURNISHED, DEPENDING ON QUANTITY.
 ARIES RESERVES THE RIGHT TO CHANGE PRODUCT GENERAL SPECIFICATIONS WITHOUT NOTICE
 PRINTOUTS OF THIS DOCUMENT MAY BE OUT-OF-DATE AND SHOULD BE CONSIDERED UNCONTROLLED