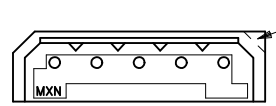


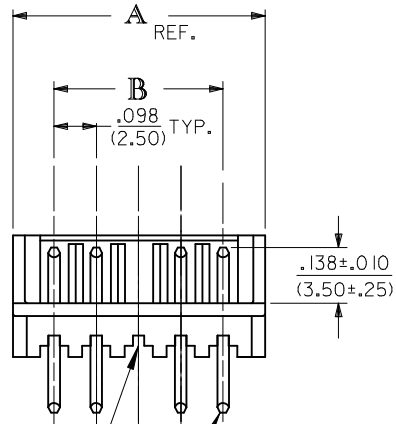
NOTES:

1. MATERIAL : HEADER: POLYESTER, GLASS FILLED.  
PIN : BRASS
2. FINISH:  
.000100/(0.00254) MIN. TIN OVER  
.000050/(0.00127) MIN. NICKEL UNDERPLATE.
3. PARTS CONFORM TO PRODUCT SPECIFICATION PS-42219-0001.
4. PACKAGING: SEE LEGEND.
5. KINK DIRECTION:  
2 THROUGH 7 CKTS: ADJACENT PINS KINKED IN OPPOSING DIRECTIONS.  
8 THROUGH 15 CKTS: TWO END PINS ON EACH END KINKED IN THE SAME DIRECTION. CENTER PINS WITHOUT KINKS.
6. PARTS CONFORM TO CLASS 'B' REQUIREMENTS OF COSMETIC SPEC PS-45499-002.

| NO. OF CKTS. | KINK LOCATION | DIM. A          | DIM. B          |
|--------------|---------------|-----------------|-----------------|
| 2            | 1,2,          | .292 / (7.42)   | .098 / (2.50)   |
| 3            | 1,2,3         | .391 / (9.92)   | .197 / (5.00)   |
| 4            | 1,2,3,4       | .489 / (12.42)  | .295 / (7.50)   |
| 5            | 1,2,3,4,5     | .587 / (14.92)  | .394 / (10.00)  |
| 6            | 1,2,3,4,5,6   | .685 / (17.40)  | .492 / (12.50)  |
| 7            | 1,2,3,4,5,6,7 | .783 / (19.90)  | .591 / (15.00)  |
| 8            | 1,2,7,8       | .882 / (22.40)  | .689 / (17.50)  |
| 9            | 1,2,8,9       | .980 / (24.90)  | .787 / (20.00)  |
| 10           | 1,2,9,10      | 1.079 / (27.40) | .886 / (22.50)  |
| 11           | 1,2,10,11     | 1.177 / (29.90) | .984 / (25.00)  |
| 12           | 1,2,11,12     | 1.276 / (32.40) | 1.083 / (27.50) |
| 13           | 1,2,12,13     | 1.374 / (34.90) | 1.181 / (30.00) |
| 14           | 1,2,13,14     | 1.472 / (37.40) | 1.280 / (32.50) |
| 15           | 1,2,14,15     | 1.571 / (39.90) | 1.378 / (35.00) |

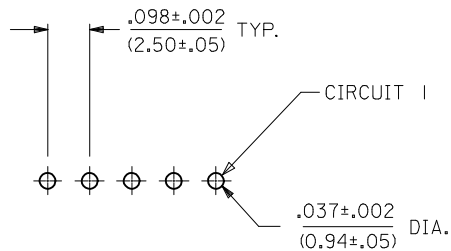
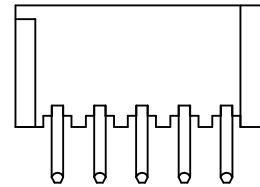
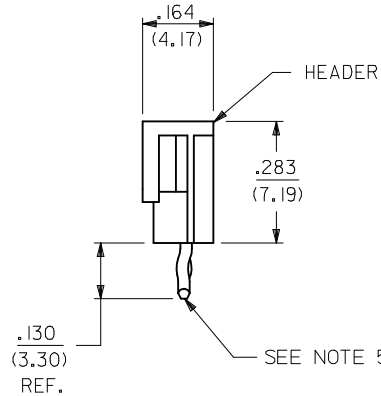


CIRCUIT NO. 1 IDENTIFIER

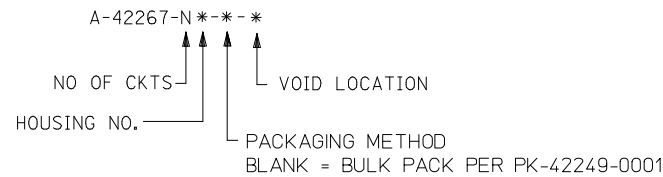


OPTIONAL VOIDED CIRCUIT SEE CHART FOR LOCATION

CIRCUIT 1



PCB HOLE LAYOUT: COMPONENT SIDE  
RECOMMENDED PCB THICKNESS: .062 / (1.57)



|  |                                      |                                       |        |  |                   |   |                                 |                        |  |
|--|--------------------------------------|---------------------------------------|--------|--|-------------------|---|---------------------------------|------------------------|--|
| ADD BULK PK SPEC<br>EC NO: UCP2013-2919<br>DRWN:MKIPPER 2013/01/17<br>CHKD:ANDERSON 2013/01/17<br>APPR:FSM:TH 2013/01/29 | QUALITY SYMBOLS<br>▽=0<br>▽=0<br>▽=0 | GENERAL TOLERANCES (UNLESS SPECIFIED) |        | DIMENSION STYLE<br>IN/MM                             |                   | SCALE<br>---  | DESIGN UNITS<br>METRIC          | THIRD ANGLE PROJECTION |  |
|  |                                      |                                       | mm     | INCH   | DRAWN BY<br>GUZIK | DATE<br>01/17/89  | TITLE<br>2.5 MM HEADER ASSEMBLY |                        |  |
|  | 4 PLACES                             | ± ---                                 | ± ---  | CHECKED BY<br>EDGLEY                                 | DATE<br>01/17/89  | DOCUMENT NO.<br>SDA-42267-*   |                                 |                        |  |
|  | 3 PLACES                             | ± ---                                 | ± .010 | APPROVED BY<br>LENZ                                  | DATE<br>01/17/89  |   |                                 |                        |  |
|  | 2 PLACES                             | ± 0.25                                | ± .014 | MATERIAL NO.<br>SEE CHART                            |                   | THIS DRAWING CONTAINS INFORMATION THAT IS PROPRIETARY TO MOLEX INCORPORATED AND SHOULD NOT BE USED WITHOUT WRITTEN PERMISSION |                                 |                        |  |
|  | 1 PLACE                              | ± 0.36                                | ± ---  | ANGULAR ± 1/2°                                       |                   |   |                                 |                        |  |
|  | 0 PLACE                              | ±                                     | ±      | DRAFT WHERE APPLICABLE MUST REMAIN WITHIN DIMENSIONS |                   |   |                                 |                        |  |
| Q3   | REV                                  |                                       |        |  |                   |   |                                 |                        |  |

| A-42267-NA-* |             |                |           | A-42267-NB-* |             |                |           | A-42267-NC-* |             |                |           |
|--------------|-------------|----------------|-----------|--------------|-------------|----------------|-----------|--------------|-------------|----------------|-----------|
| OPTIONS      | HOUSING     | 42249-N        |           | OPTIONS      | HOUSING     | 42249-NA       |           | OPTIONS      | HOUSING     | 42249-NB       |           |
|              | COLOR       | NATURAL        |           |              | COLOR       | BLUE           |           |              | COLOR       | BROWN          |           |
|              | PIN NO      | 45613-0006     |           |              | PIN NO      | 45613-0006     |           |              | PIN NO      | 45613-0006     |           |
|              | PLATING     | 154            |           |              | PLATING     | 154            |           |              | PLATING     | 154            |           |
| Ckt          | Material No | Engineering No | Void Ckts | Ckt          | Material No | Engineering No | Void Ckts | Ckt          | Material No | Engineering No | Void Ckts |
| 2            | 22-43-8020  | A-42267-2A     |           | 2            | 22-43-8023  | A-42267-2B     |           | 2            | 50-34-8534  | A-42267-2C     |           |
| 3            | 22-43-8030  | A-42267-3A     |           | 3            | 22-43-8033  | A-42267-3B     |           | 3            |             | A-42267-3C     |           |
| 4            | 22-43-8040  | A-42267-4A     |           | 4            |             | A-42267-4B     |           | 4            |             | A-42267-4C     |           |
| 5            | 22-43-8050  | A-42267-5A     |           | 5            |             | A-42267-5B     |           | 5            |             | A-42267-5C     |           |
| 6            | 22-43-8060  | A-42267-6A     |           | 6            | 22-43-8063  | A-42267-6B     |           | 6            |             | A-42267-6C     |           |
| 7            | 22-43-8070  | A-42267-7A     |           | 7            |             | A-42267-7B     |           | 7            |             | A-42267-7C     |           |
| 8            | 22-43-8080  | A-42267-8A     |           | 8            |             | A-42267-8B     |           | 8            |             | A-42267-8C     |           |
| 9            | 22-43-8090  | A-42267-9A     |           | 9            |             | A-42267-9B     |           | 9            |             | A-42267-9C     |           |
| 10           | 22-43-8100  | A-42267-10A    |           | 10           | 22-43-8103  | A-42267-10B    |           | 10           |             | A-42267-10C    |           |
| 11           | 22-43-8110  | A-42267-11A    |           | 11           |             | A-42267-11B    |           | 11           |             | A-42267-11C    |           |
| 12           | 22-43-8120  | A-42267-12A    |           | 12           |             | A-42267-12B    |           | 12           |             | A-42267-12C    |           |
| 13           | 22-43-8130  | A-42267-13A    |           | 13           |             | A-42267-13B    |           | 13           |             | A-42267-13C    |           |
| 14           | 22-43-8140  | A-42267-14A    |           | 14           |             | A-42267-14B    |           | 14           |             | A-42267-14C    |           |
| 15           | 22-43-8150  | A-42267-15A    |           | 15           |             | A-42267-15B    |           | 15           |             | A-42267-15C    |           |
|              |             | A-42267-10A-6  | 6         |              |             |                |           |              |             |                |           |
|              |             | A-42267-15A-3  | 3         |              |             |                |           |              |             |                |           |
|              |             | A-42267-7A-2   | 2         |              |             |                |           |              |             |                |           |
|              | 22-44-8030  | A-42267-3A-2   | 2         |              |             |                |           |              |             |                |           |
|              |             |                |           |              |             |                |           |              |             |                |           |
|              |             |                |           |              |             |                |           |              |             |                |           |
|              |             |                |           |              |             |                |           |              |             |                |           |
|              |             |                |           |              |             |                |           |              |             |                |           |
|              |             |                |           |              |             |                |           |              |             |                |           |

|  |   |   |                                |
|--|---|---|--------------------------------|
| REV:<br><b>Q1</b>                      | ECR/ECN INFORMATION:<br>EC NO: UCP2007-1449<br>DATE: 12/19/2006 | TITLE:<br><b>2.5 MM HEADER ASSEMBLY</b> | SHEET No.<br><b>- 2 -</b>      |
| DOCUMENT NUMBER:<br><b>SDA-42267-*</b> |   | CREATED / REVISED BY:<br><b>ELHAG</b>   | CHECKED BY:<br><b>LSCHMIDT</b> |
|  |   | APPROVED BY:<br><b>FSMITH</b>           |                                |

| A-42267-ND-*       |                      |                |           | A-42267-NE-*                  |             |                |                 | A-42267-NF-* |               |                |              |  |
|--------------------|----------------------|----------------|-----------|-------------------------------|-------------|----------------|-----------------|--------------|---------------|----------------|--------------|--|
| OPTIONS            | HOUSING              | 42249-NR       |           | OPTIONS                       | HOUSING     | 42249-NC       |                 | OPTIONS      | HOUSING       | 42249-ND       |              |  |
|                    | COLOR                | RED            |           |                               | COLOR       | ORANGE         |                 |              | COLOR         | YELLOW         |              |  |
|                    | PIN NO               | 45613-0006     |           |                               | PIN NO      | 45613-0006     |                 |              | PIN NO        | 45613-0006     |              |  |
|                    | PLATING              | 154            |           |                               | PLATING     | 154            |                 |              | PLATING       | 154            |              |  |
| Ckt                | Material No          | Engineering No | Void Ckts | Ckt                           | Material No | Engineering No | Void Ckts       | Ckt          | Material No   | Engineering No | Void Ckts    |  |
| 2                  | 22-43-8021           | A-42267-2D     |           | 2                             | 22-43-8025  | A-42267-2E     |                 | 2            | 22-43-8024    | A-42267-2F     |              |  |
| 3                  | 22-43-8031           | A-42267-3D     |           | 3                             | 22-43-8035  | A-42267-3E     |                 | 3            | 22-43-8034    | A-42267-3F     |              |  |
| 4                  | 22-43-8041           | A-42267-4D     |           | 4                             | 22-43-8045  | A-42267-4E     |                 | 4            | 22-43-8044    | A-42267-4F     |              |  |
| 5                  | 22-43-8051           | A-42267-5D     |           | 5                             | 22-43-8055  | A-42267-5E     |                 | 5            | 22-43-8054    | A-42267-5F     |              |  |
| 6                  | 22-43-8061           | A-42267-6D     |           | 6                             | 22-43-8065  | A-42267-6E     |                 | 6            | 22-43-8064    | A-42267-6F     |              |  |
| 7                  | 22-43-8071           | A-42267-7D     |           | 7                             | 22-43-8075  | A-42267-7E     |                 | 7            |               | A-42267-7F     |              |  |
| 8                  | 22-43-8081           | A-42267-8D     |           | 8                             | 22-43-8085  | A-42267-8E     |                 | 8            |               | A-42267-8F     |              |  |
| 9                  | 22-43-8091           | A-42267-9D     |           | 9                             | 22-43-8095  | A-42267-9E     |                 | 9            |               | A-42267-9F     |              |  |
| 10                 | 22-43-8101           | A-42267-10D    |           | 10                            | 22-43-8105  | A-42267-10E    |                 | 10           | 22-43-8104    | A-42267-10F    |              |  |
| 11                 | 22-43-8111           | A-42267-11D    |           | 11                            | 22-43-8115  | A-42267-11E    |                 | 11           |               | A-42267-11F    |              |  |
| 12                 | 22-43-8121           | A-42267-12D    |           | 12                            | 22-43-8125  | A-42267-12E    |                 | 12           |               | A-42267-12F    |              |  |
| 13                 | 22-43-8131           | A-42267-13D    |           | 13                            | 22-43-8135  | A-42267-13E    |                 | 13           |               | A-42267-13F    |              |  |
| 14                 | 22-43-8141           | A-42267-14D    |           | 14                            | 22-43-8145  | A-42267-14E    |                 | 14           |               | A-42267-14F    |              |  |
| 15                 | 22-43-8151           | A-42267-15D    |           | 15                            | 22-43-8155  | A-42267-15E    |                 | 15           |               | A-42267-15F    |              |  |
|                    |                      |                |           |                               |             |                |                 |              |               |                |              |  |
|                    |                      |                |           |                               |             |                |                 |              |               |                |              |  |
|                    |                      |                |           |                               |             |                |                 |              |               |                |              |  |
|                    |                      |                |           |                               |             |                |                 |              |               |                |              |  |
|                    |                      |                |           |                               |             |                |                 |              |               |                |              |  |
|                    |                      |                |           |                               |             |                |                 |              |               |                |              |  |
|                    |                      |                |           |                               |             |                |                 |              |               |                |              |  |
|                    |                      |                |           |                               |             |                |                 |              |               |                |              |  |
|                    |                      |                |           |                               |             |                |                 |              |               |                |              |  |
|                    |                      |                |           |                               |             |                |                 |              |               |                |              |  |
|                    |                      |                |           |                               |             |                |                 |              |               |                |              |  |
|                    |                      |                |           |                               |             |                |                 |              |               |                |              |  |
|                    |                      |                |           |                               |             |                |                 |              |               |                |              |  |
|                    |                      |                |           |                               |             |                |                 |              |               |                |              |  |
|                    |                      |                |           |                               |             |                |                 |              |               |                |              |  |
|                    |                      |                |           |                               |             |                |                 |              |               |                |              |  |
| REV:               | ECR/ECN INFORMATION: |                |           | TITLE:                        |             |                |                 |              |               |                | SHEET No.    |  |
| <b>Q1</b>          | EC NO: UCP2007-1449  |                |           | <b>2.5 MM HEADER ASSEMBLY</b> |             |                |                 |              |               |                | <b>- 3 -</b> |  |
|                    | DATE: 12/19/2006     |                |           |                               |             |                |                 |              |               |                |              |  |
| DOCUMENT NUMBER:   |                      |                |           | CREATED / REVISED BY:         |             |                | CHECKED BY:     |              | APPROVED BY:  |                |              |  |
| <b>SDA-42267-*</b> |                      |                |           | <b>ELHAG</b>                  |             |                | <b>LSCHMIDT</b> |              | <b>FSMITH</b> |                |              |  |

| A-42249-NG-*       |                      |                |                               | A-42249-NH-*          |              |                 |           | A-42249-NA-(154) |             |                   |           |
|--------------------|----------------------|----------------|-------------------------------|-----------------------|--------------|-----------------|-----------|------------------|-------------|-------------------|-----------|
| OPTIONS            | HOUSING              | 42249-NE       |                               | OPTIONS               | HOUSING      | 42249-NG        |           | OPTIONS          | HOUSING     | 42249-N           |           |
|                    | COLOR                | GREEN          |                               |                       | COLOR        | GREY            |           |                  | COLOR       | NATURAL           |           |
|                    | PIN NO               | 45613-0006     |                               |                       | PIN NO       | 45613-0006      |           |                  | PIN NO      | 45613-0006        |           |
|                    | PLATING              | 154            |                               |                       | PLATING      | 154             |           |                  | PLATING     | 154               |           |
| Ckt                | Material No          | Engineering No | Void Ckts                     | Ckt                   | Material No  | Engineering No  | Void Ckts | Ckt              | Material No | Engineering No    | Void Ckts |
| 2                  | 22-43-8026           | A-42267-2G     |                               | 2                     | 22-43-8022   | A-42267-2H      |           | 2                | 50-34-9252  | A-42267-02A-(154) |           |
| 3                  | 22-43-8036           | A-42267-3G     |                               | 3                     | 22-43-8032   | A-42267-3H      |           | 3                | 50-34-9253  | A-42267-03A-(154) |           |
| 4                  | 22-43-8046           | A-42267-4G     |                               | 4                     |              | A-42267-4H      |           | 4                | 50-34-9254  | A-42267-04A-(154) |           |
| 5                  | 22-43-8056           | A-42267-5G     |                               | 5                     |              | A-42267-5H      |           | 5                | 50-34-9255  | A-42267-05A-(154) |           |
| 6                  | 22-43-8066           | A-42267-6G     |                               | 6                     | 22-43-8062   | A-42267-6H      |           | 6                | 50-34-9256  | A-42267-06A-(154) |           |
| 7                  | 22-43-8076           | A-42267-7G     |                               | 7                     |              | A-42267-7H      |           | 7                | 50-34-9257  | A-42267-07A-(154) |           |
| 8                  | 22-43-8086           | A-42267-8G     |                               | 8                     |              | A-42267-8H      |           | 8                | 50-34-9258  | A-42267-08A-(154) |           |
| 9                  | 22-43-8096           | A-42267-9G     |                               | 9                     |              | A-42267-9H      |           | 9                | 50-34-9259  | A-42267-09A-(154) |           |
| 10                 | 22-43-8106           | A-42267-10G    |                               | 10                    |              | A-42267-10H     |           | 10               | 50-34-9260  | A-42267-10A-(154) |           |
| 11                 | 22-43-8116           | A-42267-11G    |                               | 11                    |              | A-42267-11H     |           | 11               | 50-34-9261  | A-42267-11A-(154) |           |
| 12                 | 22-43-8126           | A-42267-12G    |                               | 12                    |              | A-42267-12H     |           | 12               | 50-34-9262  | A-42267-12A-(154) |           |
| 13                 | 22-43-8136           | A-42267-13G    |                               | 13                    |              | A-42267-13H     |           | 13               | 50-34-9263  | A-42267-13A-(154) |           |
| 14                 | 22-43-8146           | A-42267-14G    |                               | 14                    |              | A-42267-14H     |           | 14               | 50-34-9264  | A-42267-14A-(154) |           |
| 15                 | 22-43-8156           | A-42267-15G    |                               | 15                    |              | A-42267-15H     |           | 15               | 50-34-9265  | A-42267-15A-(154) |           |
|                    | 22-448076            | A-42267-07G-3  | 3                             |                       |              |                 |           |                  |             |                   |           |
|                    |                      |                |                               |                       |              |                 |           |                  |             |                   |           |
|                    |                      |                |                               |                       |              |                 |           |                  |             |                   |           |
|                    |                      |                |                               |                       |              |                 |           |                  |             |                   |           |
|                    |                      |                |                               |                       |              |                 |           |                  |             |                   |           |
|                    |                      |                |                               |                       |              |                 |           |                  |             |                   |           |
|                    |                      |                |                               |                       |              |                 |           |                  |             |                   |           |
|                    |                      |                |                               |                       |              |                 |           |                  |             |                   |           |
|                    |                      |                |                               |                       |              |                 |           |                  |             |                   |           |
|                    |                      |                |                               |                       |              |                 |           |                  |             |                   |           |
|                    |                      |                |                               |                       |              |                 |           |                  |             |                   |           |
|                    |                      |                |                               |                       |              |                 |           |                  |             |                   |           |
| REV:               | ECR/ECN INFORMATION: |                | TITLE:                        |                       | SHEET No.    |                 |           |                  |             |                   |           |
| <b>Q1</b>          | EC NO: UCP2007-1449  |                | <b>2.5 MM HEADER ASSEMBLY</b> |                       | <b>- 4 -</b> |                 |           |                  |             |                   |           |
| DATE: 12/19/2006   |                      |                |                               |                       |              |                 |           |                  |             |                   |           |
| DOCUMENT NUMBER:   |                      |                |                               | CREATED / REVISED BY: |              | CHECKED BY:     |           | APPROVED BY:     |             |                   |           |
| <b>SDA-42267-*</b> |                      |                |                               | <b>ELHAG</b>          |              | <b>LSCHMIDT</b> |           | <b>FSMITH</b>    |             |                   |           |