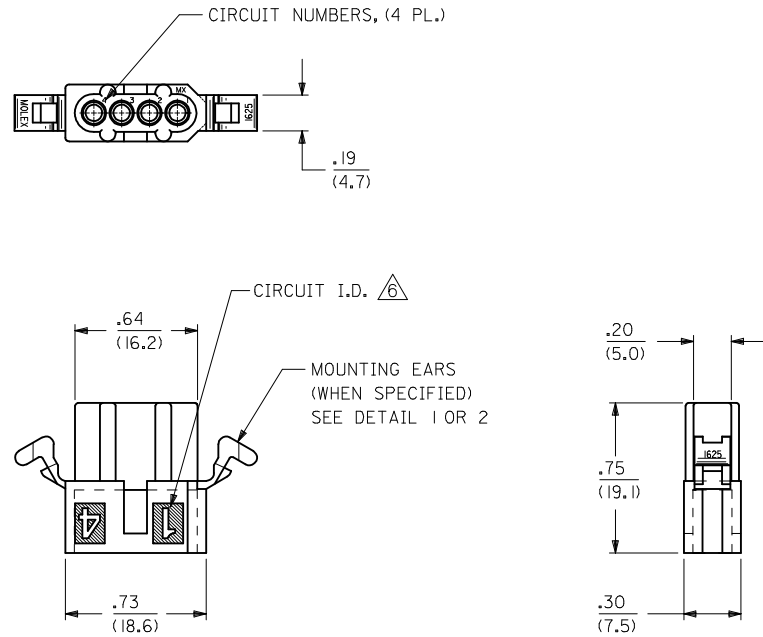
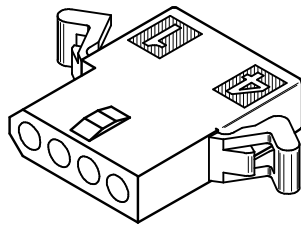
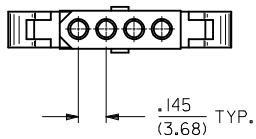
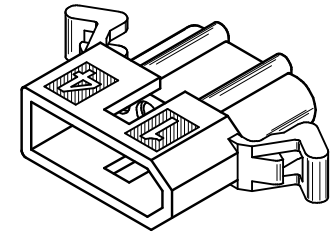
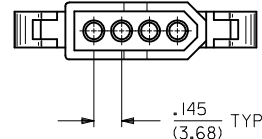


RECEPTACLE HOUSING



PLUG HOUSING



REINST 1625-4P &-4R EC NO: UCP2013-3469 DRW: AELHAG CHKD: JBELL APPR: FSMITH	2013/02/14 02/15/2013 2013/04/09	QUALITY SYMBOLS ▽=0 ▽=0 ▽=0	GENERAL TOLERANCES (UNLESS SPECIFIED)		DIMENSION STYLE IN/MM		SCALE ---	DESIGN UNITS INCH	THIRD ANGLE PROJECTION	
			mm	INCH	DRAWN BY AELHAG	DATE 2010/06/30	TITLE PLUG & RECEPTACLE HOUSINGS, 4 CIRCUIT, .062 DIA., .145 CENTERS			
R2	DESCRIPTION	REV	4 PLACES	± .010	3 PLACES	± .010	CHECKED BY JBELL	DATE 2012/01/23	MOLEX INCORPORATED	
			2 PLACES	± 0.25	± .014	APPROVED BY FSMITH	DATE 2011/12/02			
			1 PLACE	± 0.36	± .---	MATERIAL NO. SEE CHART		DOCUMENT NO. SD-1625-4*	SHEET NO. 1 OF 2	
DRAFT WHERE APPLICABLE MUST REMAIN WITHIN DIMENSIONS			ANGULAR ± 1 °		SIZE C		THIS DRAWING CONTAINS INFORMATION THAT IS PROPRIETARY TO MOLEX INCORPORATED AND SHOULD NOT BE USED WITHOUT WRITTEN PERMISSION			

PLUG		
PART NO.	ENG. NO.	
03-06-2041	I625-4P	
46999-0267	I625-4P-1	
03-06-7041	I625-4PBK	<b>OBSOLETE</b>
03-06-2042	I625-4P1	
03-06-7042	I625-4P1BK	
46999-0355	I625-4P2	
NOT TOOLED	I625-4P2BK	
46999-0353	I625-4P2-1	
	-	

RECEPTACLE		
PART NO.	ENG. NO.	
03-06-1041	I625-4R	
03-06-6041	I625-4RBK	<b>OBSOLETE</b>
03-06-1042	I625-4R1	
03-06-6042	I625-4R1BK	
50-29-1758	I625-4R2	
46999-0266	I625-4R2-1	
46999-0354	I625-4R1-1	
	-	
	-	

**LEGEND:**

I625-4\*\*\*-\*

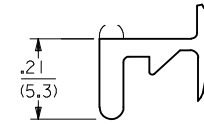
CIRCUIT SIZE

R = RECEPTACLE  
P = PLUG

BLANK = WITH STANDARD MTG. EARS  
1 = WITHOUT EARS  
2 = WITH PREBENT MTG. EARS

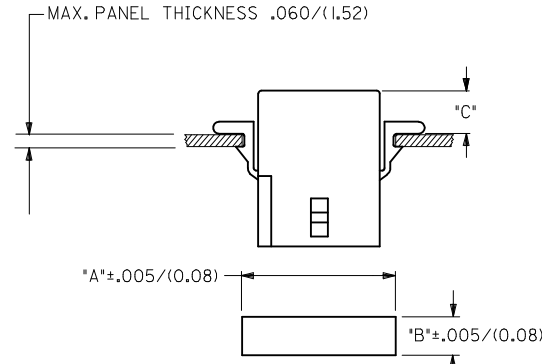
BLANK = NOT DYED  
AM=AMBER BK=BLACK BU=BLUE  
BN=BROWN GY=GRAY GN=GREEN  
OR=ORANGE RD=RED YW=YELLOW

BLANK = MATERIAL CODE A  
1 = MATERIAL CODE B



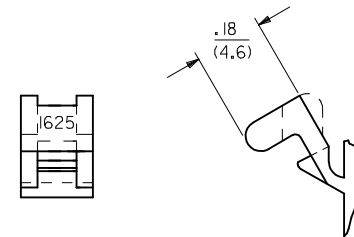
**DETAIL 1**

STANDARD MOUNTING EARS  
(SCALE 4:1)



RECOMMENDED PANEL OPENING

HOUSING	DIM. "A"	DIM. "B"	"C" PREBENT EAR	"C" STANDARD EAR
PLUG	.865/(21.97)	.312/(7.92)	.19/(4.8)	.18/(4.6)
RECEPT.	.785/(19.94)	.260/(6.60)	.21/(5.3)	.20/(5.1)



**DETAIL 2**

PREBENT MOUNTING EARS  
(SCALE 4:1)

NOTES:

- MATERIAL:  
A = NYLON TYPE 6/6, 94V-2  
B = NYLON PA6, UL94V-2, COLOR: NATURAL  
IEC 60335-1, 4th EDITION, GLOW WIRE CAPABLE
- FINISH: N/A.
- THIS PRODUCT COMPLIES WITH MOLEX PRODUCT SPECIFICATION PS-02-06
- PACKAGING: PK-1625-003.
- HOUSINGS FOR USE WITH MOLEX .062/(1.57) DIA. SERIES TERMINALS.
- CIRCUIT I.D. NUMBERS ON SIDE OF HOUSING APPEAR ON PARTS FROM TOOLS BUILT AFTER 8/10/92. PARTS FROM TOOLS BUILT BEFORE THIS DATE WILL HAVE CIRCUIT I.D. RIBS ON HOUSING.
- PARTS CONFORM TO CLASS 'B' REQUIREMENTS OF COSMETIC SPECIFICATION PS-45499-002.

<b>SEE SHEET 1</b> EC NO: UCP2013-3469 DRW: AELHAG 2013/02/14 CHKD: BELL 02/15/2013 APPR: FSMITH 2013/04/09	QUALITY SYMBOLS ∇=0 ∇=0 ∇=0	GENERAL TOLERANCES (UNLESS SPECIFIED)		DIMENSION STYLE <b>IN/MM</b>		SCALE ---	DESIGN UNITS <b>INCH</b>	THIRD ANGLE PROJECTION	
				DRAWN BY AELHAG	DATE 2010/06/30	TITLE <b>PLUG &amp; RECEPTACLE HOUSINGS, 4 CIRCUIT, .062 DIA., .145 CENTERS</b>			
				CHECKED BY JBELL	DATE 2012/01/23	<b>MOLEX MOLEX INCORPORATED</b>			
				APPROVED BY FSMITH	DATE 2011/12/02	DOCUMENT NO. <b>SD-1625-4*</b>		SHEET NO. <b>2 OF 2</b>	
<b>R2</b>		DRAFT WHERE APPLICABLE MUST REMAIN WITHIN DIMENSIONS		<b>SEE CHART</b>		THIS DRAWING CONTAINS INFORMATION THAT IS PROPRIETARY TO MOLEX INCORPORATED AND SHOULD NOT BE USED WITHOUT WRITTEN PERMISSION			