



## 83870 with cable output Metal roller plunger Part number 83871106



- IP 66/67
- Metal case
- cUL approval

### Part numbers

| Type                           | Characteristics | Type of output   |
|--------------------------------|-----------------|------------------|
| 83871 106 Metal roller plunger | Standard        | Cable length 6 m |

### Specifications

|  |  |
|--|--|
| Conformity to standards                    | IEC / EN 60947.5.1<br>Dimensional conformity : NFC 63145<br>Low voltage directive : 73/23/EEC and 93/68/EEC<br>Electric shock protection : NFC 20030 ou IEC 60536 class 1, degree of pollution 3 |
| Protection against electric shocks         |  |
| Degree of protection IEC 60529             |  |
| Degree of protection according to NEMA 250 | Type 1, 3, 4, 6, 13  |

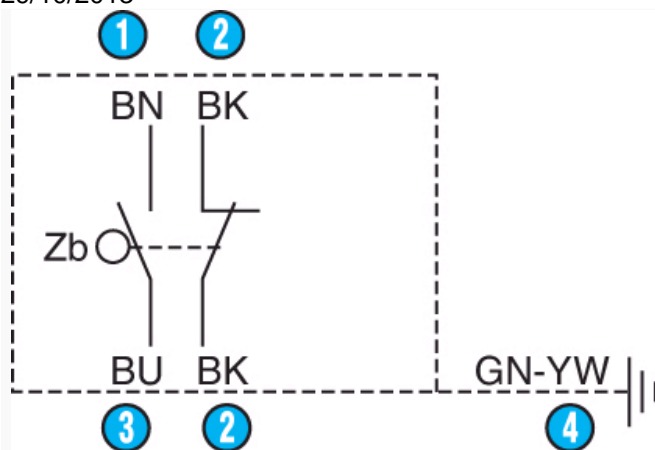
### Electrical characteristics

|  |   |
|--|---|
| Connection   |   |
| Operating temperature (°C)                               | -25 → +70 °C  |
| Assigned impulse voltage (Uimp) - V                      | 2500  |
| Assigned insulation voltage Ui (V)                       | 500   |
| Thermal current I (A)                                    | 10  |
| Low-load switching - Minimum voltage (V)                 | 10  |
| Low-load switching - Minimum current (mA)                | 100   |
| Assigned working characteristics (EN 60 947.5.1, UL 508) | A300 = AC15 240 V 3 A / 120 V 6 A Alternating current<br>Q150 = DC13 125 V 0.55 A Direct current        |
| Electrical life according to IEC 947-5-1 appendix C      | 250 V 3 A AC15 500,000 operations<br>24 V 8 W DC13 500,000 operations                                   |
| Electrical protection                                    | Integral protective earth conductor<br>Short-circuit protection device : IEC/EN 60947-5-1<br>Fuse 6 AgG |
| Approvals  | UL 508, UL 50   |

### Mechanical characteristics

|  |                    |
|--|--------------------|
| Sequence                                 |                    |
| Snap action                              |                    |
| Minimum operating force (N)              | 10                 |
| Minimum operating force (Nm)             | -                  |
| Minimum total travel force (N)           | 30                 |
| Minimum total travel force (Nm)          | -                  |
| Min. positive opening travel (N)         | 30                 |
| Min. positive opening travel (Nm)        | -                  |
| Mechanical life (millions of operations) | 10                 |
| Vertical approach speed                  | 1 mm/min → 0,5 m/s |
| Horizontal approach speed (30° cam)      | 1 mm/min → 0,3 m/s |
| Weight (g)                               | 180                |

### Principles

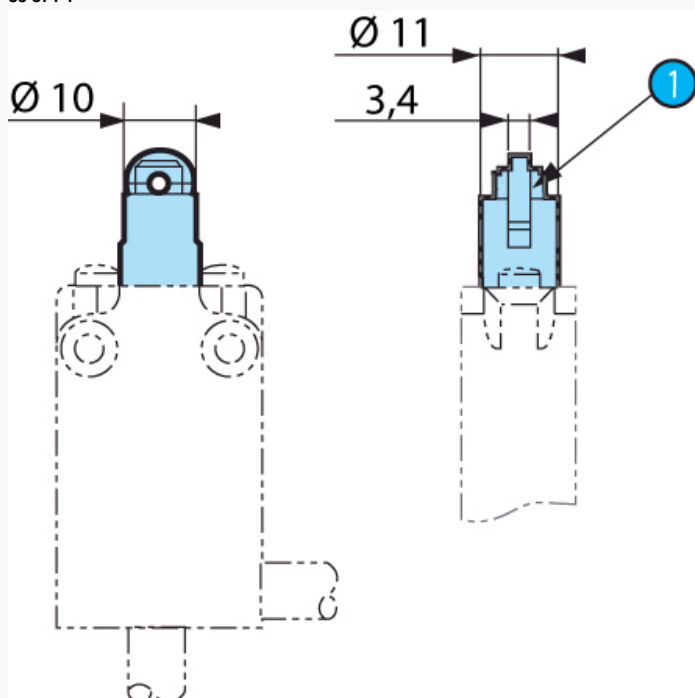
**Function**

Four-terminal double break two-way contact element (form Zb) with positive opening NC contacts. The 2 moving contacts are electrically isolated from one another.

| N° | Legend       |
|----|--------------|
| ①  | Brown        |
| ②  | Black        |
| ③  | Blue         |
| ④  | Green-yellow |

**Dimensions (mm)****Product**

83 871 1

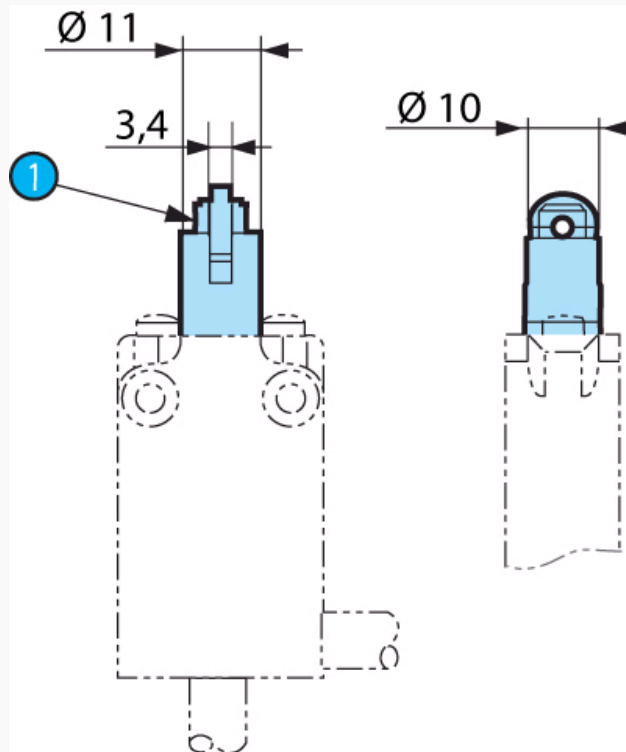


83 871 0

| N° | Legend      |
|----|-------------|
| ①  | POP marking |

**Dimensions (mm)****Product**

83 875 1



83 875 0

| N° | Legend      |
|----|-------------|
| 1  | POP marking |

#### Other information

For other accessories and special contacts, or special modes of operation : please consult us.

#### Product adaptations



- Contact type
- Rear output
- Protective scraper seal
- Length of cable/connector/stripping
- Special marking