

HXG SERIES

105°C High Ripple , Miniaturized, Snap-in Terminal Type

◆FEATURES

- Load Life: 105°C 3000hours.
- Higher Ripple current than MXG series.
- RoHS compliance.



◆SPECIFICATIONS

Items	Characteristics						
Category Temperature Range	-25~+105°C						
Rated Voltage Range	400~450V.DC						
Capacitance Tolerance	±20% (20°C, 120Hz)						
Leakage Current(MAX)	$I=3\sqrt{CV}$ (After 5 minutes application of rated voltage) I =Leakage Current(μA) C =Capacitance(μF) V =Rated Voltage(V)						
Dissipation Factor(MAX) (tanδ)	<table border="1"> <tr> <td>Rated Voltage (V)</td> <td>400~450</td> <td>(20°C, 120Hz)</td> </tr> <tr> <td>tanδ</td> <td>0.20</td> <td></td> </tr> </table>	Rated Voltage (V)	400~450	(20°C, 120Hz)	tanδ	0.20	
Rated Voltage (V)	400~450	(20°C, 120Hz)					
tanδ	0.20						
Endurance	<p>After applying rated voltage with rated ripple current for 3000 hours at 105°C, the capacitors shall meet the following requirements.</p> <table border="1"> <tr> <td>Capacitance Change</td> <td>Within ±20% of the initial value.</td> </tr> <tr> <td>Dissipation Factor</td> <td>Not more than 200% of the specified value.</td> </tr> <tr> <td>Leakage Current</td> <td>Not more than the specified value.</td> </tr> </table>	Capacitance Change	Within ±20% of the initial value.	Dissipation Factor	Not more than 200% of the specified value.	Leakage Current	Not more than the specified value.
Capacitance Change	Within ±20% of the initial value.						
Dissipation Factor	Not more than 200% of the specified value.						
Leakage Current	Not more than the specified value.						
Low Temperature Stability Impedance Ratio(MAX)	<table border="1"> <tr> <td>Rated Voltage (V)</td> <td>400~450</td> <td>(120Hz)</td> </tr> <tr> <td>Z(-25°C)/Z(20°C)</td> <td>8</td> <td></td> </tr> </table>	Rated Voltage (V)	400~450	(120Hz)	Z(-25°C)/Z(20°C)	8	
Rated Voltage (V)	400~450	(120Hz)					
Z(-25°C)/Z(20°C)	8						

◆MULTIPLIER FOR RIPPLE CURRENT

Frequency (Hz)	60(50)	120	500	1k	10k≤
Coefficient	0.80	1.00	1.20	1.25	1.40

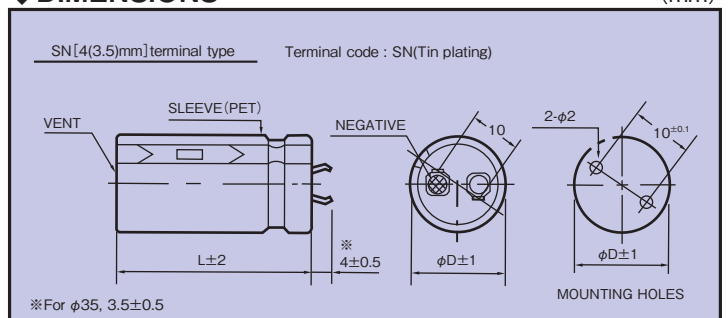
◆PART NUMBER



◆OPTION

	Code
PET Sleeve without plate	EFC

◆DIMENSIONS



◆ STANDARD SIZE

Cap(μF)	V.DC		400									
	φD		φ20		φ22		φ25		φ30		φ35	
68			20×25	0.94								
82			20×25	1.01	22×25	1.07						
100			20×30	1.18	22×25	1.15						
120			20×35	1.35	22×30	1.34	25×25	1.31				
150			20×40	1.56	22×35	1.55	25×25	1.43				
180			20×45	1.76	22×40	1.76	25×30	1.65	30×25	1.68		
220					22×45	1.99	25×35	1.90	30×30	1.88		
270					22×50	2.24	25×40	2.16	30×30	2.01	35×25	2.12
330							25×50	2.55	30×35	2.31	35×30	2.33
390									30×40	2.59	35×35	2.52
470									30×50	3.04	35×40	2.85
560											35×45	3.18
680											35×50	3.47

Cap(μF)	V.DC		420									
	φD		φ20		φ22		φ25		φ30		φ35	
68			20×25	0.92								
82			20×30	1.07	22×25	1.05						
100			20×35	1.23	22×30	1.22	25×25	1.20				
120			20×40	1.40	22×30	1.31	25×25	1.29				
150			20×45	1.60	22×35	1.52	25×30	1.51	30×25	1.49		
180			20×50	1.79	22×40	1.72	25×35	1.73	30×25	1.59		
220					22×50	2.03	25×40	1.97	30×30	1.85	35×25	1.74
270							25×45	2.22	30×35	2.12	35×30	2.04
330									30×40	2.41	35×30	2.16
390									30×45	2.68	35×35	2.45
470									30×50	2.98	35×45	2.92
560											35×50	3.23

Cap(μF)	V.DC		450									
	φD		φ20		φ22		φ25		φ30		φ35	
56			20×25	0.85								
68			20×25	0.92	22×25	0.97						
82			20×30	1.07	22×25	1.05						
100			20×35	1.23	22×30	1.22	25×25	1.20				
120			20×40	1.40	22×35	1.39	25×25	1.29				
150			20×50	1.66	22×40	1.60	25×30	1.51	30×25	1.49		
180					22×45	1.80	25×35	1.73	30×30	1.72		
220							25×40	1.97	30×30	1.85	35×25	1.74
270							25×50	2.32	30×35	2.12	35×30	2.04
330									30×45	2.53	35×35	2.33
390									30×50	2.80	35×40	2.61
470											35×45	2.92
560											35×50	3.23

