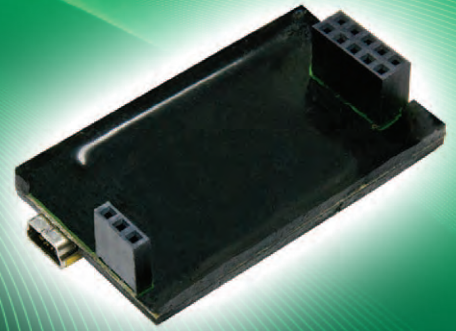


XPress™ Crypto Module

NIST FIPS 140-2 Certified Cryptographic Module

Cryptographic hardware module provides high-level security to products requiring NIST certified FIPS 140-2 encryption.



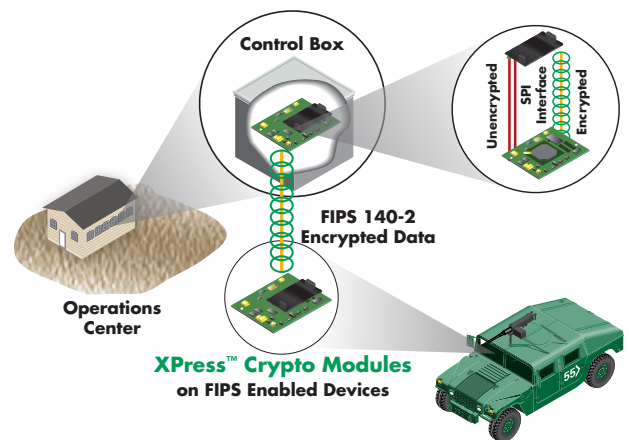
Overview

The XPress Crypto Module allows customers to design and build security products that can be fast-tracked for NIST FIPS 140-2 Level 2 certification. The module carries its own certification and provides data encryption in a secure hardware platform.

The module supports a Serial Peripheral Interface (SPI) and can be readily embedded in a host microcontroller circuit. A USB control interface allows passwords and encryption keys to be set from a PC, ensuring physical control over access to the configuration. The circuit board is treated with a government-approved, tamper-evident coating to protect encryption keys from being compromised.

The industrial temperature range (-40° C to +85° C) and small size (30 mm x 50 mm x 15 mm) ensure that the XPress Crypto Module can be placed in a wide variety of applications. The optional development kit allows new users to become familiar with the module and reduces product design time.

Application Highlight



Features/Benefits

- NIST certified FIPS 140-2 Level 2 encryption ensures secure communication
- Development kit and pre-certified modules enable fast-track FIPS 140-2 certification
- Mini USB Type B port allows easy configuration management with a PC or serial terminal
- AES 128-, 192- or 256-bit encryption up to 5 Mbps for user-specific applications
- 2 separately password-protected user modes, Crypto Officer and User, ensure secure day-to-day operation
- Tunable for low latency or optimized throughput

Related Products



Digi Passport® FIPS



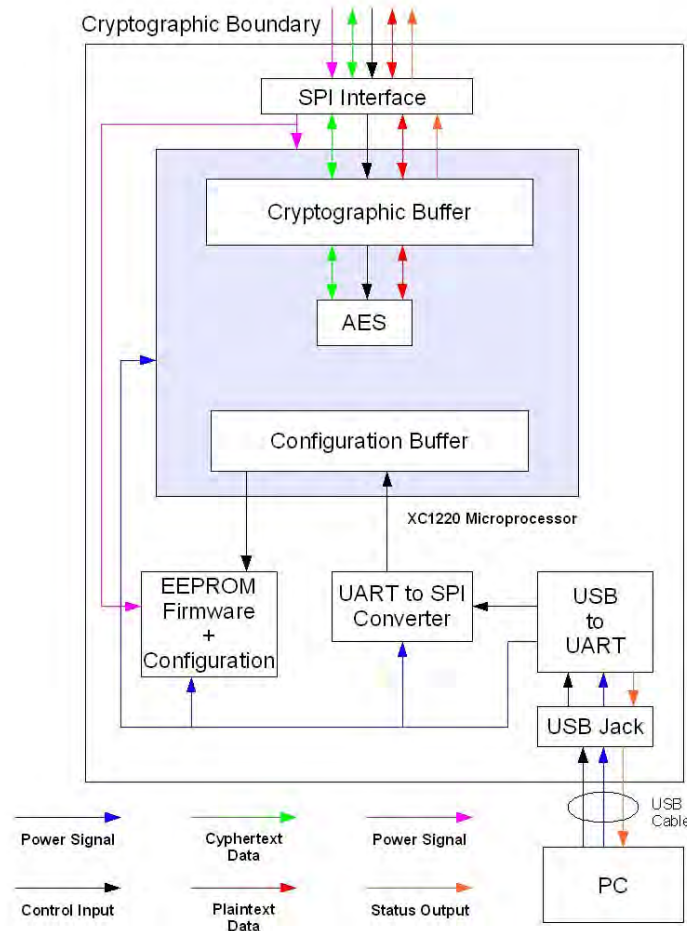
XPress™ Ethernet Bridge



Support



Features	
Encryption Throughput	5 Mbps
Certifications	NIST FIPS 140-2 Level 2, NIST FIPS 197
SPI Data Interface	2 x 5 pin header, 0.1" spacing plus 3 pin support header
SPI Clock Speed	Maximum 7 MHz; minimum 530 kHz
Command Interface	API Frames
Dimensions (L x W x H)	30 mm x 50 mm x 15 mm (including connectors)
Voltage Range	3.1 to 3.6 VDC
Power Consumption	45 mA @ 3.3 VDC (150 mW); 5 VDC from USB port of PC
Operating Temperature Range	-40° C to +85° C
Configuration interface	Mini USB Socket Type B



Visit www.digi.com for part numbers.

DIGI SERVICE AND SUPPORT - You can purchase with confidence knowing that Digi is here to support you with expert technical support and a two-year warranty. www.digi.com/support

Digi International
877-912-3444
952-912-3444
info@digi.com

Digi International France
+33-1-55-61-98-98
www.digi.fr

Digi International KK
+81-3-5428-0261
www.digi-intl.co.jp

Digi International (HK) Limited
+852-2833-1008
www.digi.cn



91001631
B1/311

BUY ONLINE • www.digi.com

