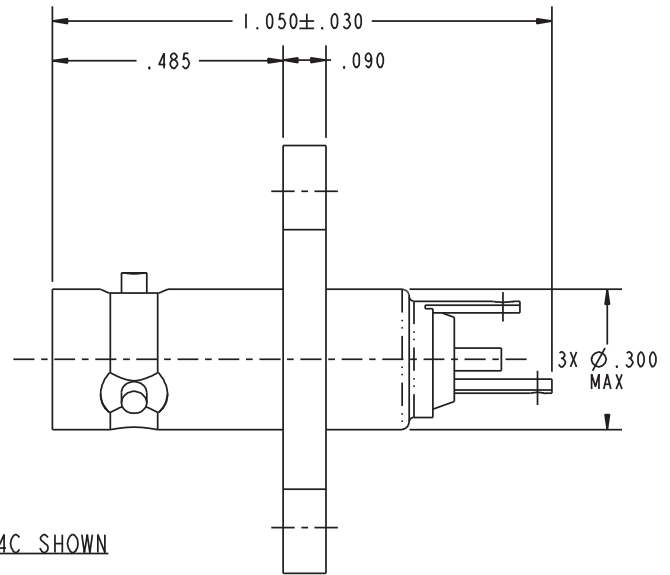
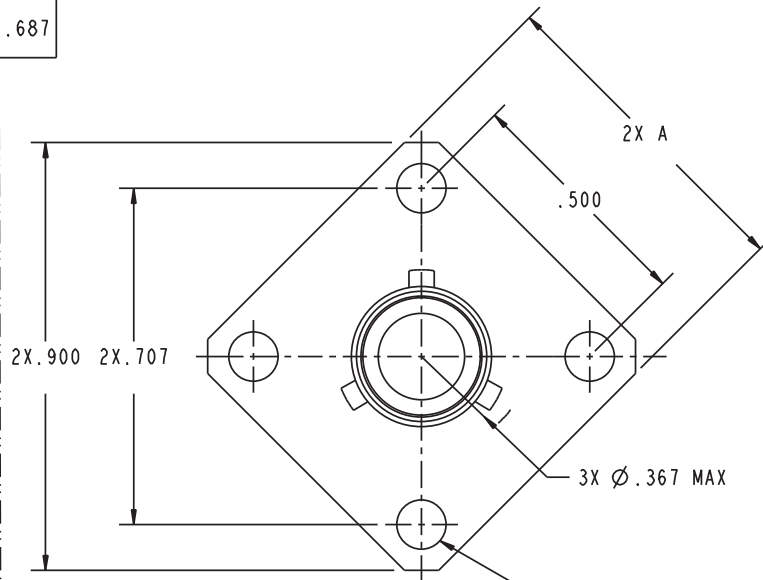
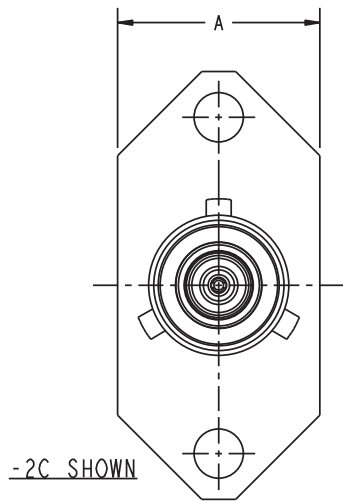


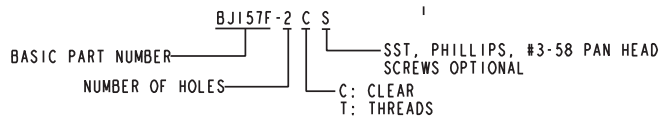
DASH NO	MODEL NO	MTG HOLE		Ø A
		TYPE	DESCRIPTION	
-2C	BJ157F-2C	CL	.103 Ø	.425
-2T	BJ157F-2T	THD	.099-56 UNF-28	
-4C	BJ157F-4C	CL	.103 Ø	.687
-4T	BJ157F-4T	THD	.099-56 UNF-28	
-2CS	BJ157F-2CS	CL	.103 Ø	.425
-2TS	BJ157F-2TS	THD	.099-56 UNF-28	
-4CS	BJ157F-4CS	CL	.103 Ø	.687
-4TS	BJ157F-4TS	THD	.099-56 UNF-28	

REVISIONS			
REV	DESCRIPTIONS	DATE	APPROVED
E	ECO 53565	8/2/11	BRR

DATA CONTAINED IN THIS DOCUMENT IS PROPRIETARY TO EMERSON CONNECTIVITY SOLUTIONS AND SHALL NOT BE UNCLASSIFIED, COPIED OR USED FOR REPRODUCTION OR MANUFACTURE WITHOUT EXPRESS WRITTEN PERMISSION



5. TYPICAL PART NUMBER: DEVELOPMENT



MTG HOLE-4 PLCS
SEE HOLE CHART

4. FEMALE SUBMINATURE CONCENTRIC TWINAX/TRIAX SOLDER POT 2 & 4 HOLE FLANGE MOUNT BULKHEAD JACK

3. SOLDER POT ACCEPTS .026 DIA CONDUCTOR

2. MAX PANEL THK .187

1 FINISH: TFS-1A (NICKEL)

NOTES: UNLESS OTHERWISE SPECIFIED.

INTERPRET DRAWING PER MIL-STD-100. DIMENSIONS ARE IN INCHES AND INCLUDE FINISH THICKNESS UNLESS OTHERWISE SPECIFIED.		TOL: UNLESS SPECIFIED: .XX ± .01 .XXX ± .003 .XXXX ± .0010 ANGLE ± 1° 00' CRITICAL		EMERSON Network Power Connectivity Solutions 299 Johnson Ave. Ste. 100 Waseca, MN 56093 1-800-247-8256	
DRN BPK 8/9/11 CWR BRR 8/13/11	MATERIAL: FINISH: 	TITLE: B J157F	SIZE B 14949	DRAWING NO. 3-0054	REV. E
BLANK LENGTH (REF. ONLY) N/A	APPROVED SURFACE AREA PROBE FILE NO. 3-0054	DO NOT SCALE DWG	SCALE 4/1	DATE 11/21/80	SHEET 1 OF 2