

Telegesis		TG-ETRX35xDVK-PM-012-101
ETRX35xDVK Development Kit		Product Manual 1.01

**ETRX35xDVK– TELEGESIS DEVELOPMENT KIT FOR ZIGBEE®
 TECHNOLOGY**

PRODUCT MANUAL



1 ETRX35xDVK – Development Kit Functional Summary



Devkit Features

- ZigBee Networking “Out-of-the-Box”
- Low cost evaluation platform for ZigBee wireless mesh networking
- Designed to set up a ZigBee mesh network in only a few minutes without the need for any embedded software
- The freely downloadable Telegesis Terminal Software application offers an easy to use interface to the modules on the development boards.
- Also works with 3rd party terminal software like HyperTerminal.
- Broad selection of modules allows range testing of any possible module/antenna combination.
- Seamlessly Integrates into the Ember InSight Toolchain
- Development boards can be used as hardware platform for trials
- Battery option allows easy prototyping of end devices
- USB Drivers available for Windows, MAC OS and Linux from www.telegesis.com

Module Features

- Based on the Ember EM351 and EM357 single chip ZigBee™ / IEEE802.15.4 solutions
- 2.4GHz ISM Band
- Industry’s first ARM® Cortex-M3 based family of ZigBee modules
- 192kB (ETRX357) and 128kB (ETRX351) flash and 12kbytes of RAM
- 24 general-purpose I/O lines including analogue inputs (all GPIOs of the EM35x are accessible)
- Lowest Deep Sleep Current of sub 1µA and multiple sleep modes

The two Telegesis ETRX351-DVK and ETRX357-DVK development kits are an ideal starting point for development and evaluation of the ETRX351 and ETRX357 series low power 2.4GHz ZigBee modules.

The ETRX351 and ETRX357 modules are based on the third generation Ember EM351 and EM357 chipset offering the industry’s highest wireless networking performance and application code space at the lowest power consumption.

The modules’ unique AT-style command line interface allows designers to quickly integrate ZigBee technology without complex software engineering. For custom application development the ETRX35x development kits integrate with ease into Ember’s InSight development environment.

Development Kit Contents

- 3 x USB Development Boards
- 3 x USB Cable
- 2 x ETRX35x on Carrier-Board
- 2 x ETRX35xHR on Carrier-Board
- 2 x ETRX35x-LR on Carrier-Board
- 2 x ETRX35xHR-LR on Carrier-Board
- 1 x ETRX2USB stick
- 2 x Large Antenna
- 2 x Small Stubby Antenna

Development Board Features

- Power can be supplied via USB, Power Jack or on board battery holder (2xAAA)
- Access to the Ember InSight Port
- Light and Temperature sensor
- 4 x Buttons, 2 x LEDs, 1 x Buzzer
- Reset and Bootload Button
- USB to Serial converter
- Breakout of all GPIO pins

Example AT-Style Commands

AT+BCAST	Sends a Broadcast
AT+UCAST:<address>	Sends a Unicast
AT+EN	Establish PAN network
AT+JN	Join PAN

Table of Contents

1	ETRX35XDVK – DEVELOPMENT KIT FUNCTIONAL SUMMARY.....	2
2	ABSOLUTE MAXIMUM RATINGS OF THE DEVBOARD.....	4
3	OPERATING CONDITIONS OF THE DEVBOARD	4
4	ELECTRICAL SPECIFICATIONS	4
5	INTEROPERABILITY	4
6	OVERVIEW.....	5
6.1	The Development Board.....	5
6.2	The carrier board	6
6.3	What’s in the ETRX35xDVK box?.....	6
7	SETTING UP THE HARDWARE	7
8	ETRX35X PINOUT.....	7
9	THE DEVELOPMENT BOARD	9
9.1	Development Board Interface Description	9
9.2	Development Board Sensors	11
9	THE CARRIER BOARD	12
10	DRIVER INSTALLATION AND OPERATION.....	12
10.1	Windows 9x/XP/2k Driver Installation	12
11	APPLICATION SOFTWARE	17
11.1	Software Set-up	18
11.2	Features of the Telegesis Terminal Application for ETRX35x	18
11.3	A Quick Start.....	19
11.3.1	Select the correct set of buttons	19
11.3.2	Network Setup	20
11.4	Configuring Buttons for your Setup.....	21
11.5	Temperature display	22
12	FIRMWARE UPGRADES.....	23
12.1	Firmware Upgrades via Serial Port.....	23
12.2	Over the Air Firmware Upgrades	25
12.2.1	Cloning.....	25
12.2.2	Recovering on the default channel	25
13	DEVBOARD SCHEMATIC	26
14	CARRIER BOARD SCHEMATIC	28
15	ETRX35X ORDERING INFORMATION	29
16	TRADEMARKS.....	30
17	DISCLAIMER.....	30
18	CONTACT INFORMATION	30
19	REFERENCES.....	30

2 Absolute Maximum Ratings of the Devboard

Parameter	Min.	Max.	Units	Condition
Supply Voltage V_{DD}	-0.3	9	V	
Voltage on any I/O pin	-0.3	3.3	V	
Storage Temperature range	-50	150	°C	

Table 1: Absolute Maximum Ratings

The absolute maximum ratings given above should under no circumstances be violated. Stress exceeding one or more of the limiting values may cause permanent damage to the device.



Caution! ESD sensitive devices. Precautions should be used when handling the device in order to prevent permanent damage.

3 Operating Conditions of the Devboard

Typical values at 5V 25°C.

Parameter	Min.	Typ.	Max.	Units	Condition
Supply Voltage, V_{DD}	4	5	6	V	
Supply Current			150	mA	TX with PA-Module
Operating ambient temperature range	-40	25	85	°C	

Table 2. Operating Conditions

The voltage regulators used are protected against overtemperature and overcurrent.

4 Electrical Specifications

See ETRX35x and ETRX35x-LR Product Manuals

5 Interoperability

Unless otherwise specified the Development kits ships with Telegesis R3xx firmware based on EmberZNet4.x. Please note that the R3xx Telegesis AT-Command line Interpreter is based on ZigBee PRO, but most of the functionality is implemented as a private application profile. Interoperability with wireless mesh networking solutions from other manufacturers is only possible when knowing the application profile specification of this device and using the provided transparent commands. If this is a concern please contact us for advice. Telegesis also offer separate firmware specifically developed for Smart Energy applications.

6 Overview

The ETRX35xDVK development kit has been designed to allow quick evaluation and prototyping using the ETRX35x ZigBee modules.

This document is intended to describe the hardware and accompanying software of the development kits. To learn more about the usage of the ETRX35x module please refer to the following documents:

- TG-ETRX35x-PM-010-xxx: ETRX35x Product manual
- TG-ETRX35x -LR-PM-011-xxx: ETRX35x-LR (long range) Product manual
- TG-ETRXn-R3xx-Commands: AT Style command dictionary for firmware R3xx

All our documents can be found at http://www.telegesis.com/support/document_centre.htm.

The ETRX35x module is available in eight variants, with the ETRX351 or ETRX357:

- ETRX35x – with on-board ceramic antenna and 8dBm output power
- ETRX35xHR – with Hirose coaxial connector and 8dBm output power
- ETRX35x-LR – with on-board ceramic antenna, LNA and 19dBm output power
- ETRX35xHR-LR – with Hirose coaxial connector, LNA and 19dBm output power

6.1 The Development Board

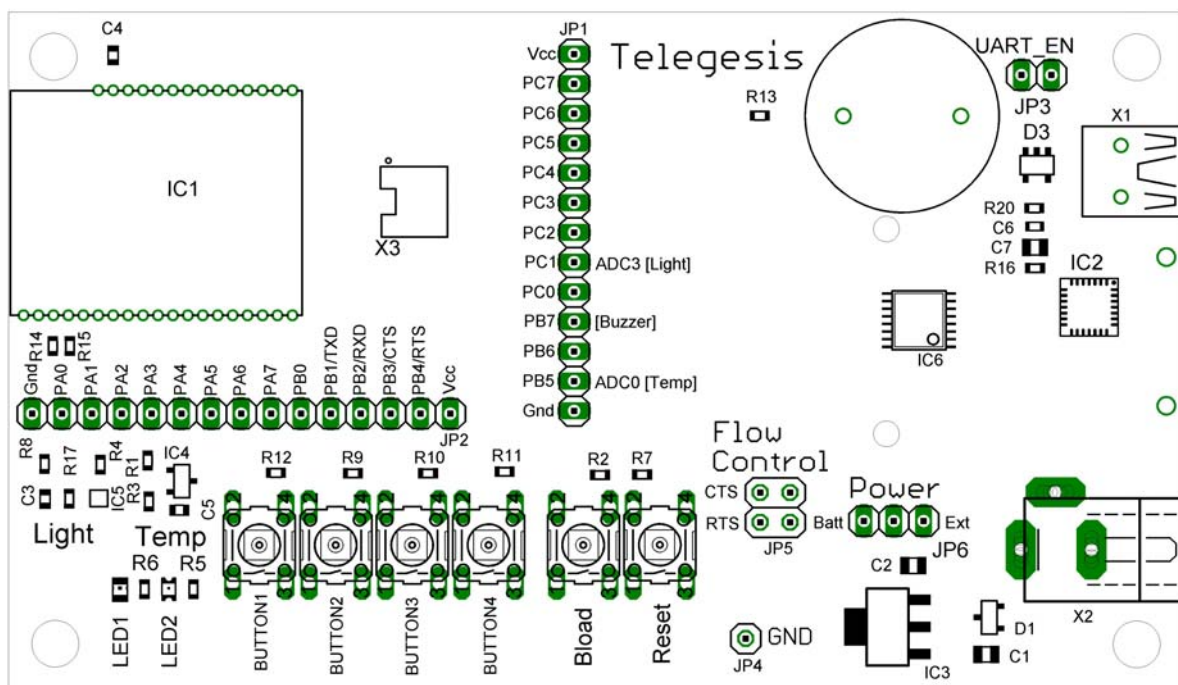


Figure 1. The development board

The development board which is part of the development kit hosts a USB to serial bridge as well as voltage regulation circuitry. Furthermore it hosts a reset switch, a bootloader switch, 4 buttons,

2 LEDs and a beeper, all of are connected to the I/Os of the module as described later in this document.

6.2 The carrier board

The carrier board has an ETRX35x module plus two LEDs, and a connector to attach to an Ember InSight Adaptor for reflashing the firmware. It plugs on to the development board.

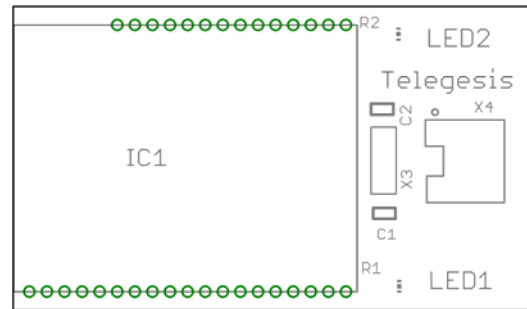


Figure 2. The carrier board

6.3 What's in the ETRX35xDVK box?

- 3 x ETRX35xDV Development Boards
- 3 x USB cables
- 2 x ETRX35x on carrier boards
- 2 x ETRX35xHR on carrier boards
- 2 x ETRX35x-LR on carrier boards
- 2 x ETRX35xHR-LR on carrier boards
- 1 x ETRX2USB USB stick
- 2 x ½-wave antennae
- 2 x ¼-wave antennae

These packages contain everything you need to immediately set up an ETRX35x development platform using the enclosed modules. The USB stick contains an ETRX2 rather than an ETRX35x and enables you to verify that the two devices can operate together in the same network.

7 Setting up the Hardware

In the development kits are all four versions of the module. They can be powered from either a USB hub, the mains (via a suitable power supply) or batteries.

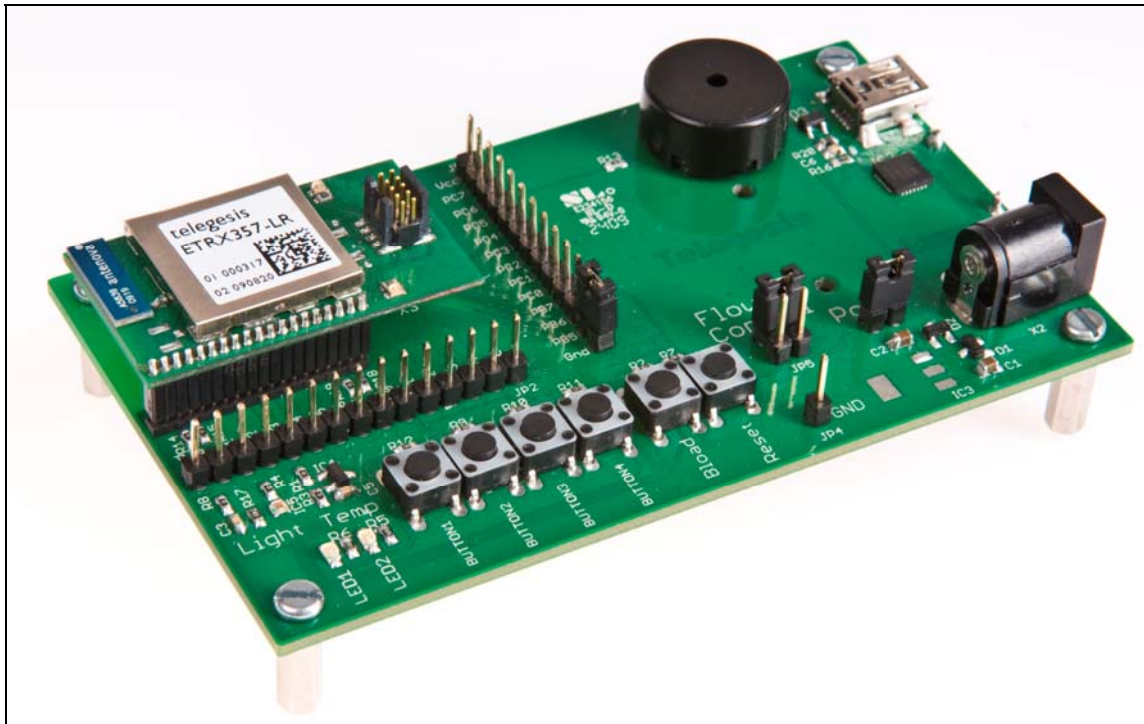


Figure 3. ETRX357-LR Module on Carrierboard plugged on to Devboard

8 ETRX35x pinout

The functions of each of the ETRX35x pins depend on the firmware. When using the Telegesis AT command-based firmware the S-register settings control the configuration of the I/Os. Some of them have a main function and an alternate function, as determined by the value of register S15. Holding pad PA5 low when powering up or resetting the module will cause it to enter the bootloader mode; this operation lies outside the normal firmware so it is independent of the value of S15. As the functions are firmware-dependent and may change between versions, Table 3 should be read in conjunction with the latest R3xxC AT Command Manual.

Notes on Table 3

Name is the designation of both the ETRX35x pad and the EM35x chip pin.

Index can be used to reference the individual pin in various S-registers (see the R3xx AT Command Manual)

Pad is the module's pad numbering

Default direction indicates whether the pad is normally an input or output

Main function and **Alternate function** indicate the purpose and connection of the pad

Default alt fn setting indicates whether the default firmware setting chooses the main or alternate function

Name	Index	Pad	Default direction S17= 0142CC	Main function	Alternate function	Default alt fn setting S15= 000600
PC7	17	4	In			
PC6	16	3	In			
PC5	15	2	In		Enable TX_active (on ETRX357-LR)	
PC4	14	24	In			
PC3	13	23	In			
PC2	12	22	In			
PC1	11	26	In		ADC3 (light sensor)	
PC0	10	27	Out	LED		
PB7	F	28	In		ADC2, PWM	
PB6	E	29	Out	LED, Button 4, IRQ3	ADC1	
PB5	D	30	In		ADC0 (temp sensor)	
PB4	C	8	In			
PB3	B	6	In			
PB2	A	18	In		RXD	Enabled
PB1	9	17	Out		TXD	Enabled
PB0	8	25	In	Button 3, IRQ2		
PA7	7	5	Out	LED		
PA6	6	16	Out	LED		
PA5	5	15	In	(Bootload)		
PA4	4	14	In			
PA3	3	12	Out	Sensor supply		
PA2	2	11	Out	Sensor supply		
PA1	1	10	In	Button 2, IRQ1		
PA0	0	9	In	Button 1, IRQ0		

Table 3. Module pads and functions

The IRQS are always enabled; it is not necessary to activate the alternate function

The ADCs are normally disabled; it is necessary to activate the alternate function

In a development kit, the sensor supply outputs PA2 and PA3 must be high for the sensors to function.

9 The Development Board

9.1 Development Board Interface Description

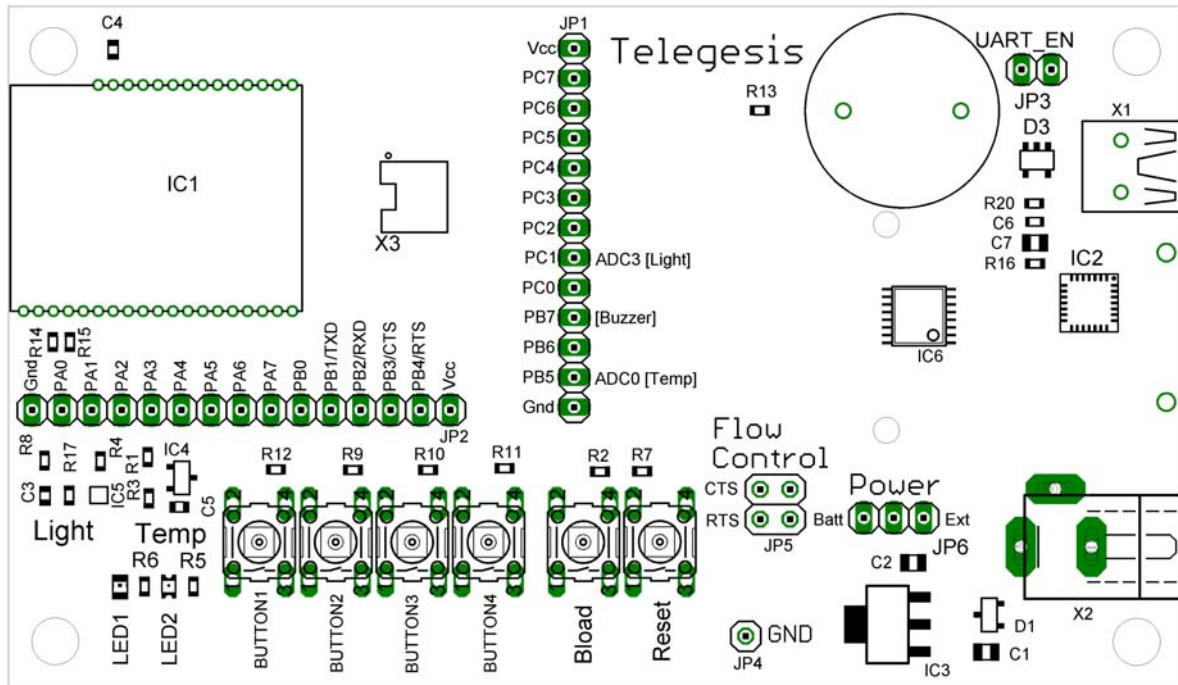


Figure 4. The development board

Figure 4 shows the location of the connectors described below.

Programming Connector: The 10-way programming connector X3 is used to program the ETRX35x module from an Ember InSight Adaptor. It is duplicated on the carrier board, and will not normally be fitted in the Development Board.

USB Port: The USB serial port allows connectivity to a PC. This provides access to the command line interface and the bootloader for firmware upgrades, and supplies DC power to the board.

I/O connection: JP1 and JP2 can be used to connect the I/O pins as shown in Table 4.

Reference Ground: JP4 is connected to the devboard's ground plane. It can be used as a reference point when making measurements on the devboard.

I/O breakout:

JP1 and JP2 give access to the I/O on the ETRX35x module. The individual pins are labelled on the circuit board, and the pin numbering (PA0, PB1 etc) matches that of the EM35x chip inside the module.

Pin	Devboard functionality
PA0	Button1
PA1	Button2
PA2	Temp sensor supply
PA3	Light sensor supply
PA5	Bootloader button
PB0	Button3
PB1	TXD
PB2	RXD
PB3	CTS
PB4	RTS
PB5	ADC0 (Temp sensor reading)
PB6	Button4
PB6	LED1
PB7	Buzzer
PC0	LED2
PC1	ADC3 (Light sensor reading)

Table 4. I/O Connectivity on development board

Flow Control Selection: JP5 is used to connect the RTS and CTS lines used for the flow control to the host. By default flow control is disabled and the corresponding lines of the module are used as standard I/Os (see the AT command dictionary on how to enable flow control), so the default setting of JP5 does not connect those lines to the host as shown in Figure 5. When flow control is enabled JP5 must be set as shown in Figure 6. Please make sure the jumpers are only set to this configuration when flow control is enabled as otherwise I/Os driving against each other (via a protective resistor) will increase the current consumption.

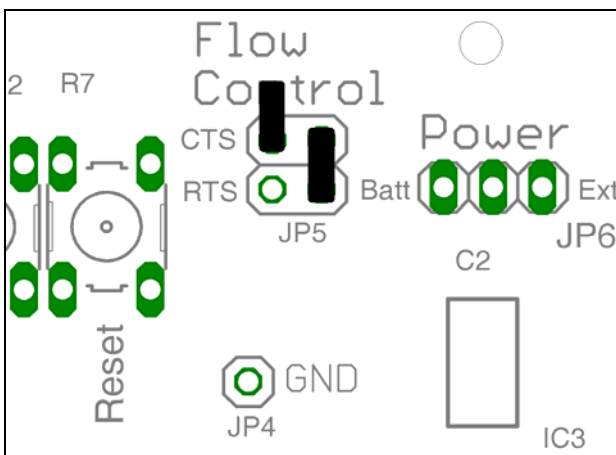


Figure 5. No Flow Control (default)

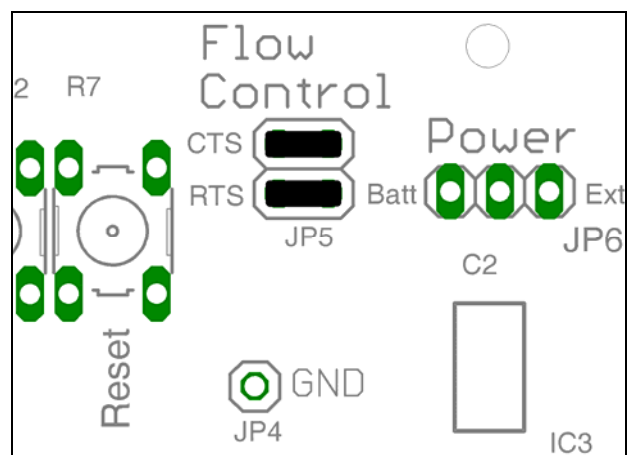


Figure 6. Flow control enabled

Power supply jumpers: links must be inserted at JP3 and JP6 according to the DC supply feed. JP3 can be left connected at all time, but it disconnects the serial interface lines and prevents power drain through them when the serial (USB) interface is not used. This will minimise the current drain from a battery and produce a more accurate reading of the current consumption.

It is permissible to attach a USB connection while the board is powered from a battery or external supply.

There are three options:

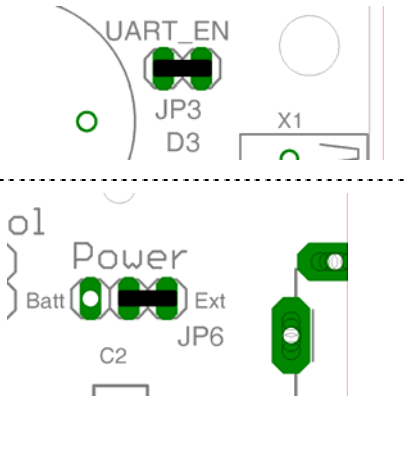
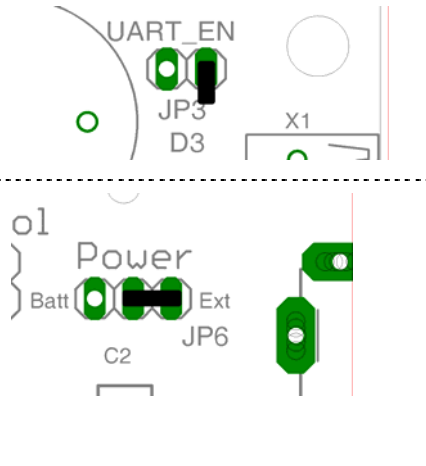
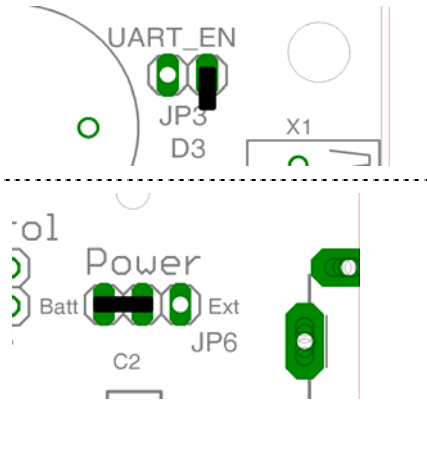
USB power	External power through the X2 socket	Battery power
		
Insert JP3. Connect the centre pin of JP6 to 'Ext'.	Optionally, omit JP3. Connect the centre pin of JP6 to 'Ext'.	Optionally, omit JP3. Connect the centre pin of JP6 to 'Batt'.

Figure 7. Power feed options

Instead of a shorting link, a current meter can be inserted at JP6 to monitor the power consumption.

9.2 Development Board Sensors

The board's temperature sensor is a National Semiconductor LM61 which has an offset of 600mV and a sensitivity of 10mV/deg. Hence for example 0°C give 600mV and 20° gives 800mV.

The light sensor is an Avago APDS 9005; it indicates ambient light level but is not suitable for accurate measurements.

9 The Carrier Board

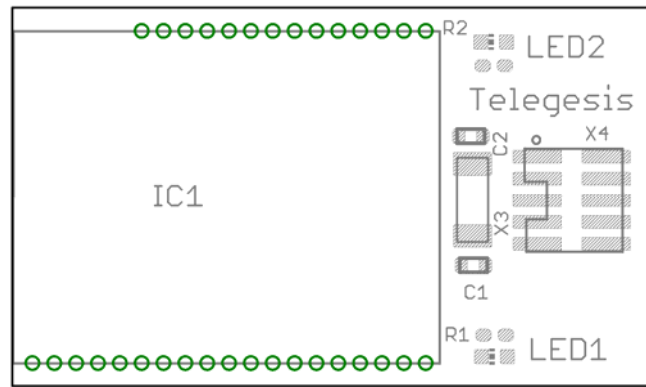


Figure 8. The carrier board

The ETRX35x carrier board has two LEDs.

Pin	Carrier board functionality
PA6	LED1
PA7	LED2

Table 5. Carrier board LEDs

Programming Connector: The 10-way programming connector X4 is used to program the ETRX35x module from an Ember InSight Adaptor.

Watch crystal: an optional 32kHz crystal and its associated capacitors can be fitted at X3, C1 and C2. In this case, R14 and R15 should be removed from the main development board. The use of this crystal is dependent on the user's firmware and the latest Ember documentation should be consulted for details of the circuit design.

10 Driver Installation and Operation

The ETRX35x development board uses the same USB-to-serial device as the ETRX2 products, so the same USB drivers can be used. The ETRX2USB drivers obtainable from www.telegesis.com/telegesis_zigbee_technology_-_technical_support_/software_download.htm will generate a virtual COM port allowing easy access to the serial port of the embedded ETRX35x. The development kit board and the USB stick use the same drivers so you only need to install them once.

10.1 Windows 9x/XP/2k Driver Installation

Install the drivers before connecting the development kit using the provided USB cable. The driver package should be unzipped into a local folder. When executing the file 'TgVCPInstaller.exe' an installer will guide you through the steps required for the driver installation. If prompted that the driver hasn't passed the Windows logo test simply press 'Continue Anyway'.



Figure 9. Windows Logo Test

The installer will first ask you to confirm the location for the files:

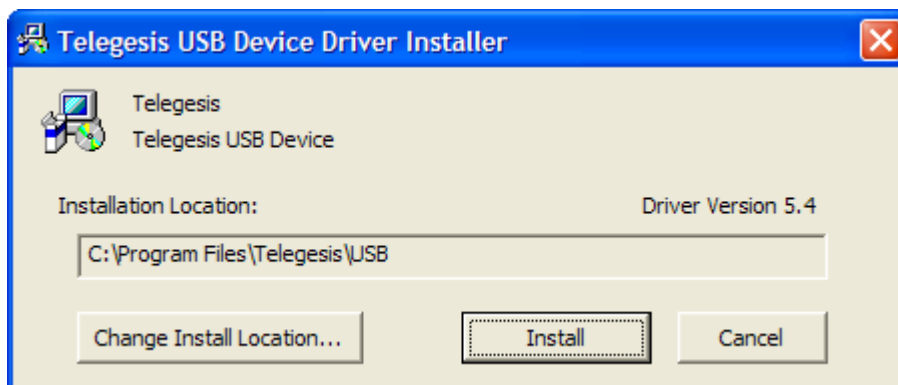


Figure 10. File location

After the files are installed you may have to restart the computer:

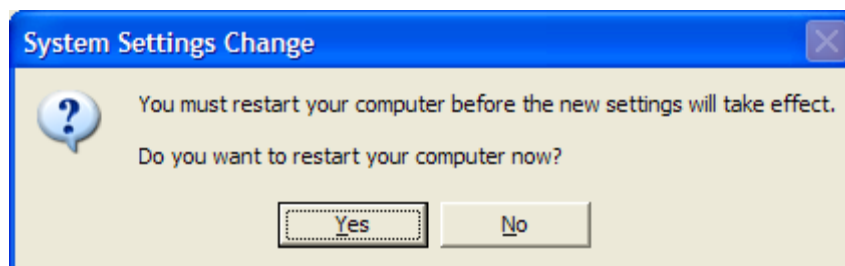


Figure 11. Request to restart

After you connect the devboard Windows® will prompt that new hardware has been found. If you have run the 'TgVCPInstaller.exe' Windows will be able to install the driver by automatically as shown in Figure 13. If you have not run 'TgVCPInstaller.exe' you will have to manually point to the directory into which you have unzipped the driver. Depending on your PC setup Windows may ask to check the internet for updated drivers, but there is no point in doing this.



Figure 12. Found New Hardware Wizard

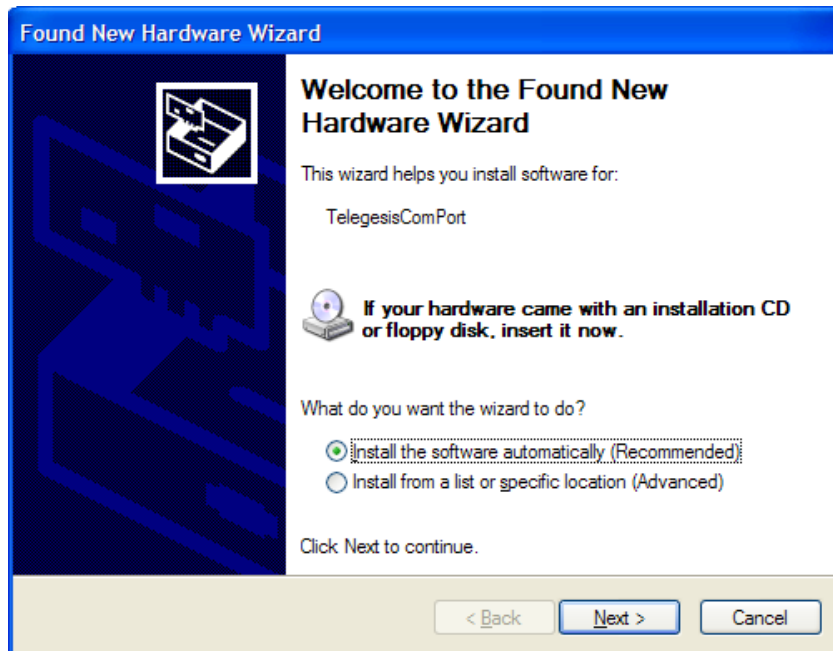


Figure 13. Install software Automatically

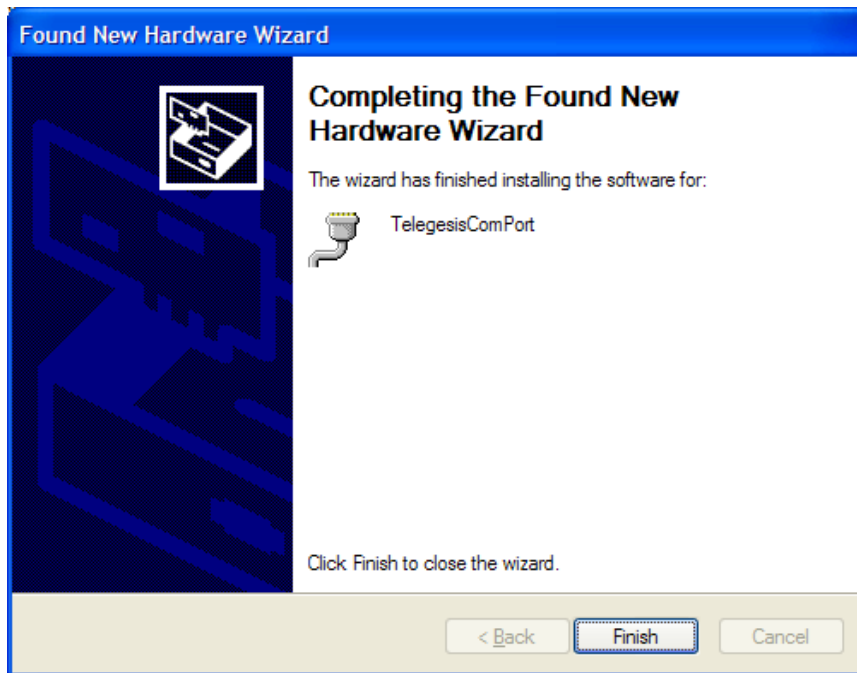


Figure 14. Satisfactory completion

Please note that each devboard and USB stick has a unique serial number which requires the installation procedure to be repeated with every new unit being attached to the computer. This allows multiple devices to be used on the same computer at any one time.

In order to find out the identity/number of the virtual COM port the devboard or USB stick has been assigned to, please open the Device Manager under the Windows Computer Management screen (see below) and click on the Ports (COM and LPT) section where you should find the new virtual COM port. By double clicking on the entry of the virtual COM port you can also change the number assigned to the virtual COM port when entering the advanced setup of the device.

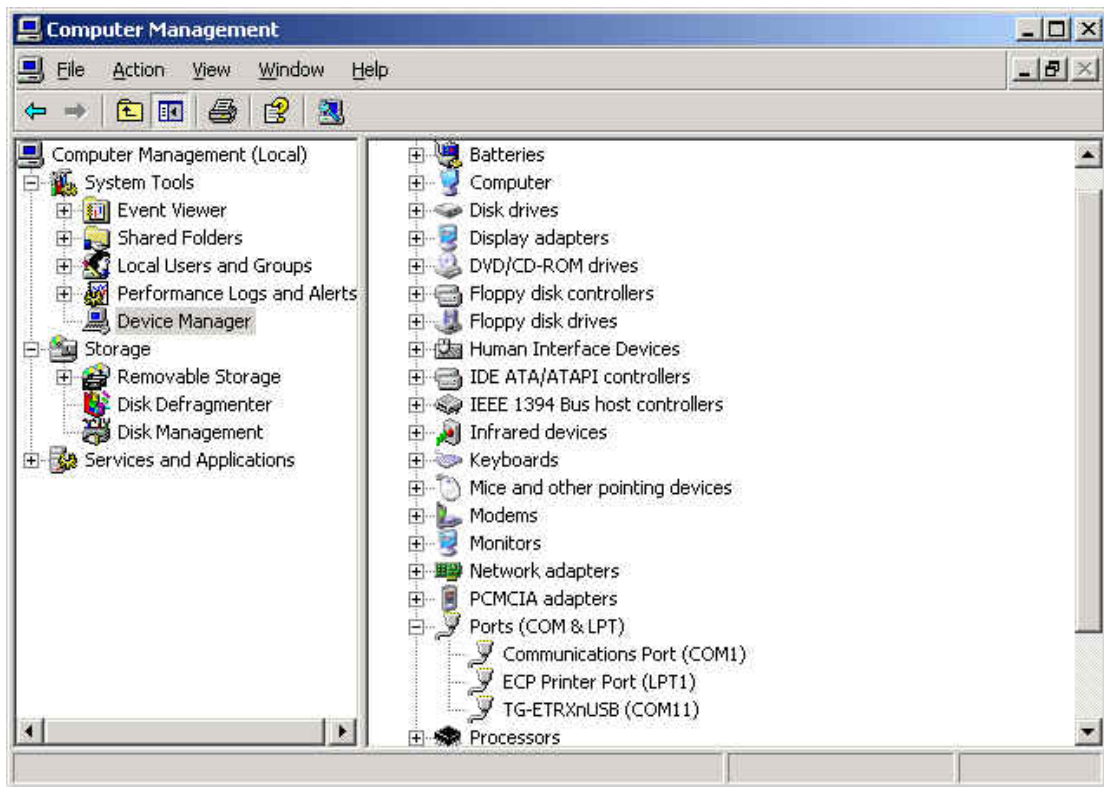


Figure 15. Device Manager

Once the correct COM port has been selected, the Telegesis Terminal software can be used to control the devboard as described in chapter 10.

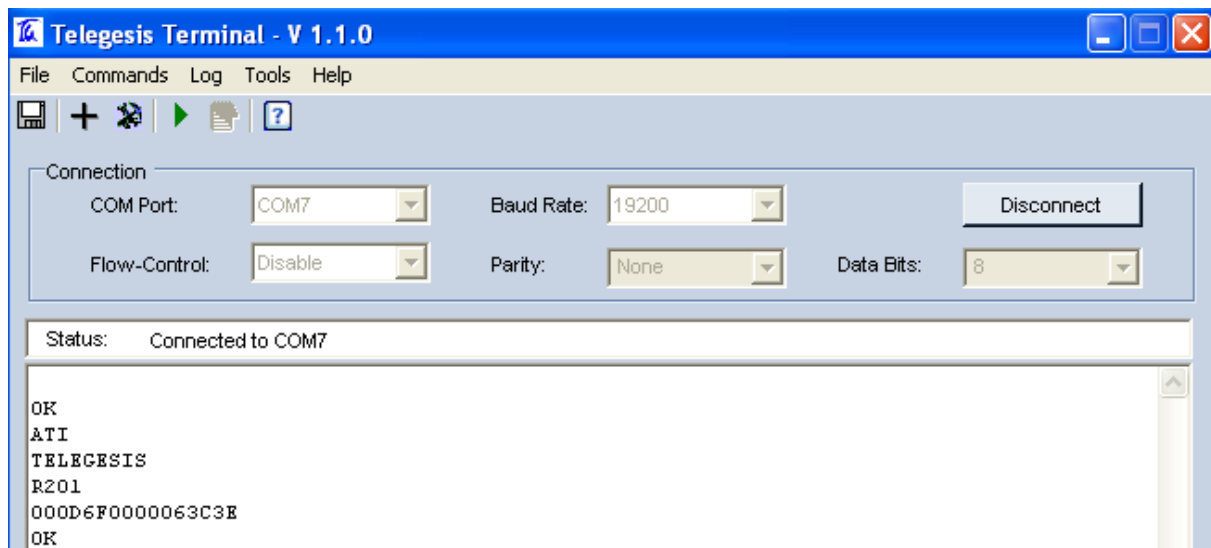


Figure 16. Telegesis Terminal

11 Application Software

The command line of the ETRX35x can be accessed using any terminal software program such as HyperTerminal®. Simply set up HyperTerminal® to connect to the appropriate COM port at 19200bps, Data bits - 8, Parity - none, Stop bits - 1, Flow Control – none (ETRX35x factory default).

To speed up evaluation Telegesis provides its own Terminal Application Software program which allows enhanced functionality especially suited to the ETRX35x modules. The AT-Style commands can be issued by clicking on customisable ‘Command’ buttons and all of the 64-bit serial numbers which report are listed in a separate window. This means you will not need to input any of the 64-bit serial numbers.

For instructions on how to use the AT commands read the R3xx AT Command Manual.

Note: Telegesis Terminal does not interpret the AT commands and send instructions to the ETRX35x in different format. It does not alter the AT commands in any way – the ETRX35x receives them exactly as described here and in the AT Command Manual. Likewise, if you are writing your own terminal application, it should send and receive data as formatted in our manuals.

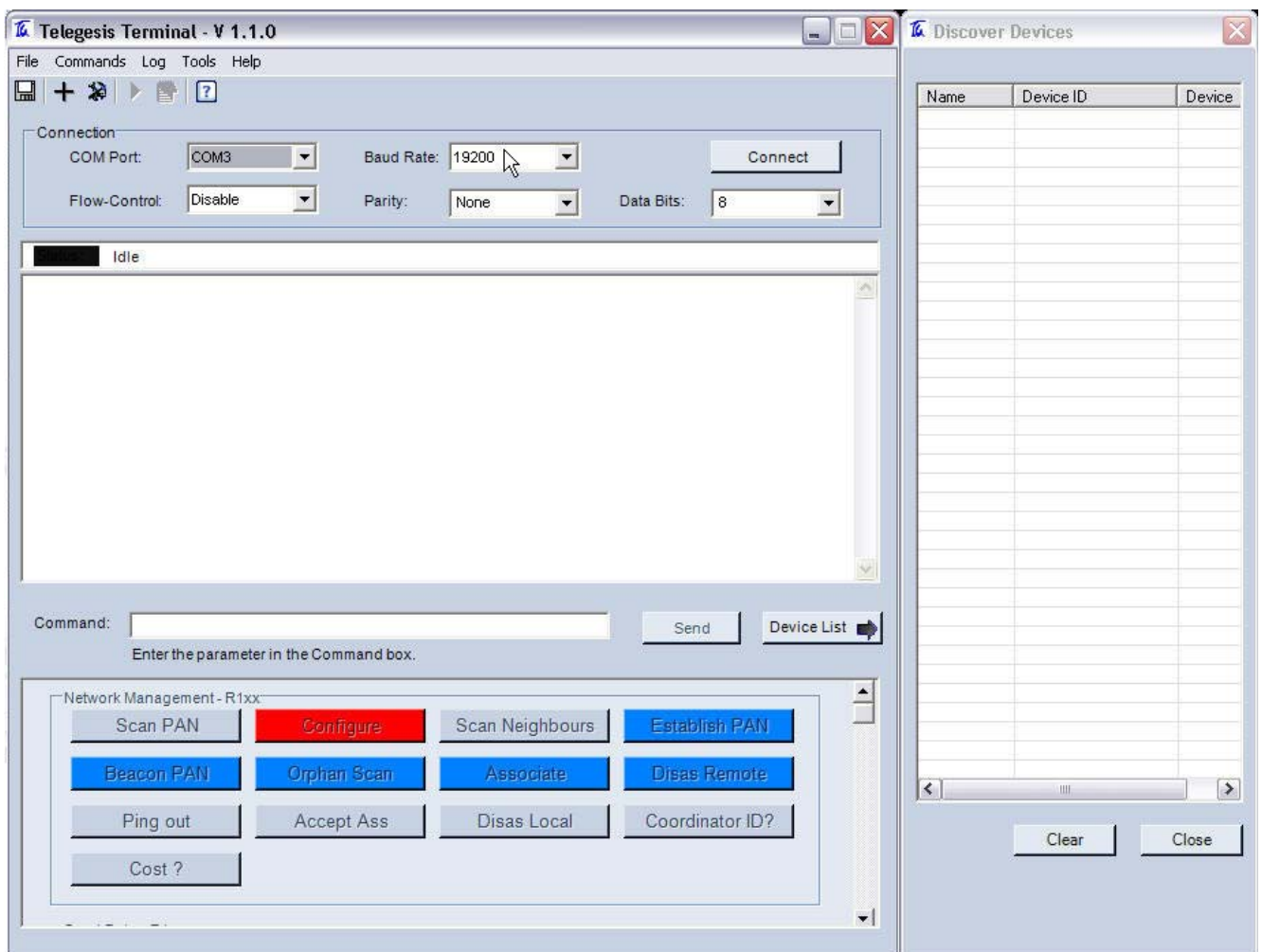


Figure 17. Appearance of the Telegesis Terminal Application Software

11.1 Software Set-up

Before installing Telegesis Terminal, you must install .NET Framework Version 1.1 Redistributable Package from Microsoft. This is currently available at

www.microsoft.com/downloads/browse.aspx?displaylang=en&productID=C9C8FCFB-BFF3-40CA-B59D-216F6850000A.

Note that Version 2 or later is not sufficient as it supplements Version 1.1 but does not replace it.

Then download Telegesis Terminal from our website at www.telegesis.com/telegesis_zigbee_technology_-_technical_support_/telegesis_terminal.htm. After installing the Telegesis Terminal Application program the command buttons for the firmware will be shown at the bottom of the window. In order to use the Telegesis Terminal software, select the correct COM port and the connection parameters (ETRX35x default 19200, 8 bits, no parity, no flow control) and press the connect button. These settings are automatically retained each time the software is re-started.

11.2 Features of the Telegesis Terminal Application for ETRX35x

To make life easier all of the commands have been pre-defined and conveniently grouped at the bottom of the terminal window. Pressing a button (where no parameters are required) causes the corresponding command to be issued instantly. Where a parameter is required the command is shown in the Command bar and the required parameter can be entered manually. In order to issue the command from the command bar simply press the <enter> or the Send button. To see the parameters for a specific command, move and hold the mouse pointer over the chosen command button - Figure 18.

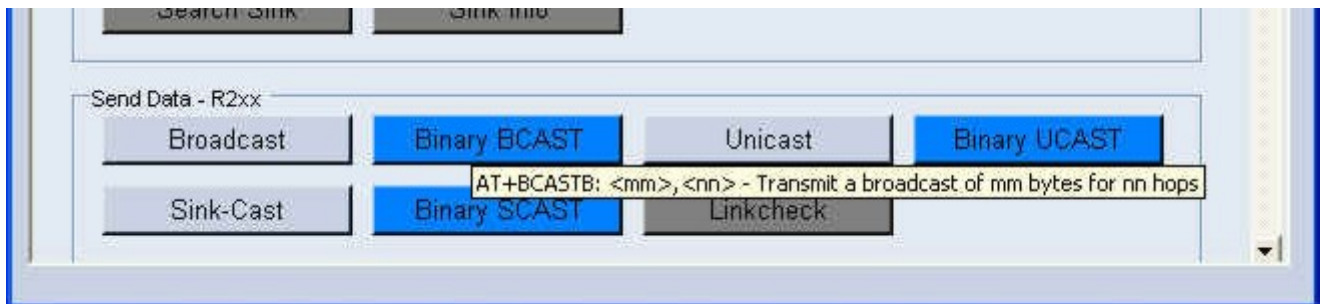


Figure 18. Screen tips for parameters

Every EUI64 number reporting in is listed in a separate window which can be opened or closed by clicking on the button labelled '**Device List**'. If a device ID is required as a parameter in the command bar, simply double click on an entry in the device list and its EUI64 will be automatically transferred to the current cursor position of the command bar.

To allow for easier identification, the EUI64 IDs in the device list can be named. When right clicking on any EUI64 ID a name can be associated with the respective ID - Figure 19.

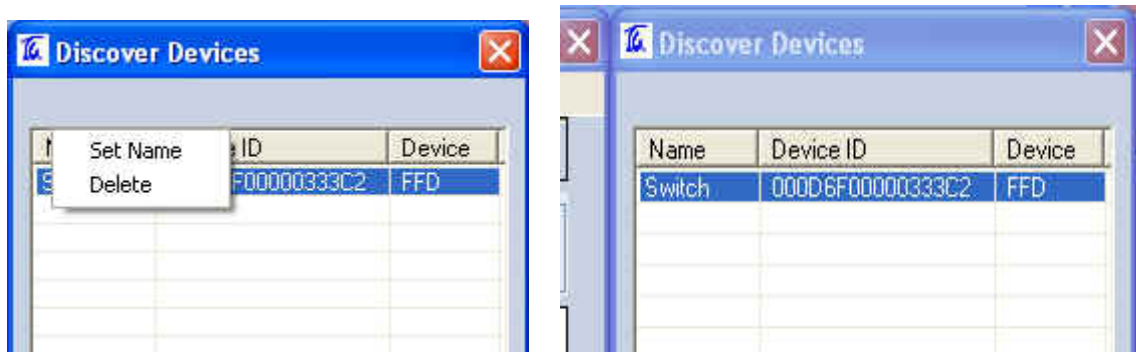


Figure 19. Device Naming

The application software also allows you to add custom command buttons and edit existing command buttons. New groups of commands can be created and command buttons can be moved between groups. To learn more about how to do this please refer to the help files of the Telegesis Terminal Software by selecting **Help / Contents**.

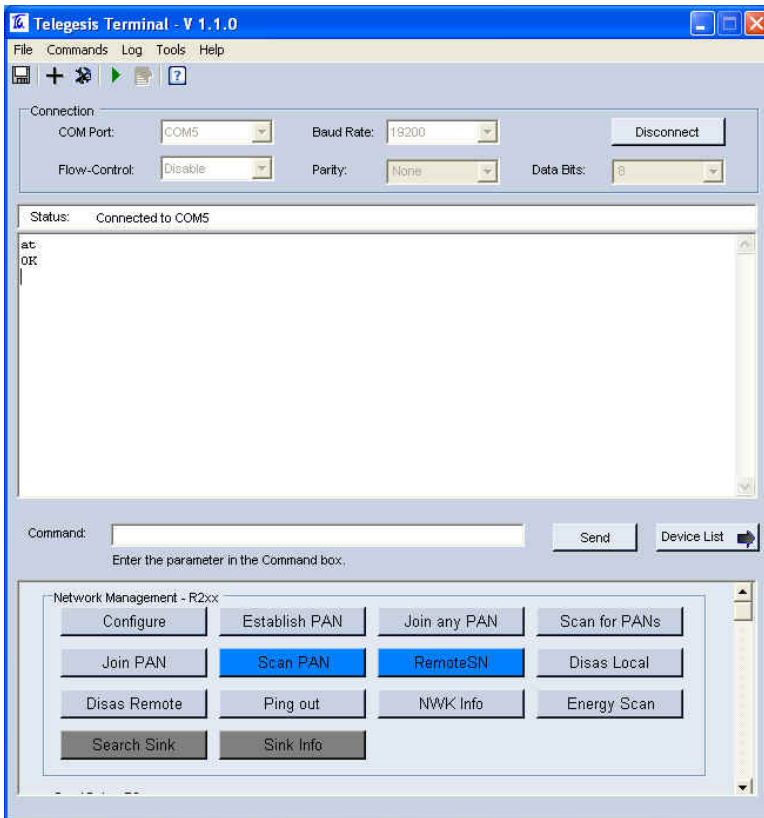
11.3 A Quick Start

This section gives you a quick introduction on how to get started. Power up the node connected to the PC and type **AT** followed by **<enter>**. If the communication to the module is working the module will prompt **OK**, if not check the USB connectivity and driver status and make sure you have connected to the correct COM port with the correct speed. Please note that even when connected to the wrong COM port there may be a reply to AT, for example when you are communicating with your PC's modem or Bluetooth device. To double check you are actually communicating with a Telegesis ZigBee device use the ATI command described below.

11.3.1 Select the correct set of buttons

Type **ATI<enter>** to verify your firmware version (eg R302C). Then select File → Open Layout on the menu bar and open the R3xx.xml file as appropriate. This attaches the correct set of AT commands to the buttons. You can create your own button configurations for different situations and save them as separate files. Telegesis Terminal starts up using the configuration of the previous session.

11.3.2 Network Setup



To establish a PAN network issue the **AT+EN** command, or alternatively press the **'Establish PAN'** button.

The local unit will now scan all available 16 channels and establish a PAN with a random PAN ID, on the quietest available one. This may take up to 16 seconds and leads to the node becoming the networks coordinator. When successful the module will prompt **'JPAN'** followed by the details of the newly created PAN. If you get an error message instead, it is likely that the module was already part of a PAN, so you will need to issue the **AT+DASSL** command or press the **'Disas Local'** button to leave the PAN before going back to starting a new one. In order to find out about the network status simply issue the **AT+N** command or press the **'NWK Info'** button.

Figure 20. Command Line Interactions

Once the network is established, remote nodes can be powered up ready to join in. If you have serial access to remote nodes simply issue the **AT+JN** command or press the **'Join any PAN'** button, to join the newly established PAN. If you don't have serial access to the remote nodes (as is the case of the two MCBs provided with the previous ETRX2 based DVKA) you will just need to wait for them to join the network automatically. By default, once every minute, all nodes (except coordinators) are set up to check whether there are any neighbours on the same PAN nearby, or if they have been orphaned. If no neighbours are found after 5 consecutive tries, the unit will leave the (deserted) PAN and try to join into a new one, once every minute.

This initial network set-up can take a few minutes, especially with no serial access to remote nodes, but once the network is set up it will remain set even after power cycles. New nodes joining will cause a prompt **'NEWNODE:'** on the remote side and display the **JPAN** message locally as described above.

To learn more about setting up and maintaining a PAN please refer to the user guide and the AT Command Dictionary.

11.4 Configuring Buttons for your Setup

You can easily discover the basic principles of mesh networking. Simply move a Development Board out of range (if you do not have enough space simply turn the transmit power down or put it behind a metal screen) and then add another Development Board between the local node and the one which is out of range and you will find that the network has healed the broken link and all three nodes are accessible again.

If you have more than a single module connected to a PC try sending messages between the PCs using the Broadcast or Unicast buttons. This will begin to give you an understanding on how to integrate the ETRX35x into your application. The Telegesis Terminal Application also allows you to create custom command buttons for your individual application, just click on **Commands / Add command button**.

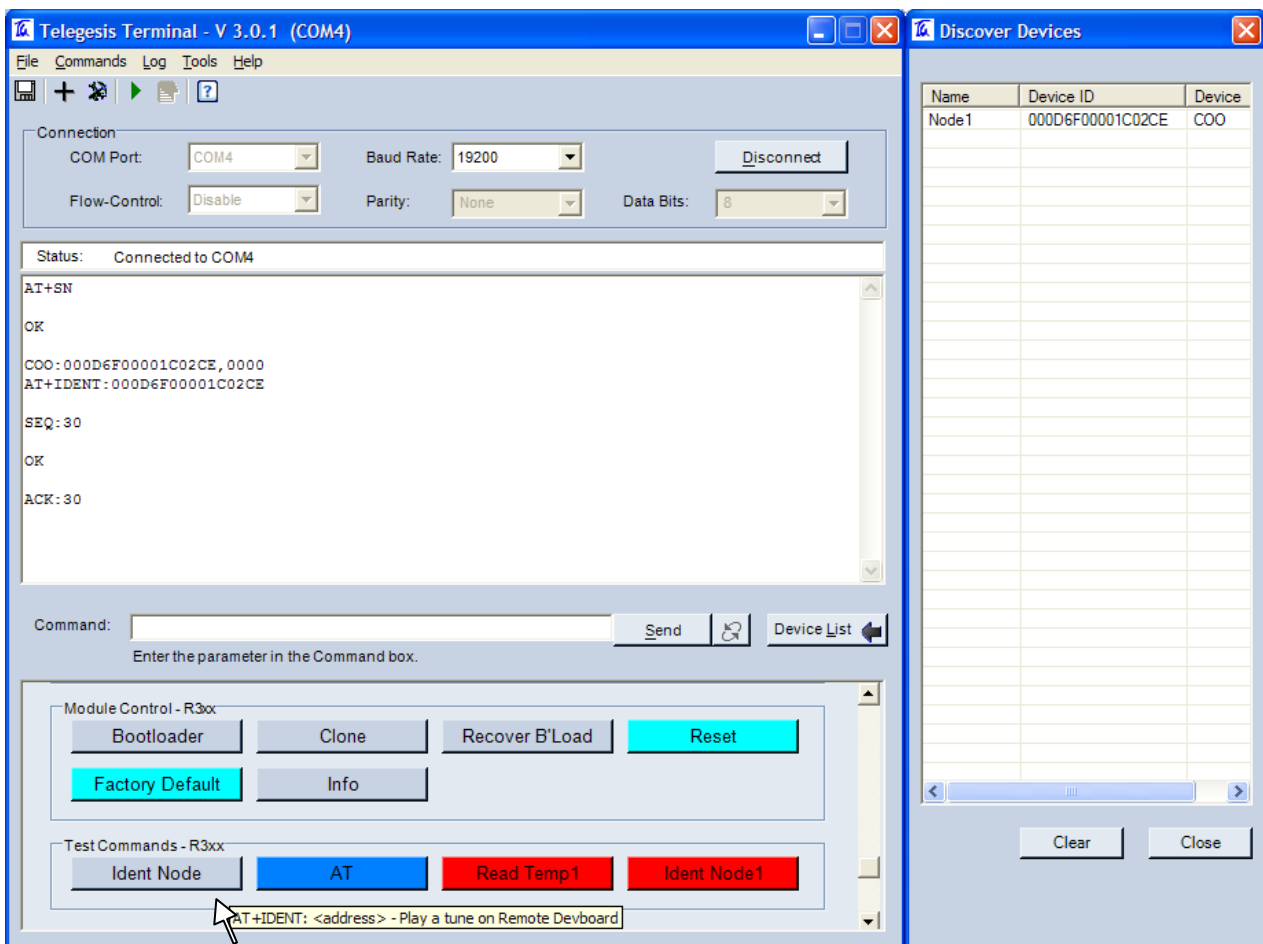


Figure 21. Using the buttons

For a more detailed description of the AT command interface please refer to the application notes and user guides for firmware revision R3xx.

As Telegesis Terminal was written for the ETRX2, its “Config” button generates extra buttons to turn LEDs on and off that are incorrect for the ETRX357. The extra “Ident Node” buttons function correctly, though.

11.5 Temperature display

Telegesis Terminal includes a demonstration of how data can be collected from remote nodes and displayed on a central “sink” node. To activate the graph function:

1. Define the module on the data-gathering development board as the network sink with the command

```
ATS104=1
```

2. Instruct one or more Carrier Boards to send their ADC readings at regular intervals by setting a Timer/Counter on the CB, eg to send every second using Timer/Counter 5 set:

```
S33=0004
S34=8110
```

3. Activate the temperature sensor ADC on each Carrier Board with the command

```
ATS15D=1
```

4. Turn on the sensor power on each Carrier Board with the command

```
ATS182=1
```

5. Activate the graph by selecting Tools -> R2xx Temperature Awareness

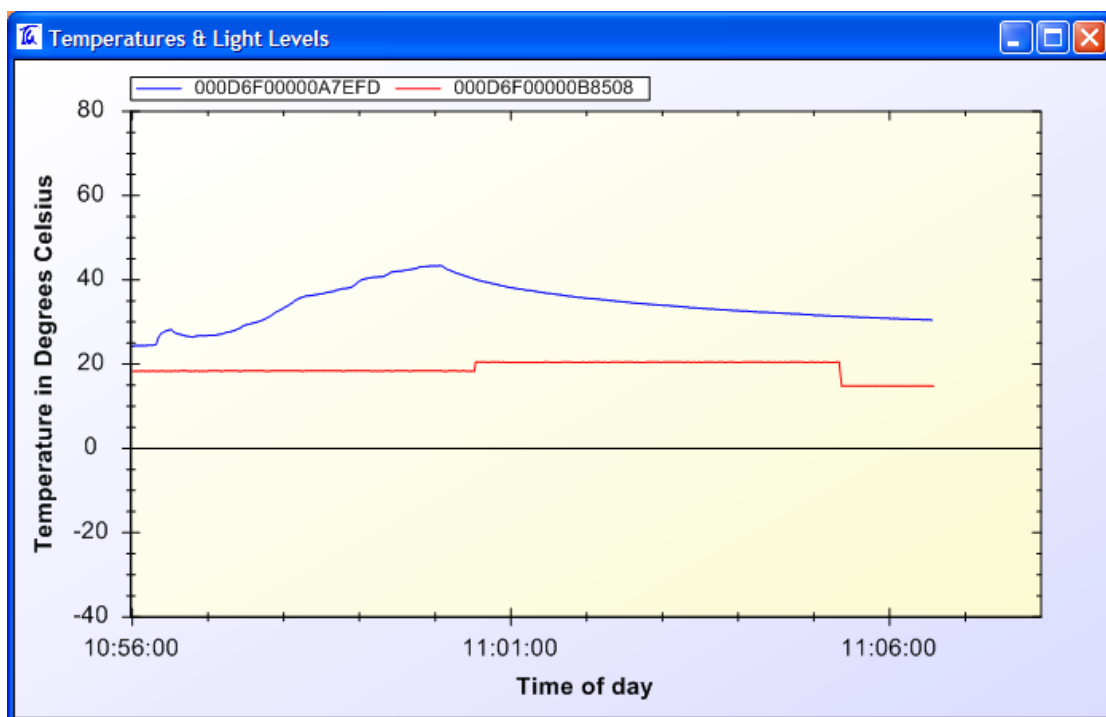


Figure 22. Temperature readings from remote sensors

It is usually easiest to set the sensor device’s registers by accessing them via USB, but you can also use the ATREMS command from the sink node.

Telegesis Terminal was written for the ETRX2; the ETRX357’s ADCs are ten times more sensitive so its temperature readings will appear strange.

12 Firmware upgrades

If required, the firmware of the ETRX35x modules can be upgraded serially as well as over the air. (Note: at the time of writing over-the-air upgrading is not yet available.)

12.1 Firmware Upgrades via Serial Port

In order to upgrade the firmware of the ETRX35x module using the serial bootloader, issue the “**AT+BLOAD**” command either by typing it in, or by pressing the respective button in the “**Module Control**” group of the Telegesis Terminal Application.

Alternatively the button labelled “Blood” can be pressed on the development board whilst the reset button is pressed and released.

After entering the bootloader, the connection parameters need to be changed to 115200bps, 8 data bits, 1 stop bit, no parity, no flow control (providing that it is not already set to these values). This is achieved by pressing the ‘**Disconnect**’ button, changing the settings and then pressing the ‘**Connect**’ button (if only the connection speed needs to be changed disconnecting and reconnecting may not required, depending on your PC’s operating system).

After pressing ‘**Enter**’, the bootloader menu will be shown in the terminal window as shown in Figure 23.

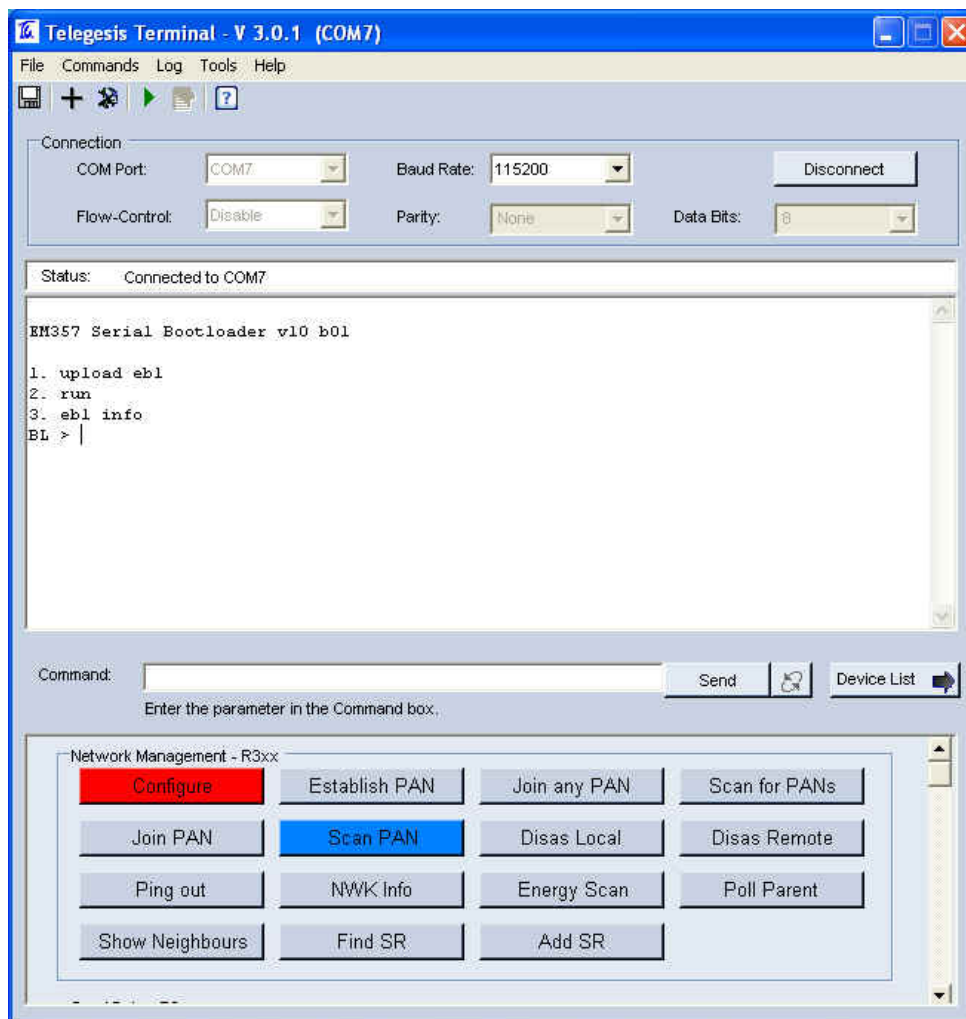


Figure 23. Bootloader Menu

Pressing '1' initiates the upload of the new firmware and a number of 'C' characters will indicate that the ETRX35x is ready to receive data. Within 60 seconds, select **Tools / Transfer File...** and browse for the new firmware file.

Firmware files for the ETRX35x will be in the format ETRX35x_R3xxC.ebl. After checking that the protocol is set to XMODEM (128 Bytes), press the **Send** button and the new firmware will be downloaded as shown in Figure 24.

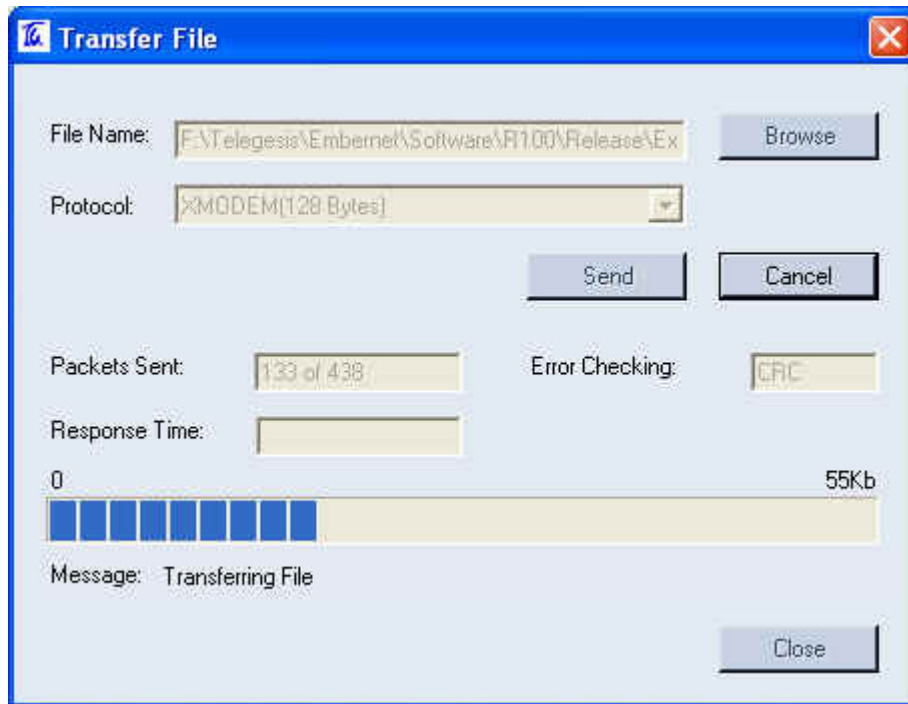


Figure 24. File Transfer Window

When the transfer has been completed successfully, press **Enter** again in order to return to the bootloader menu (shown in figure 10) and option '2' to run the downloaded application software. If the application software has a baudrate other than 115200bps, this will need to be changed to the application baudrate as described above – 19200 baud in the case of R3xx firmware.

12.2 Over the Air Firmware Upgrades

Upgrading over the air is possible by cloning a local node's firmware to a remote node, so if new firmware has to be introduced to the network it can be downloaded serially to a master node, which then can clone itself to one node after the other in turn given the target node is only a single hop away. Cloning between some firmware releases may not always be possible, so check the Firmware Revision History for relevant comments. (Not currently enabled in R302C.)

12.2.1 Cloning

In order to clone the local node's firmware use the command

AT+CLONE:<EUI64 of the target device>:<Target device's password>

This will initiate the cloning process given the target node is only a single hop from the local node. After successful cloning the remote node will perform a reset and the local node will continue normal operation without reset.

12.2.2 Recovering on the default channel

If the target device is reset or power cycled whilst in the bootloader, the unit will listen for new firmware files on channel 13. It is therefore required to set up a node on channel 13 and repeat the recovery action described in the previous section.

To set up a node on channel 13 use the following commands:

AT+DASSL – leave the current network (will show an error if not currently part of a network)

ATS00=0004 – Only allow channel 13

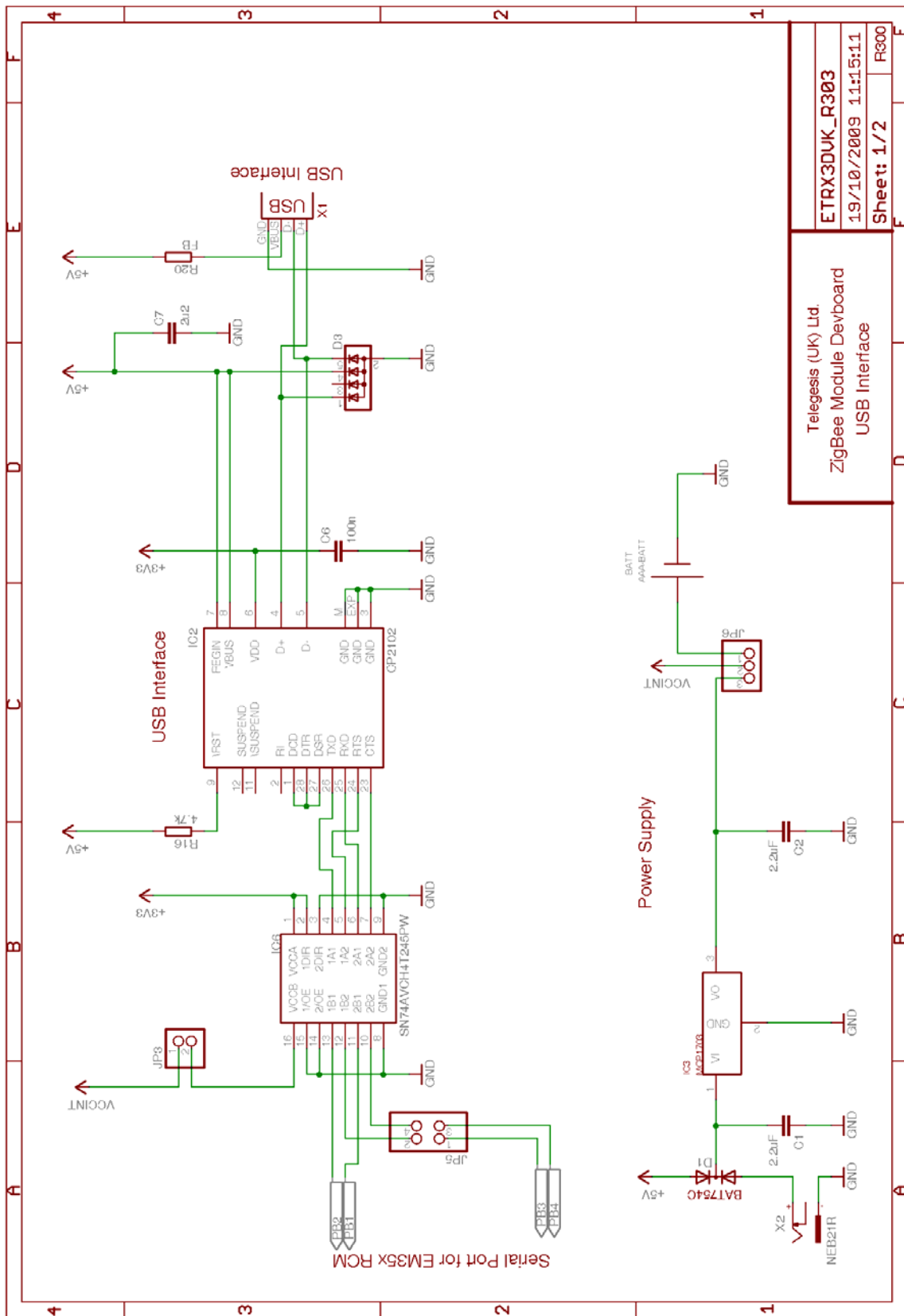
AT+EN – establish new network on channel 13

This will cause the local node to become a coordinator on channel 13.

AT+RECOVER

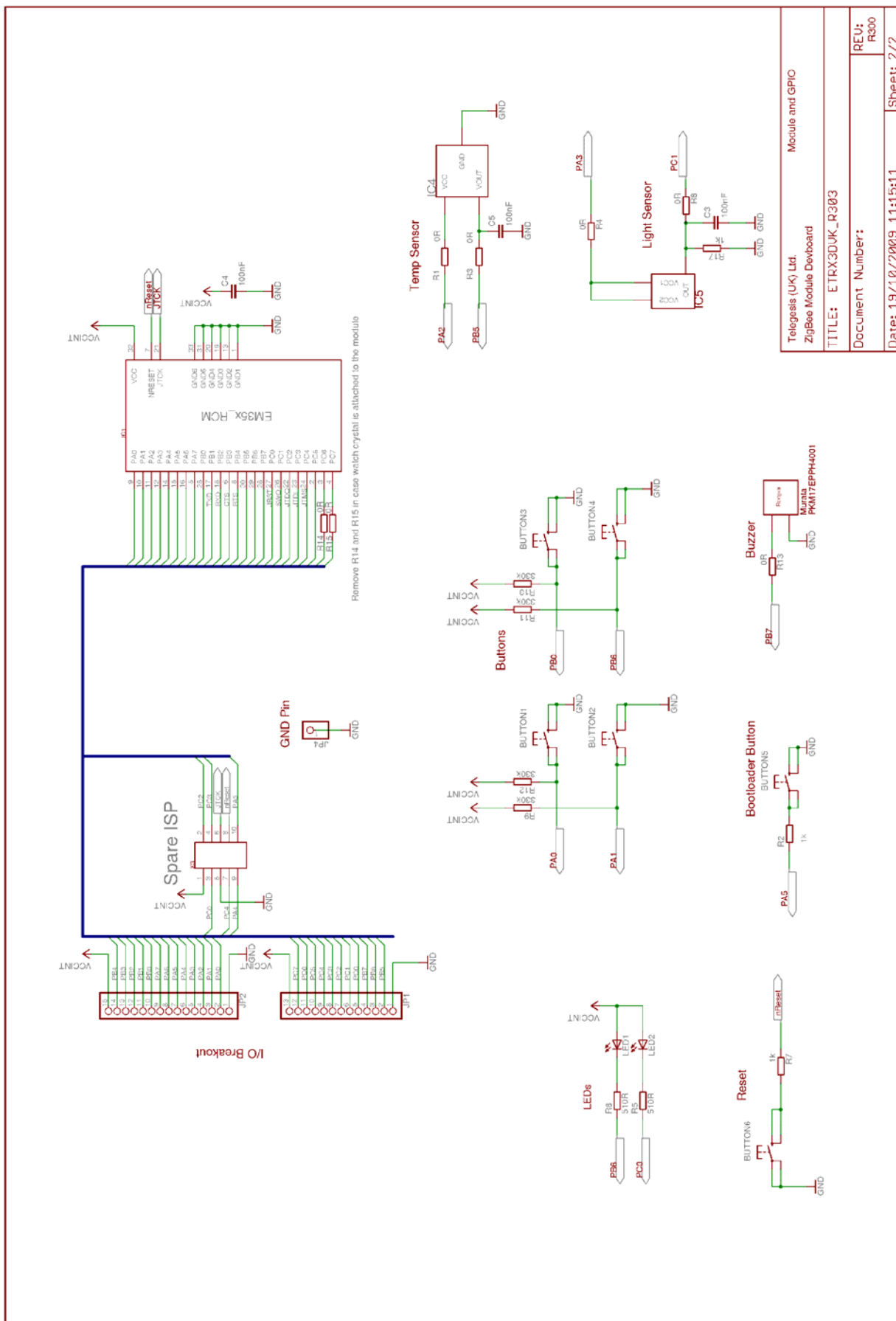
The local node will search for a remote node in bootload mode and clone the local firmware to that remote node.

13 Devboard Schematic



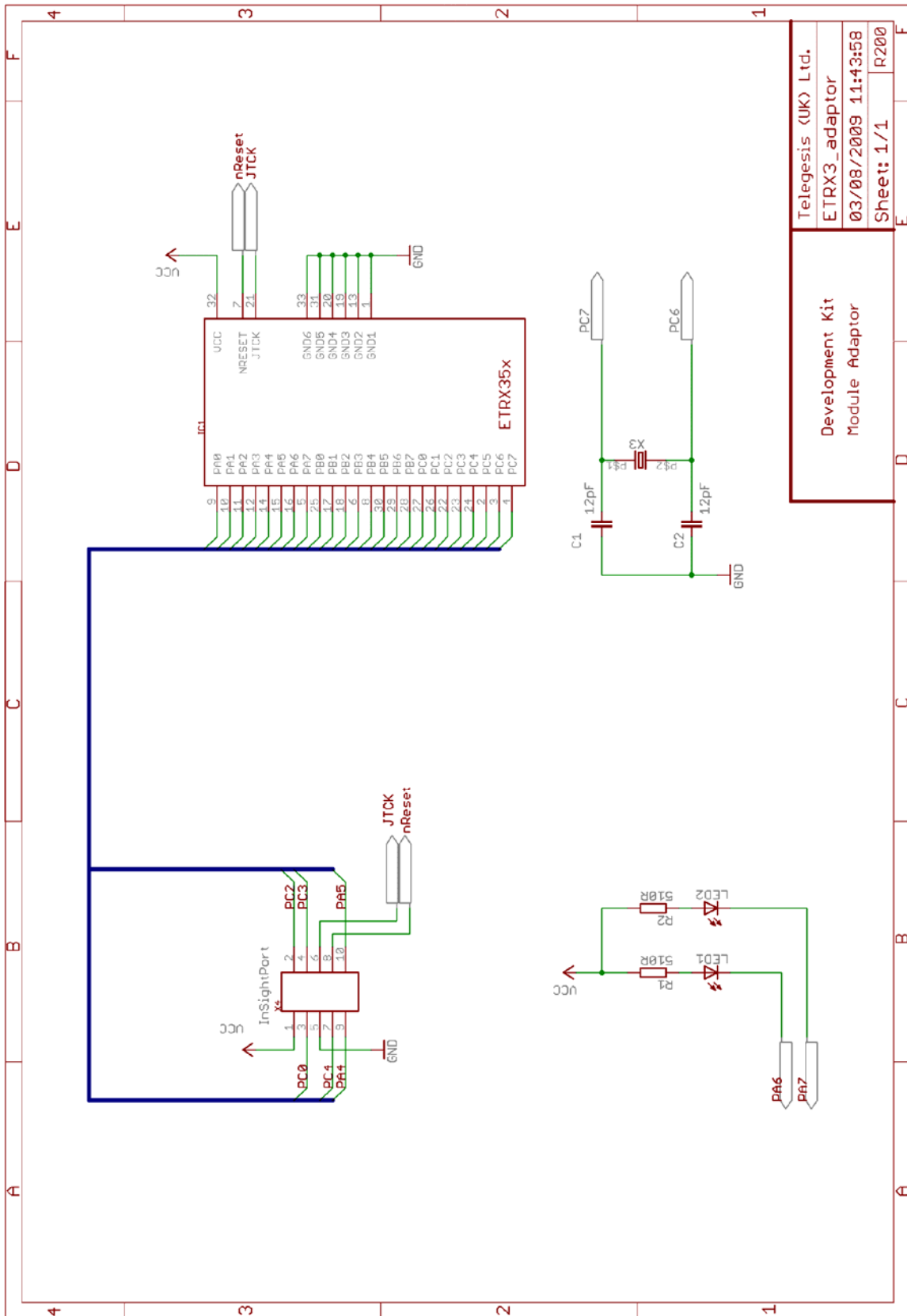
ETRX35DUK_R303
19/10/2009 1.1:15:11
Sheet: 1/2 R300

Telegesis (UK) Ltd.
ZigBee Module Devboard
USB Interface



Telegesis (UK) Ltd. ZigBee Module Devboard		Module and GPIO	
TITLE: ETRX30VK_R303		Document Number:	REU: R300
Date: 19/10/2009 11:15:11		Sheet: 2/2	

14 Carrier Board Schematic



15 ETRX35x Ordering Information

Ordering/Product Code	Description
ETRX35x	Telegesis Wireless Mesh Networking Module with Ember ZigBee® Technology: <ul style="list-style-type: none"> • Telegesis AT Style Command Interpreter based on Ember's EmberZNet stack • Integrated 2.4GHz Antenna
ETRX35xHR	Telegesis Wireless Mesh Networking Module with Ember ZigBee® Technology: <ul style="list-style-type: none"> • Telegesis AT Style Command Interpreter based on Ember's EmberZNet stack • Hirose U.FL Antenna Connector
ETRX35xDVK	Telegesis Development Kit with: <ul style="list-style-type: none"> • 3 x ETRX35xDV Development Boards • 2 x ETRX35x Modules on Carrier Boards • 2 x ETRX35xHR Modules on Carrier Boards • 2 x ETRX35x-LR Modules on Carrier Boards • 2 x ETRX35xHR-LR Modules on Carrier Boards • 1 x ETRX2USB stick • 2 x ½-wave antennae • 2 x ¼-wave antennae • 3 x USB Cables

Notes:

- Customers' PO's must state the Ordering/Product Code.
- There is no "blank" version of the ETRX35x Module available. All Modules carry the Telegesis AT style Command Layer based on the EmberZNet Stack. (Where customers wish to add their own firmware they can re-program the flash memory of the embedded EM35x).
- Please contact Telegesis if you require additional AT style commands or specific integration assistance.

16 Trademarks

All trademarks, registered trademarks and products names are the sole property of their respective owners.

17 Disclaimer

Product and Company names and logos referenced may either be trademarks or registered trademarks of their respective companies. All information is correct at time of issue. We reserve the right to make modifications and/or improvements to documentation or products without prior notification. Telegesis (UK) Ltd does not convey any license under its patent rights or assume any responsibility for the use of the described product.

18 Contact Information

Website: www.telegesis.com

E-mail sales@telegesis.com

Telegesis (UK) Limited
3, Abbey Barn Business Centre
Abbey Barn Lane
High Wycombe
Bucks
HP10 9QQ
UK

Tel: +44 (0)1494 510199

Fax: +44 (0)5603 436999

19 References

Telegesis - www.telegesis.com

Ember - www.ember.com