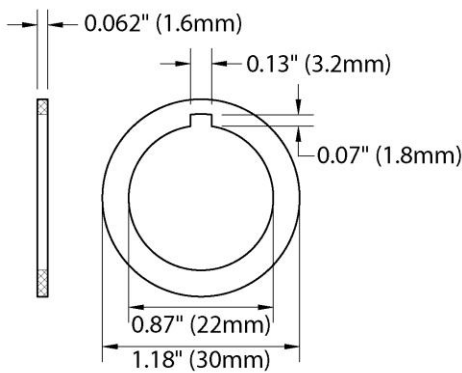
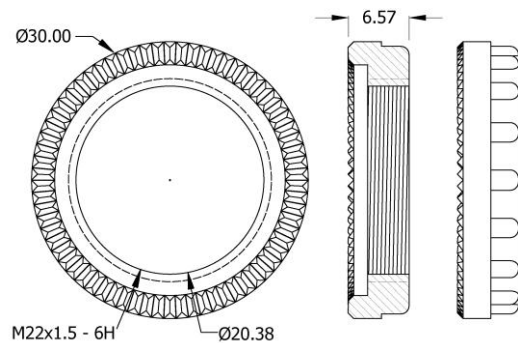


Product APPLICATION Guide

ACCESSORIES- 22mm Panel Alarms

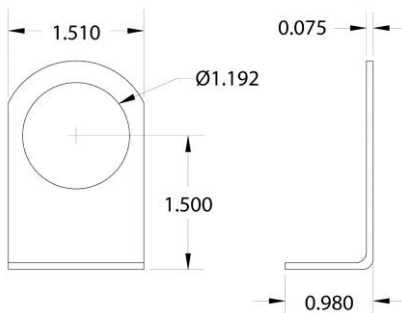


ACC06
NEMA Gasket
3R, 4X, 12; IP-66

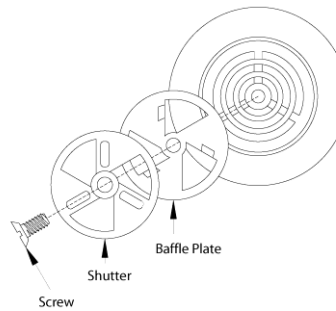


KNT1-01
Replacement Nut
Black Plastic

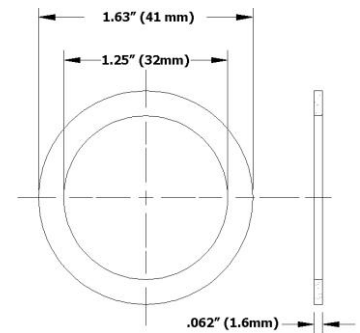
ACCESSORIES- 30mm Panel Alarms SC, SCE, SCH, SCL Series



ACC01
Aluminum Bracket
External Mount



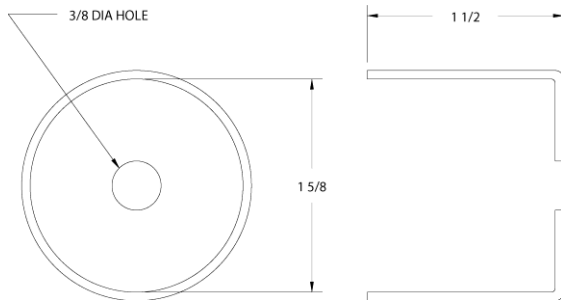
SCVC
Manual Sound Baffle
Mounts on Front Grille



ACC03
NEMA Gasket
3R, 4X, 12; IP-66

ACCESSORIES- 30mm Panel Alarms (Con't)

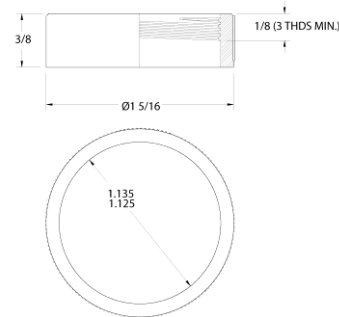
SC, SCE, SCH, SCL Series



RSB1

Electrical Insulating Boot

- Mounts to Back of Alarm
- Use with 48, 120, 250 Vac rated alarms



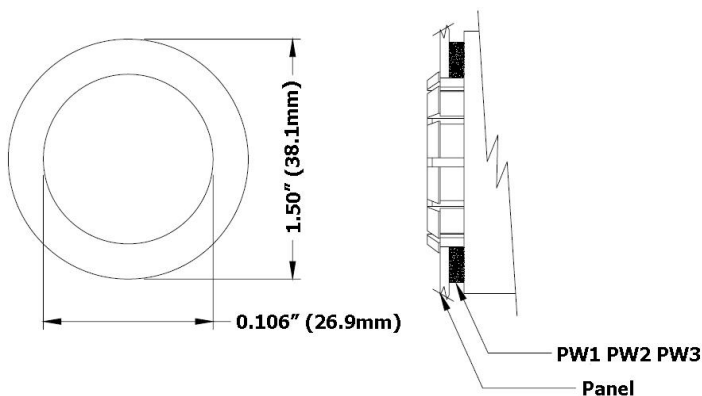
BNR1; CNR1; PNR1

Replacement Knurled Nuts

- BNR1- Black Aluminum
- CNR1- Clear Aluminum
- PNR1- Black Plastic

ACCESSORIES- Snap-In Panel Alarms

SNP2R, SNP428R, SNP428FR



PW1, PW2, PW3

Compression Washers

Part Number	Part Thickness	Panel Thickness
PW1	.063"	11-12GA (.125-.109)
PW2	.125"	13-17GA (.093-.056)
PW3	.187"	18-22GA (.050-.031)

Call 317-612-1000 or Visit www.mallory-sonalert.com for More Details