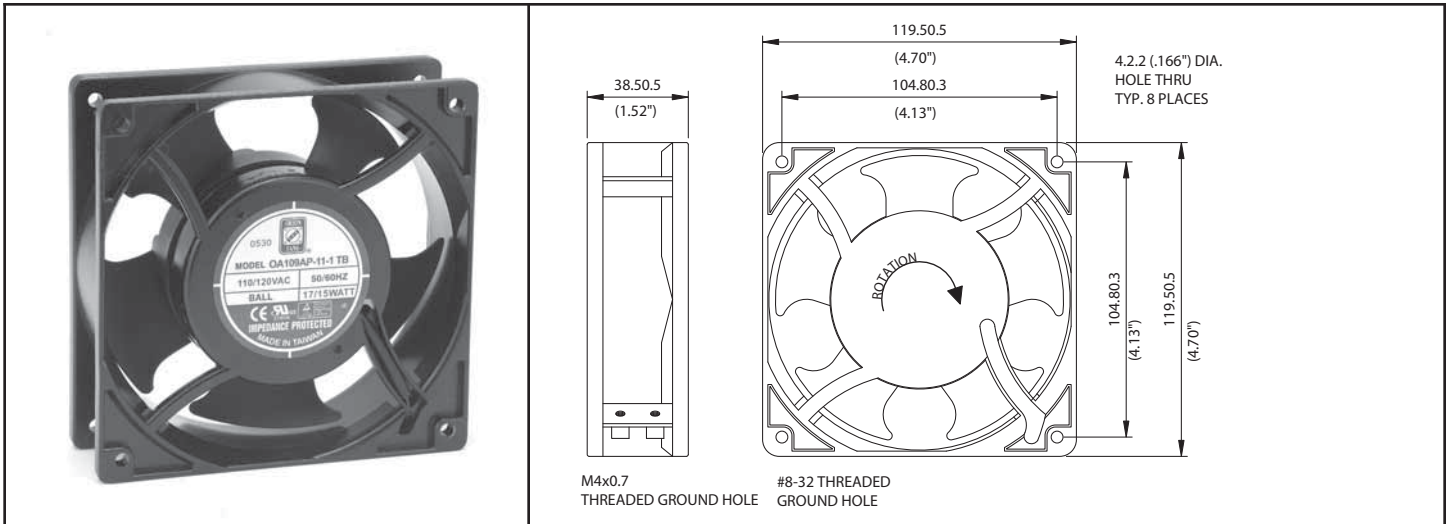


# OA109 Series



AC Fan - 115V, 230V, Dual Voltage  
120x38mm (4.7"x 1.5")



Frame	Diecast Aluminum	<p><u>Operating Temperature</u> Ball Bearing -20C ~ +80C Sleeve Bearing -10C ~ +50C</p> <p><u>Life Expectancy</u> Ball Bearing 60,000 hours (L10 at 40C) Sleeve Bearing 30,000 hours (L10 at 40C)</p> <p><u>Dual Voltage</u> Fans can be configured to run on 115V or 230V. Connection via 4x leads</p>	
Impeller	PBT, UL94V-O plastic		
Connection	2x 300mm Lead wires (22AWG) or terminals		
Motor	AC shaded pole, impedance and thermally protected		
Bearing System	Dual ball or Sleeve		
Insulation Resistance	10M ohm between leadwire and frame (500VDC)		
Dielectric Strength	1 min at 1500 VAC, 50/60Hz		
		m0	

Model Number	Speed (RPM)	Airflow (CFM)	Noise (dB)	Volts AC	Voltage Range	Watts	Max. Static Pressure ("H2O)
OA109AP-11-1*	3000	110	42	115	80~130	15	.28
OA109AP-11-2*	2300	71	35	115	80~130	11	.24
OA109AP-11-3*	1600	51	25	115	80~130	8	.15
OA109AP-22-1*	3000	110	42	230	160~260	15	.28
OA109AP-22-2*	2300	71	35	230	160~260	11	.24
OA109AP-22-3*	1600	51	25	230	160~260	8	.15
OA109AP-11/22-1W**	3000	110	42	115/230	80~260	15	.28
OA109AP-11/22-2W**	2300	71	35	115/230	80~260	11	.24
OA109AP-11/22-3W**	1600	51	25	115/230	80~260	8	.15

\* Indicate "TB" (Terminal Ball Bearing), "WB" (12" Wire Leads, Ball Bearing), "TS" (Terminal, Sleeve Bearing), "WS" (12" Wire Leads, Sleeve Bearing)

\*\* Indicate "B" (Ball Bearing) or "S" (Sleeve Bearing)