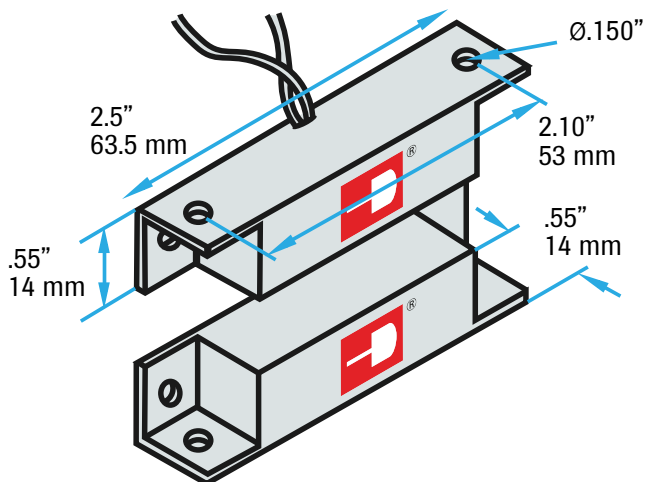


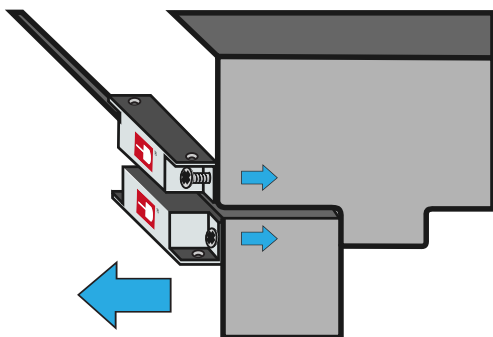
# MAGNASPHERE<sup>®</sup> MSS

## MODEL MSS-63S

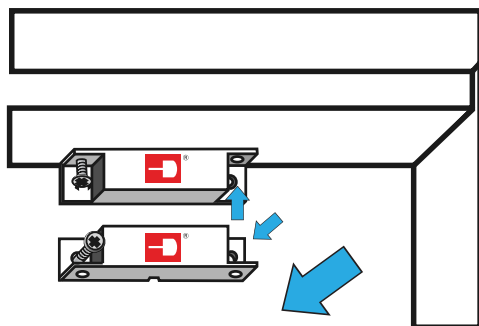
Surface-Mounted Security Sensor



### HORIZONTAL INSTALLATION



### VERTICAL INSTALLATION



## Features

Made with MAGNASPHERE<sup>®</sup> Switch Technology

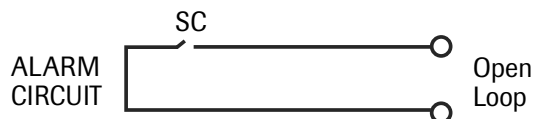
- Won't break
- Resistant to contact welding
- Resistant to outside defeat
- Security industry's BEST warranty
- Universal mounting
- Installs in Fail Safe mode
- Cost competitive
- Increase RMR

## Specifications

- Contact Form: Open Loop
- Max Electrical Rating:
  - 250mA
  - 30 VDC (resistive)
  - 0.25W
- Leads: 22 AWG x 12"
- Use of EOL resistor recommended
- Gap: Up to 0.5"

## Installation Guidelines

- Labels orient the sensor zones  
(Install so that both labels face out)
- Install using #6 screws (MSS-63S)
- Recommended air gap 1/2" or less
- Use of EOL resistor recommended
- Contact shall be installed so door cannot be opened more than 2" without causing an alarm



American-Made MAGNASPHERE Technology. Assembled in China.

MAGNASPHERE CORP. | 23777 Stone Ridge Dr., Suite 160, Waukesha, WI 53188  
tel. 262.347.0711 | fax 262.347.0710 | www.MAGNASPHERE.com