

Important safety information:

Disconnect power before installing light(s) and always ensure power is off before making any changes to installation.

Wear rubber soled shoes.

To avoid a hazard to children, account for all parts and destroy all packing materials.

If you are unsure about the installation or use of the Califia Lighting power supply, consult a qualified electrician.

Power supply must be installed according to the National Electrical Code and local building codes.

Operation:

Do not install any fixture closer than 6" from any curtain or similar combustible material.

Intended to be connected only to 24VDC output of a class 2 power supply. Do not exceed nominal supply voltage.

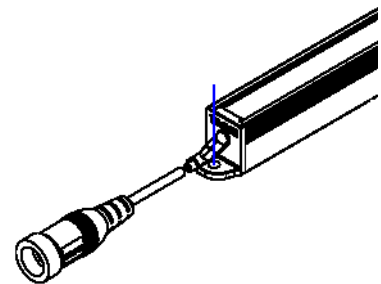
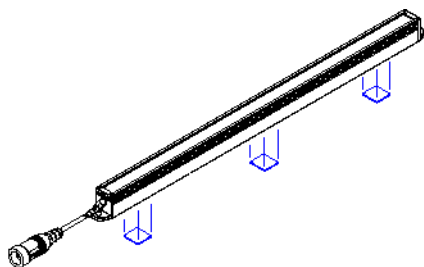
CAUTION: To reduce risk of fire and electrical shock, use only fixtures and fittings intended for use with this Califia Lighting track system.

CAUTION: Do not exceed 24VDC and 25A capacity of surface track (600 Watts at 24 volts).

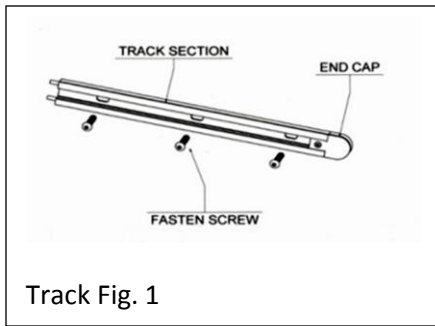
Standard Individual Light:

Option A – Screw Mount: Hold the luminaire up to the desired mounting location. Using a level to ensure the fixture is mounted straight, locate the mounting holes and endcap, tighten the screws provided into both ends of the luminaire.

Option B – Double Sided Tape Mount: Hold the luminaire up to the desired mounting location. Using a level to ensure the fixture is mounted straight, place a piece of double sided tape on both ends and in the center of the fixture and affix to the desired location.



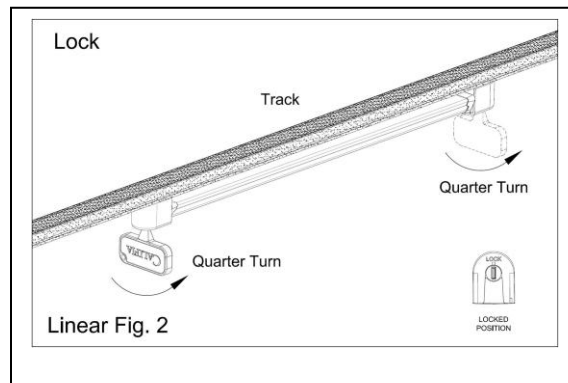
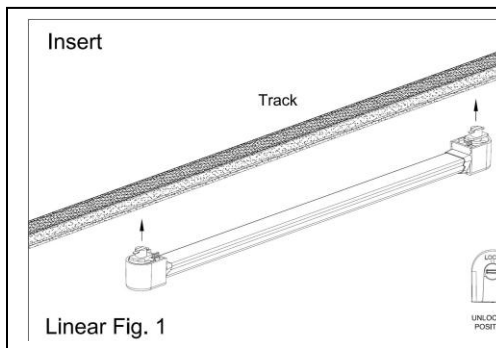
Mounting Califia Lighting Track:



Place the track against your desired mounting location. Tighten fastening screws securely through all mounting holes of track section.

Attaching Linear Luminaires to Track:

Utilizing the included flat head screw driver (shown in Linear Fig. 2), ensure the slots are perpendicular to the line of the luminaire. Place the luminaire into the track (Linear Fig. 1). Utilizing the screw driver, tighten the luminaire into place by turning the slot clockwise into a “Locked” position, resulting in the slot aligning with the entire fixture (Linear Fig. 2).



Attaching Spot Luminaires to Track:

Hold fixture as illustrated (Spot Fig. 1) and insert into track. Hold outside collar down, while turning the fixture 90 degrees to engage in track, release the outside collar (Spot Fig. 2).

