



Heliolug

Amphenol Industrial Solar Technologies (AIST) offers products and solutions for all segments of the solar electric system. AIST understands the need for efficient (low loss) power transfer, highly reliable, and cost effective solutions that are required to be competitive in this industry. We can provide panel manufacturers, installers, and OEM's with connectivity products for both thin film and crystalline silicon technologies.

Amphenol® has a broad range of technologies to help minimize the cost of inverters and power conditioners. Amphenol® Industrial Solar Technologies can help you power the planet with the sun.

The Heliolug is a grounding component for solar modules and solar racking systems allowing easy termination to the ground wire.

The Heliolug has a versatile enough design it can be used for commercial or utility scale installations as well as residential installations. It is UL 2703 certified for use with a ground wire, eliminating potential code compliance surprises. The Heliolug comes with all the certified custom hardware needed for making rapid, secure connections to PV modules and racks.

The Heliolug is just one of the solar solutions Amphenol® Industrial Solar Technologies has to offer.

Features:

- UL 2703 certified grounding lug
- Meets all NEC 2008/2011 requirements
- Quick and easy installation
- For use with virtually all module frames and racks, (0.09 inches (2 mm) to 0.25' (6.35 mm) thick)
- Capable of accepting 4-12 AWG solid copper conductors
- Code compliant "first make - last break" grounding system
- Compatible with all module grounding holes, (0.16" (4mm) to 0.295" (7.5mm))
- Certified reusable hardware for servicing without replacement



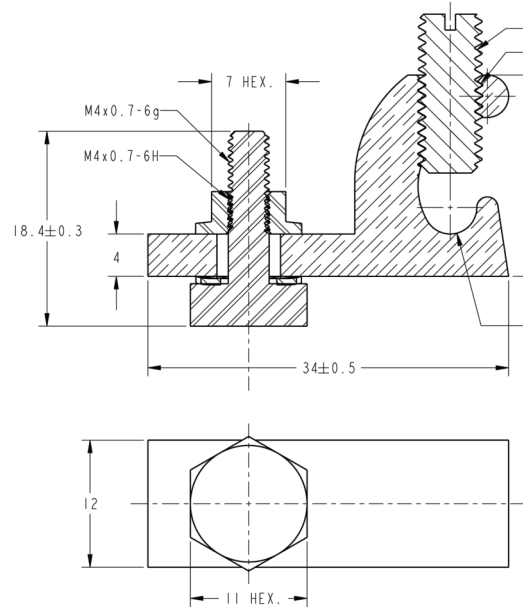
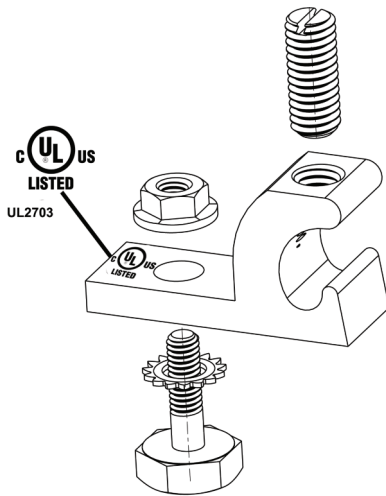
HelioLug

UL 2703 E338690

QIMS7 (Canada) E338690

Included Components:

- 1) Lay in lug (tin-plated, solid copper lay-in lug with a stainless-steel set screw)
- 2) Stainless star washer
- 3) Stainless steel bolt
- 4) Stainless serrated lock nut



How to order

1		2		3		4	
HG		L		U		I	
Product Line		Product Type		Approvals		Packaging	
HG	Helios Grounding Products	L	HelioLug (Wire Range 4-12 AWG)	U	UL	I	Individual
						M	1000 pcs

INSTALLATION INSTRUCTIONS:

- Place the lug to the designated module grounding hole with the star washer between the grounding lug and the module frame in order to break through the anodizing and establish electrical contact with the aluminum. Torque the bolt and nut to 30 in-lbs. **NOTE:** These instructions provide guidelines for general use. If available, the specific module manufacturer's instructions for the location of the star washer are to be followed.
- For the attachment to the racking, slide the bolt into the mounting channel of the extrusion or into a 1/4" hole drilled through the extrusion. Place the star washer between the racking and lug and secure the nut and bolt to 30 in-lbs. **NOTE:**
- Insert a 4 to 12 AWG copper wire into the lug and tighten the lug set screw to the copper wire to the torque based on the wire size. (4-6 AWG at 35 in-lbs and 8-12 AWG at 30 in-lbs). Do not exceed the maximum rated overcurrent protection, 20 A (12 AWG), 40 A (10 AWG), 90 A (8 AWG), 150 A (6 AWG), and 200 A (4 AWG).

Notice: Specifications are subject to change without notice. Contact your nearest Amphenol Corporation Sales Office for the latest specifications. All statements, information and data given herein are believed to be accurate and reliable but are presented without guarantee, warranty, or responsibility of any kind, expressed or implied. Statements of suggestions concerning possible use of our products are made without representation or warranty that any such use is free of patent infringement and are not recommendations to infringe any patent. The user should assume that all safety measures are indicated or that other measures may not be required. Specifications are typical and may not apply to all connectors.

For further information on your individual application requirements, contact: Amphenol Corporation

North America:
Amphenol Industrial Operations
180 N. Freeport Drive, Plant 4
Nogales, AZ 85621
Tel: (520) 285-5130
Fax: (520) 285-5134

Email: rpedrazzini@amphenol-aio.com

Europe:
Amphenol Industrial Operations Europe
Via Barbaiana 5
1-20020 Lainate (MI) Italy
Tel: +39 02 93254.204
Fax: +39 02 93254.444

Email: info@amphenol-aio.com

Middle East:
Amphenol Middle East Enterprises FZE
Postal: PO Box 21107, Aiman Free Zone - UAE
Physical: Warehouse #C1-16, Aiman Free Zone - UAE
Phone: +9 716-7422494
Fax: +9 716-7422941

Asia:
Amphenol Technology Shenzhen Ltd
Block 5 Fuan 2nd Industrial Park
Dayang Rd, Fuyong Baoan
Baoan, Shenzhen, China 518103
Tel: +86 755 2881 8389
Fax: +86 755 2991 8310
Email: enquiry@amphenol-aio.com