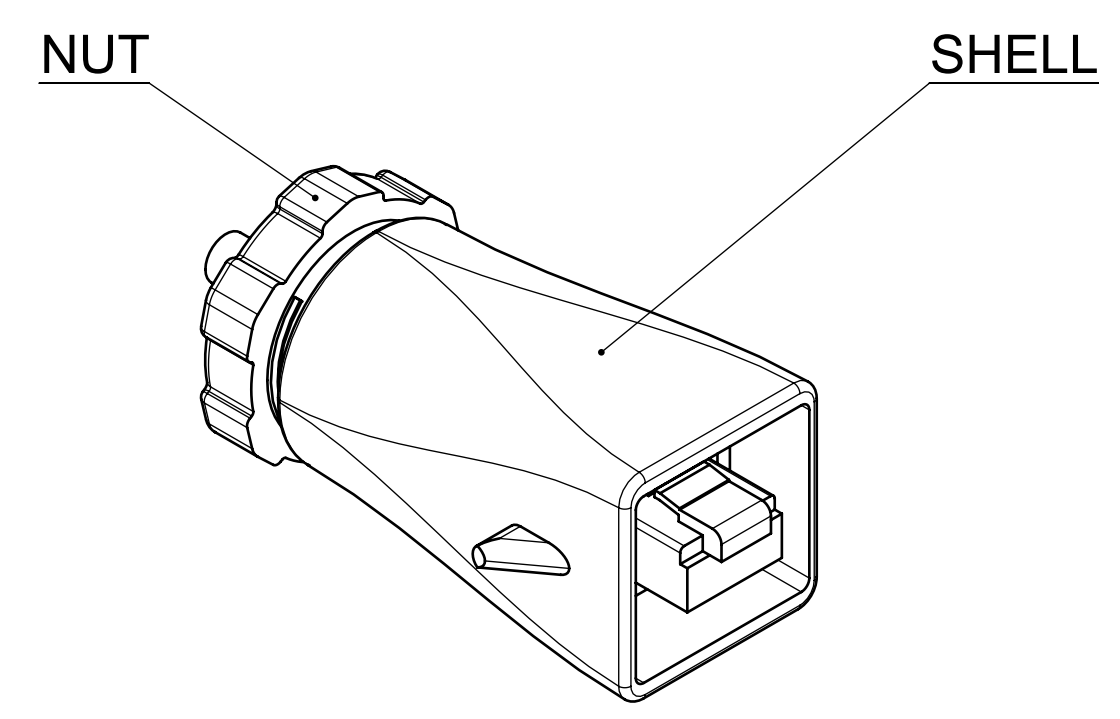
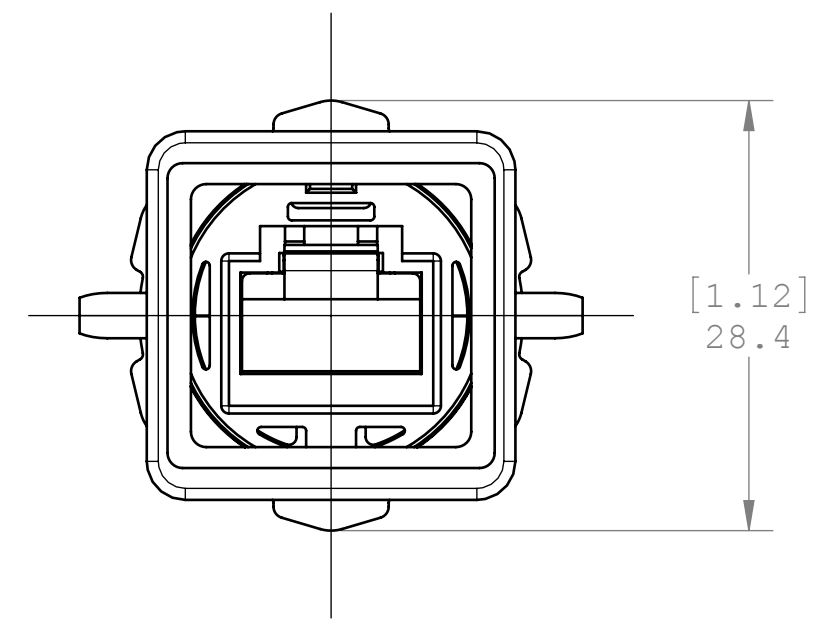
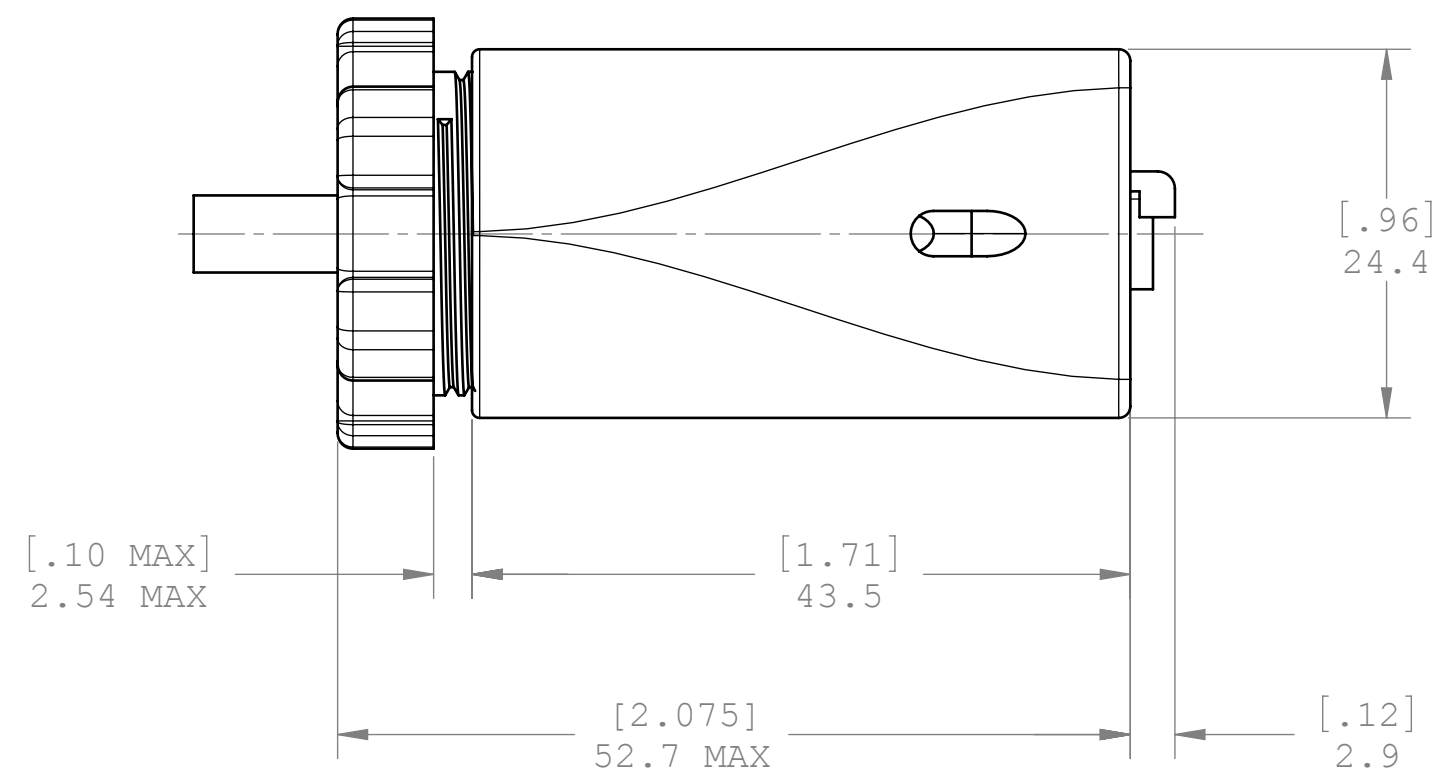
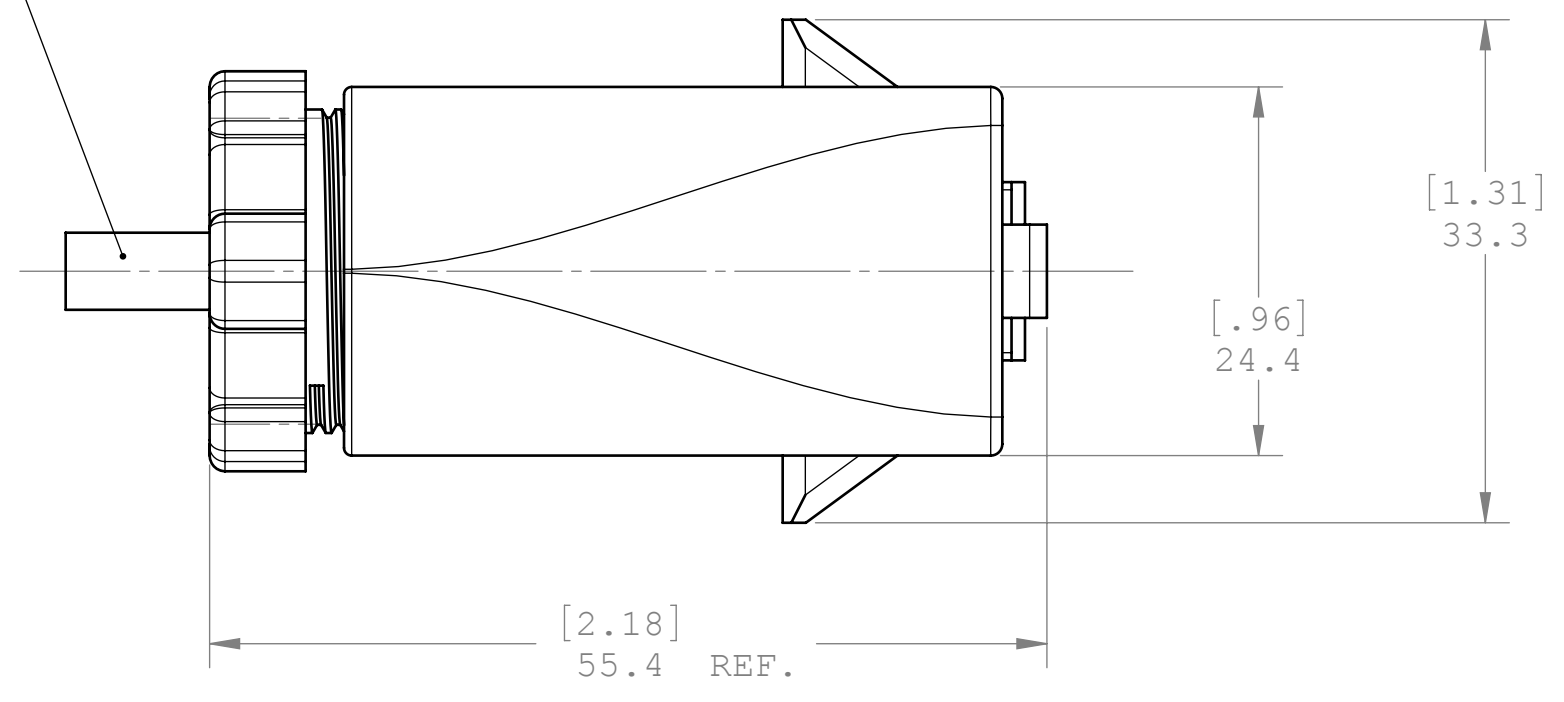


RJ CONNECTOR AND CABLE ARE NOT SUPPLIED



NOTES:

1. MATERIAL:
 - SHELL: ZINC ALLOY DIE CAST, 3 MICRONS [120 MICRO"] MIN NICKEL OVERALL.
 - NUT: ZINC ALLOY DIE CAST, 3 MICRONS [120 MICRO"] MIN NICKEL OVERALL.
 - GASKETS: SILICONE RUBBER.
2. OPERATING TEMPERATURE: -40°C TO +85°C.
3. ENVIROMENT PERFORMANCE: IP67 IN MATED CONDITIONS.
4. CONNECTOR IS ROHS COMPLIANT PER EU DIRECTIVE 2002/95/EC AND AMENDMENTS.
5. PART NUMBER FOR ORDER IS ID550-000.



UNLESS OTHERWISE SPECIFIED DIMENSIONS ARE IN MILLIMETER TOLERANCES ARE:		APPROVALS	DATE	Amphenol Canada Corp.	
DECIMALS	ANGLES	DRAWN	FEB16/07		
.XX ± .10	± 1°	S.SEMENOV		TITLE	
.X ± .25		DESIGNED	FEB16/07		
MATERIAL AND FINISH		CHECKED		RJ PLUG	
		QA APP'D			
REF.		IE APP'D		SIZE	DWG. NO.
CODE IDENT. NO.		DWG APP'D	FEB16/07	C	P-ID550-000
		A.GREEN		SCALE	PROJECT
				2:1	ID
					REV.
					1B
					SHEET
					1 OF 1