

DC Current Transducer

DIN RAIL / PANEL MOUNT, RMS



Single Element - .79" Window
2 to 300 ADC Input Range



Single Element - 1.2" Window
20 to 300 ADC Input Range

The **CR5200** Series, DC Current Transducers are designed to provide a DC signal which is proportional to a DC sensed current. These devices are designed for direct current only, targeting them towards general and daily applications. The ranges 2 to 10 Amp utilize an advanced Magnetic Modulator technology and the ranges 20 amps and above utilize Hall Effect technology.

Applications

Battery chargers and systems
DC motor drives
Power supply management
Mobile applications

Features

Closed loop sensing for accuracy
35mm DIN rail or panel mount
Available with ± 5 VDC, ± 10 VDC or 4 - 20 mADC outputs
Non-contact DC current sensing
Connection diagram printed on case

Regulatory Agencies

Constructed to meet UL 61010B-1
Constructed to meet CAN/CSA-C22.2, No. 61010-1-2004
Meets requirement of IEC 61010-1 and BS EN 61010-1



Contact Factory for Custom ± 5 VDC, ± 10 VDC
or 4 - 20 mADC Output Options

All single phase current transducers are available in split
core design. Simply put an "S" at the end of the prefix*
I.E. CR5210S-30

PART NUMBERS			
CR5210(S)	-		Single Element with 5 VDC output (split core design)
CR5211(S)	-		Single Element with 10 VDC output (split core design)
CR5220(S)	-		Single Element with 4 - 20 mADC output (split core design)
NOTE: DC Split Core Transducers Available in 20 Amps and Higher			
NOTE: CR5200 Series is available with 12V Power Supply. Use same application as 24V Power Supply.			
Example Part Number: CR5210-300-12V			

Add suffix for input range
2 - 0-2 ADC
5 - 0-5 ADC
10 - 0-10 ADC
20 - 0-20 ADC
30 - 0-30 ADC
50 - 0-50 ADC
75 - 0-75 ADC
100 - 0-100 ADC
150 - 0-150 ADC
300 - 0-300 ADC
 Ranges available up to and including 600 ADC



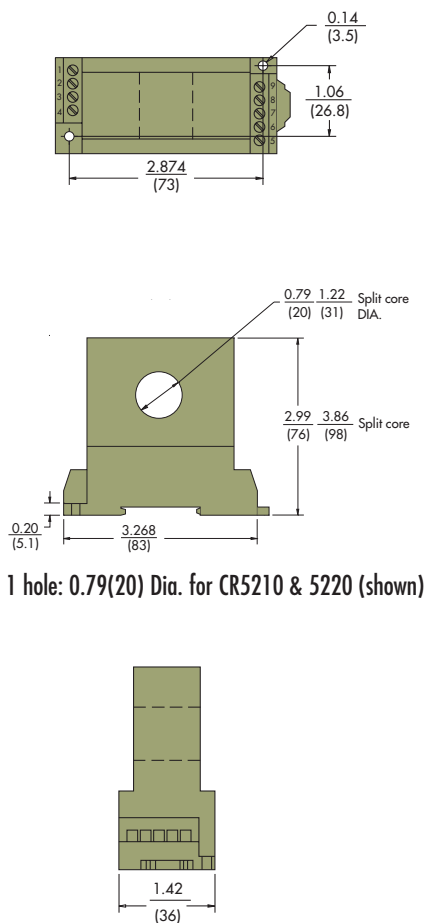
CR Magnetics, Inc. 3500 Scarlet Oak Blvd. St. Louis MO USA 63122 V: 636-343-8518 F: 636-343-5119

Web: <http://www.crmagnetics.com>

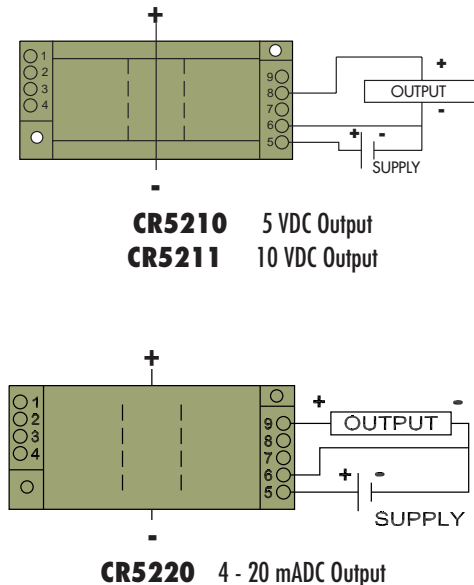
E-mail: sales@crmagnetics.com

SPECIFICATIONS

Basic Accuracy:.....	1.0 %	Output Load:.....	± 5 or ± 10 VDC.....	2 K Ω or greater
Thermal Drift:.....	500 PPM/ $^{\circ}$ C		4-20 mADC.....	0 - 300 Ω
Operating Temperature:.....	0 $^{\circ}$ C to +50 $^{\circ}$ C	Supply Current:		
Response Time:	250 ms. max.,0-90% FS	CR5210:.....	Typical 35mA	Max 40mA
Insulation Voltage:.....	2500 VDC	CR5210S:.....	Typical 30mA	Max 35mA
Supply Voltage:.....	24 VDC $\pm 10\%$	CR5220:.....	Typical 60mA	Max 100mA
Frequency Range:.....	DC only	CR5220S:.....	Typical 40mA	Max 50mA
MTBF:.....	Greater than 100 K hours	Torque Specs:.....	3.0 inch lbs. (0.4Nm)	
		Weight:.....	0.5 lbs.	



OUTLINE DRAWING



CONNECTION DIAGRAM

NOTE: The building installation must have a switch or circuit-breaker that is in close proximity and within easy reach of the operator. The switch or circuit breaker shall be marked as the disconnecting device for the equipment.

C
Transducers

