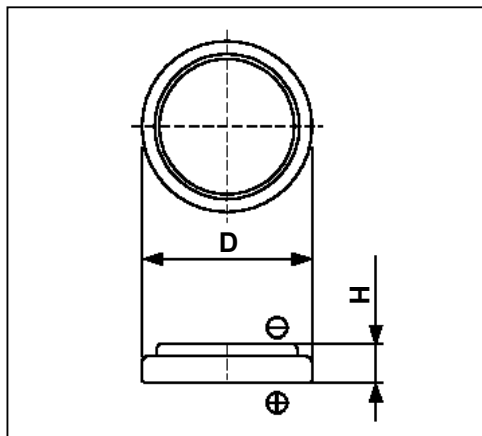


Cell Type CR2025v Specifications

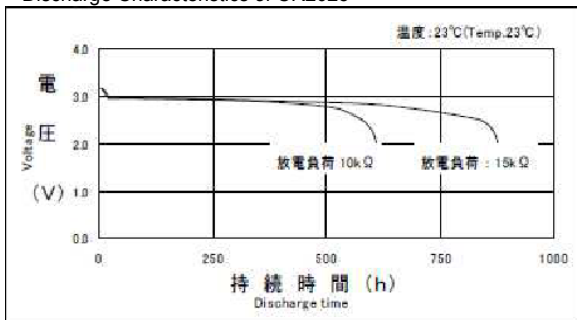


Nominal Voltage (V)	3	
Nominal Capacity (mAh) ^{*1}	160	
Standard Discharge Current (mA)	0.2	
Operating Temperature Range (°C)	-20 ~ +70	
Max. Dimensions (mm)	Diameter (D)	20.0
	Height (H)	2.5
Weight (g)	2.6	

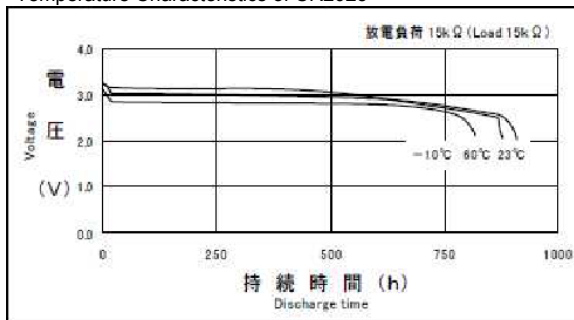
*1 Nominal capacity is determined at an end voltage of 2.0V when the battery is allowed to discharge at a standard current level at +23°C.

Typical Characteristics

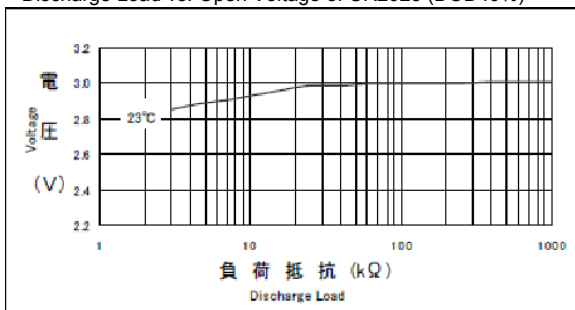
Discharge Characteristics of CR2025



Temperature Characteristics of CR2025



Discharge Load vs. Open Voltage of CR2025 (DOD40%)



Discharge Load vs. Cell Capacity of CR2025

