



**ACDC-100 TRMS
ACDC-100**

**Versatile AC/DC Clamp-on
Multimeter Series**

Users Manual

- Mode d'emploi
- Bedienungshandbuch
- Manuale d'Uso
- Manual de uso
- Användarhandbok



ACDC-100 TRMS ACDC-100

Versatile AC/DC Clamp-on
Multimeter Series

Users Manual

ACDC100_Rev002
© 2010 Amprobe Test Tools.
All rights reserved.

Limited Warranty and Limitation of Liability

Your Amprobe product will be free from defects in material and workmanship for 1 year from the date of purchase. This warranty does not cover fuses, disposable batteries or damage from accident, neglect, misuse, alteration, contamination, or abnormal conditions of operation or handling. Resellers are not authorized to extend any other warranty on Amprobe's behalf. To obtain service during the warranty period, return the product with proof of purchase to an authorized Amprobe Test Tools Service Center or to an Amprobe dealer or distributor. See Repair Section for details. THIS WARRANTY IS YOUR ONLY REMEDY. ALL OTHER WARRANTIES - WHETHER EXPRESS, IMPLIED OR STATUTORY - INCLUDING IMPLIED WARRANTIES OF FITNESS FOR A PARTICULAR PURPOSE OR MERCHANTABILITY, ARE HEREBY DISCLAIMED. MANUFACTURER SHALL NOT BE LIABLE FOR ANY SPECIAL, INDIRECT, INCIDENTAL OR CONSEQUENTIAL DAMAGES OR LOSSES, ARISING FROM ANY CAUSE OR THEORY. Since some states or countries do not allow the exclusion or limitation of an implied warranty or of incidental or consequential damages, this limitation of liability may not apply to you.

Repair

All test tools returned for warranty or non-warranty repair or for calibration should be accompanied by the following: your name, company's name, address, telephone number, and proof of purchase. Additionally, please include a brief description of the problem or the service requested and include the test leads with the meter. Non-warranty repair or replacement charges should be remitted in the form of a check, a money order, credit card with expiration date, or a purchase order made payable to Amprobe® Test Tools.

In-Warranty Repairs and Replacement – All Countries

Please read the warranty statement and check your battery before requesting repair. During the warranty period any defective test tool can be returned to your Amprobe® Test Tools distributor for an exchange for the same or like product. Please check the "Where to Buy" section on www.amprobe.com for a list of distributors near you. Additionally, in the United States and Canada In-Warranty repair and replacement units can also be sent to a Amprobe® Test Tools Service Center (see address below).

Non-Warranty Repairs and Replacement – US and Canada

Non-warranty repairs in the United States and Canada should be sent to a Amprobe® Test Tools Service Center. Call Amprobe® Test Tools or inquire at your point of purchase for current repair and replacement rates.

In USA

Amprobe Test Tools
Everett, WA 98203
Tel: 877-AMPROBE (267-7623)

In Canada

Amprobe Test Tools
Mississauga, ON L4Z 1X9
Tel: 905-890-7600

Non-Warranty Repairs and Replacement – Europe

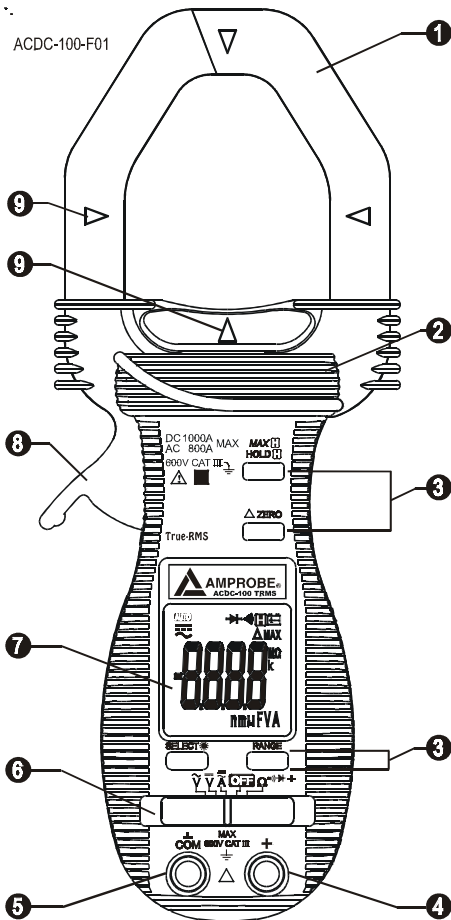
European non-warranty units can be replaced by your Amprobe® Test Tools distributor for a nominal charge. Please check the "Where to Buy" section on www.amprobe.com for a list of distributors near you.

European Correspondence Address*

Amprobe® Test Tools Europe
In den Engematten 14
79286 Glottertal, Germany
Tel.: +49 (0) 7684 8009 - 0

*(Correspondence only – no repair or replacement available from this address. European customers please contact your distributor.)

ACDC-100-F01



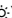


- 1 Hall-effect Clamp Jaw for AC & DC current electric field pick up
- 2 Hand/Finger Barrier to indicate the limits of safe access of the meter during measurement
- 3 Push-buttons for special functions & features
- 4 Input Jack for all functions EXCEPT non-invasive ACA & DCA current functions
- 5 Common (Ground reference) Input Jack for all functions EXCEPT non-invasive ACA & DCA current functions
- 6 Slide-switch Selector to turn the power ON/OFF and Select a function
- 7 3-3/4 digits 4000 counts LCD display
- 8 Jaw trigger for opening the clamp jaw
- 9 Jaw center Indicators, at where best ACA & DCA accuracy is specified

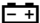






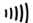





ACDC-100 TRMS / ACDC-100

Versatile AC/DC Clamp-on Multimeter Series

CONTENTS

Symbols.....	5
Safety Information.....	5
Unpacking and Contents.....	6
Introduction.....	6
Features	6
Alignment marks	6
MAX  / HOLD 	6
HOLD	7
MAX	7
△ Relative Zero mode	7
SELECT / Backlight ()	7
Manual or Auto-ranging	7
Auto Power Off function	7
Operation	7
DC Voltage	7
AC Voltage	7
AC Current	8
DC Current	8
Resistance	8
Continuity	8
Diodes	8
Capacitance	9
Maintenance and Repair	9
Battery Replacement	9
Specifications.....	10
General Specifications	10
Electrical	11

SYMBOLS

	Battery		Refer to the manual
	Double insulated		Dangerous Voltage
	Direct Current		Earth Ground
	Alternating Current		Audible tone
	Conforms to relevant Australian standards.		Complies with EU directives
	Do not dispose of this product as unsorted municipal waste.		Underwriters Laboratories. [Note: Canadian and US.]
	Application around and removal from hazardous live conductors is permitted		

SAFETY INFORMATION

- The ACDC-100 Series Digital Clampmeters conform to EN61010-1:2001; EN61010-2-032:2002; CAT III 600 V, class 2 and pollution deg.2
- This instrument is EN61010-1 certified for Installation Category III (600V). It is recommended for use in distribution level and fixed installations, as well as lesser installations, and not for primary supply lines, overhead lines and cable systems.
- Do not exceed the maximum overload limits per function (see specifications) nor the limits marked on the instrument itself. Never apply more than 600 Vdc/600 V ac rms between the test lead and earth ground.

Warnings and Precautions

- Before and after hazardous voltage measurements, test the voltage function on a known source such as line voltage to determine proper meter functioning.
- Disconnect the test leads from the test points before changing meter functions.
- Inspect the Clampmeter, test leads and accessories before every use. Do not use any damaged part.
- Never ground yourself when taking measurements. Do not touch exposed circuit elements or test probe tips.
- Do not operate the instrument in an explosive atmosphere.
- To reduce the risk of fire or electric shock, do not expose this product to rain or moisture.
- The meter is intended only for indoor use. To avoid electrical shock hazard, observe the proper safety precautions when working with voltages above 60 VDC or 30 VAC rms. These voltage levels pose a potential shock hazard to the user.

- Before and after hazardous voltage measurements, test the voltage function on a known source such as line voltage to determine proper meter functioning.
- Keep your hands/fingers behind the hand/finger barriers (of the meter and the test leads) that indicate the limits of safe access of the hand-held part during measurement.
- Inspect test leads, connectors, and probes for damaged insulation or exposed metal before using the instrument. If any defects are found, replace them immediately.
- This Clamp-on meter is designed to apply around or remove from uninsulated hazardous live conductors. Individual protective equipment must be used if hazardous live parts of the installation could be accessible.
- Exercise extreme caution when: measuring voltage >20 V // current >10 mA // AC power line with inductive loads // AC power line during electrical storms // current, when the fuse blows in a circuit with open circuit voltage >1000 V // servicing CRT equipment.
- Remove test leads before opening the case to change the battery.
- Disconnect circuit power and discharge all high-voltage capacitors before testing resistance, continuity, diodes, or capacitance.
- To avoid false readings, which could lead to possible electric shock or personal injury, replace the batteries as soon as the low battery indicator (🔋) appears.

UNPACKING AND CONTENTS

Your shipping carton should include

- 1 ACDC-100 or ACDC-100 TRMS
- 1 Test lead set
- 2 1.5V AAA Battery (Installed)
- 1 Users Manual
- 1 Carrying Case

If any of the items are damaged or missing, immediately return the complete package to the place of purchase for an exchange.

INTRODUCTION


The ACDC-100 and ACDC-100 TRMS Clamp-On meters are 1000 Amp / 600 V clamp meters with 50 mm jaw opening for industrial applications. The features include large conductor size and in-rush current measurement along with AC / DC voltage, AC / DC current, Resistance, Continuity and Diode Tests.

FEATURES

Alignment marks (see Fig. 1)

Place conductor within the jaws at the intersection of the indicated marks as close as possible to maximize the accuracy of the reading.

MAX / HOLD

The HOLD feature freezes the display when the  button is pressed. The MAX feature compares and displays the measured maximum value as fast as 30ms with auto-ranging capability.

HOLD

Press the **HOLD** button momentarily toggles to hold mode for all of the functions. To release the **HOLD** feature momentarily press the **HOLD** button.

MAX

Press the **HOLD** button for 1 second or more activates the **MAX HOLD** feature for the VDC, VAC and ACA functions. To release the **MAX HOLD** feature press the **HOLD** button for 1 second or more.

△ Relative Zero mode

Relative Zero mode allows the user to offset the subsequent meter measurements with the displayed reading as the reference value. The display will now show readings relative to the stored reference value. That is, display = reading - stored value. Pressing the button momentarily toggles to relative mode.

SELECT / Backlight (☀)

Press Backlight button more than 1 second, enable/disable Backlight.

Press the SELECT / Backlight button to step through the manually selected A_{\sim} and Ω functions.

A_{\sim} → A_{\sim} and Ω → Ω → \rightarrow → \leftarrow

Manual or Auto-ranging

Press the RANGE button momentarily to select manual-ranging mode. The LCD symbol **AUTO** turns off. Press the button momentarily again to step through the Ranges. Press and hold the RANGE button for more than 1 second to resume auto-ranging.

Auto Power Off function

The clamp meter powers down automatically after approximately 30 minutes of inactivity. To turn it back on, move the function selector switch to OFF and back to a measuring function.

To disable Auto Power Off, press and hold the HOLD button while moving the slide switch to the desired function from OFF.

OPERATION

DC Voltage (see Fig. 1)

1. Set the Function Switch to V_{\sim} .
2. Connect the test leads: Red to +, Black to COM.
3. Connect the test probes to the circuit test points.
4. Read the display, and if necessary, correct any overload (OL) conditions.

AC Voltage (see Fig. 1)

1. Set the Function Switch to V_{\sim} .
2. Connect the test leads: Red to +, Black to COM.
3. Connect the test probes to the circuit test points.
4. Read the display, and if necessary, correct any overload (OL) conditions.

AC Current (see Fig. 2)

1. Set the Function Switch to A_{\sim} position.
2. Select AC current using the SELECT button.
3. Open spring-loaded clamp by pressing the lever on left side of meter.
4. Position clamp around one wire or conductor and release the clamp lever. Make sure that the clamp is entirely closed. The clamp must be positioned around only one conductor. If it is placed around two or more current carrying conductors, the reading is FALSE.
5. Read the displayed value, and if necessary, correct any overload (OL) conditions.

DC Current (see Fig. 2)

1. Set the Function Switch to A_{DC} position.
2. Select DC current using the SELECT button.
3. Open spring-loaded clamp by pressing the lever on left side of meter.
4. Position clamp around one wire or conductor and release the clamp lever. Make sure that the clamp is entirely closed. The clamp must be positioned around only one conductor. If it is placed around two or more current carrying conductors, the reading is FALSE.
5. Read the displayed value, and if necessary, correct any overload (OL) conditions.

CAUTION

Using the Resistance, Continuity, Diode or Capacitance functions on a live circuit will produce false results and may damage the instrument. In many cases the suspected component must be disconnected from the circuit to obtain an accurate measurement reading.

Resistance (see Fig. 3)

1. Set the Function Switch to Ω .
2. Connect the test leads: Red to +, Black to COM.
3. Turn off power to the circuit being measured.
4. Discharge any capacitors that may influence the reading.
5. Connect the test probes across the resistance.
6. Read the display. If OL appears on the highest range, the resistance is too large to be measured or the circuit is an open circuit.

Continuity (see Fig. 3)

1. Set the Function Switch to Ω and press the SELECT button until diode symbol is displayed.
2. Connect the test leads: Red to +, Black to COM.
3. Turn off power to the circuit being measured.
4. Discharge any capacitors that may influence the reading.
5. Connect the test probes across the resistance or the two points of test.
6. Listen for the tone that indicates continuity ($>10 \Omega$ and $< 120 \Omega$).

Diodes (see Fig. 3)

1. Set the Function Switch to Ω and press the SELECT button until diode symbol is displayed.
2. Connect the test leads: Red to +, Black to COM.

3. Turn off power to the circuit being measured.
4. Free at least one end of the diode from the circuit.
5. Connect the test probes across the diode noting polarity.
6. Read the display. A good diode has a forward voltage drop of about 0.6 V. An open or reverse biased diode will read .0L.

Capacitance (see Fig. 3)

1. Set the Function Switch to Ω and press the SELECT button until H is displayed.
2. Connect the test leads: Red to +, Black to COM.
3. Turn off power to the circuit being measured.
4. Discharge the capacitor using a 100 k Ω resistor.
5. Free at least one end of the capacitor from the circuit.
6. Connect the test probes across the capacitor.
7. Read the display.
8. Relative zero mode can be used to zero out the parasitic capacitance of the leads and the internal protection circuitry of the meter when measuring low capacitance in the order of Pico Farad (pF).

MAINTENANCE AND REPAIR

If there appears to be a malfunction during the operation of the meter, the following steps should be performed in order to isolate the cause of the problem:

1. Check the battery.
2. Review the operating instructions for possible mistakes in operating procedure.
3. Inspect and test the test leads for a broken or intermittent connection.

Except for the replacement of the battery or test probes, repair of the multimeter should be performed only by a Factory Authorized Service Center or by other qualified instrument service personnel. The front panel and case can be cleaned with a mild solution of detergent and water. Apply sparingly with a soft cloth and allow to dry completely before using. Do not use aromatic hydrocarbons or chlorinated solvents for cleaning.

Battery Replacement (see Fig. 4)

Warning

To prevent electrical shock or meter damage, disconnect the meter's test leads from any circuit and the meter, then turn the meter off before removing the battery cover. Battery replacement should be performed in a clean environment and with appropriate care taken to avoid contaminating the meter's interior components.

1. Remove the screw and lift the battery cover.
2. Replace the batteries with the same type (1.5V AAA). Note polarity guide below the battery.
3. Replace the battery cover and screw.

SPECIFICATIONS

General Specifications

Display:	3-3/4 digits 4000 counts LCD display
Update Rate:	3 per second nominal
Polarity:	Automatic
Power Supply:	standard 1.5V AAA Size (NEDA 24G or IEC R03) battery x
Power Consumption:	typical 11 mA for ACA/DCA and 2.9 mA for other functions
APO Timing:	idle for 30 minutes
APO Consumption:	typical 10 μ A for ACDC- 100 and 90 μ A for ACDC- 100 TRMS
Low battery:	below approx. 2.4V
Environment:	Indoor operation, below 2000 m
Temperature / Humidity:	
Operating:	0°C to 40°C (14°F to 122 °F)
Relative humidity :	< 80% RH @ 31°C decreasing linearly to 50% RH at 40°C
Storage:	-20°C to 60°C (-4°F to 122 °F) / < 80% RH
Temperature Coefficient :	0. 5 x (specified accuracy)/ °C @ (0°C to 18°C or 28°C to 40°C)
Sensing :	Average sensing for ACDC- 100; True RMS for ACDC- 100 TRMS
Clamp-on jaw:	DC 1000A or AC 800A rms continuous
+ & COM terminals (all functions) :	600VDC/VAC rms
Jaw opening:	50mm max
Dimension :	227 x 78 x 40mm (8.9 x 3.1 x 1.6 in.)
Weight :	290 gm (0.6 lb)
Safety LVD:	Meets EN61011-1:2001; EN61010-2-032(2002), Category III- 600 Volts ac & dc; pollution degree : 2; class 2

CE EMC: This product complies with requirements of the following European Community Directives: 89/336/EEC (Electromagnetic Compatibility) and 73/23/EEC (Low Voltage) as amended by 93/68/EEC (CE Marking). However, electrical noise or intense electromagnetic fields in the vicinity of the equipment may disturb the measurement circuit. Measuring instruments will also respond to unwanted signals that may be present within the measurement circuit. Users should exercise care and take appropriate precautions to avoid misleading results when making measurements in the presence of electronic interference.

Electrical (23 °C ± 5 °C) < 75% RH

DC Voltage

RANGE	Accuracy
400.0 mV	± (0.3% + 3dgts)
4.000V, 40.00V, 400.0V	± (0.5% + 3dgts)
600V	± (1.0% + 4dgts)

Resolution : 0.1 mV on 400 mV range

NMRR : >50dB @ 50/60Hz

CMRR : >20dB @ DC, 50/60Hz, Rs=1kΩ

Input Impedance : 10MΩ, 30pF nominal (1000MΩ for 400.0mV range)

Max input : 600VDC/VAC rms

AC Voltage

RANGE	Frequency	Accuracy
400.0mV ¹⁾	50Hz to 500Hz	± (4.0% + 4dgts)
4.000V, 40.00V, 400.0V	50Hz to 60Hz	± (1.0% + 4dgts)
4.000V, 40.00V, 400.0V	60Hz to 500Hz	± (1.5% + 4dgts)
600V	50Hz to 500Hz	± (2.0% + 4dgts)

Resolution: 0.1 mV on 400 mV range

CMRR : >60db @ DC to 60Hz, Rs= 1kΩ

Input impedance: 10MΩ, 30pf nominal

Crest factor (ACDC-100 TRMS): < 1.6: at full scale; < 3.2: at half scale

Max input: 600VDC/VAC rms

¹⁾ Selection by Range button manually, and is specified from AC 40mV (AC 60mV for ACDC-100 TRMS) and up

Resistance

RANGE	Accuracy
400.0Ω	± (0.8% + 6dgts)
4.000kΩ, 40.00kΩ, 400.0kΩ	± (0.6% + 4dgts)
4.000MΩ	± (1.0% + 4dgts)
40.00MΩ	± (2.0% + 4dgts)

Resolution: 0.1 Ω on 400 Ω range

Open Circuit Voltage : 0.4VDC typical

Continuity Tester

Open Circuit Voltage: 0.4Vdc typical

Range: 400.0Ω

Accuracy: ± (1.5% + 6dgts)

Audible threshold: between 10Ω and 120Ω.

Diode Tester

Open Circuit Voltage < 1.6 Vdc

Test Current (Typical) 0.4mA

Capacitance

RANGE ¹⁾	Accuracy ^{2) 3)}
500.0 nf, 5.000 µf, 50.00 µf, 500.0 µf, 3000 µf	± (3.5% + 6dgts)

Resolution: 0.1 nf on 500.0 nf range

¹⁾ Additional 50.00nf range accuracy is not specified

²⁾ Accuracies with film capacitor or better

³⁾ Specified with battery voltage above 2.8V (approximately half full battery). Accuracy decreases gradually to 12% at low battery warning voltage of approximately 2.4V

DC Current (Clamp-On)

RANGE	Accuracy ^{1) 2)}
0.0A to 400.0A	± (1.5% + 4dgts)
400A to 800A	± (1.5% + 4dgts)
800A to 900A	± (2.0% + 4dgts)
900A to 1000A	± (5.0% + 30dgts)

Max current: 1000A continuous

Resolution: 0.1 A on 400 A range

¹⁾ Induced error from adjacent current-carrying conductor: < 0.01A/A

²⁾ Zero mode must be applied to zero the unit before measurement to ensure accuracy.

ACA Current (Clamp-on)

RANGE	Frequency	Accuracy ^{1) 2)}
400.0A	5Hz to 40Hz	± (2.0% + 5dgts) ³⁾
400.0A	40Hz to 200Hz	± (1.5% + 5dgts)
< 50A ⁴⁾	200Hz to 400Hz	± (1.5% + 5dgts)
< 50A ⁴⁾	400Hz to 1kHz	± (2.0% + 5dgts)
400A to 600A	5Hz to 40Hz	± (2.0% + 5dgts) ³⁾
400A to 600A	40Hz to 100Hz	± (1.5% + 4dgts)
600A to 800A	5Hz to 60Hz	± (5.0% + 30dgts)

Max current: 800A rms continuous

Resolution: 0.1 A on 400 A range

¹⁾ Induced error from adjacent current-carrying conductor: < 0.01A/A

²⁾ Crest Factor (ACDC-100 TRMS): < 1.6 : at full scale; < 3.2 : at half scale

³⁾ ± (4.0% + 5dgts) for ACDC- 100 TRMS

⁴⁾ Accuracy is specified at <50A in this frequency bandwidth due to limited calibrator output capability for testing

ACDC-100-F02

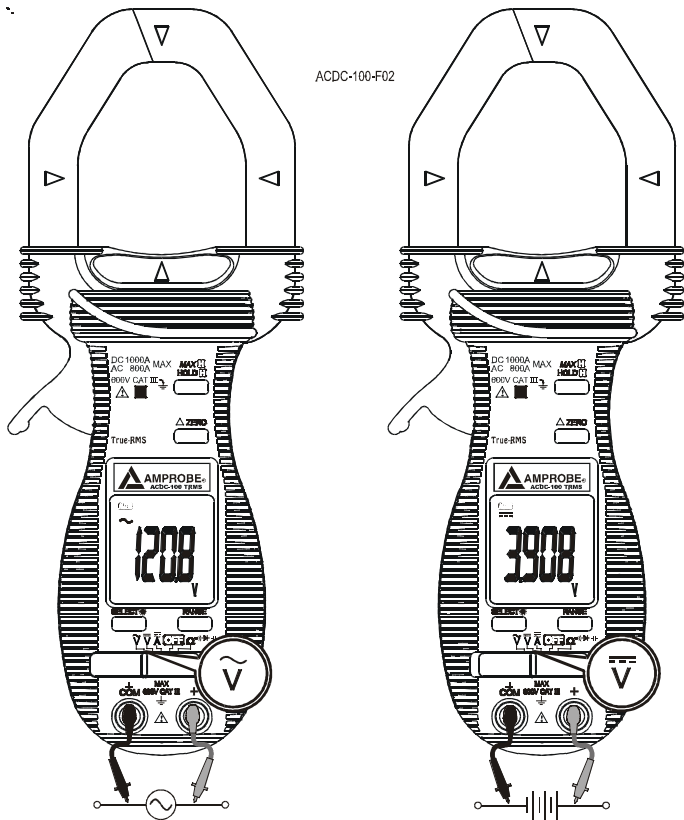


Figure 1. — DC Voltage and AC Voltage functions

ACDC-100-F03

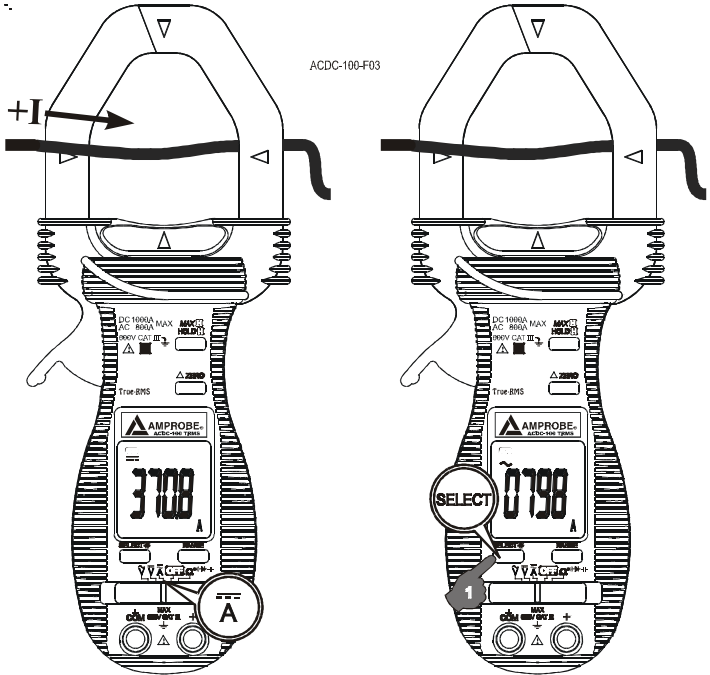


Figure 2. — ACA & DCA Current clamp-on function

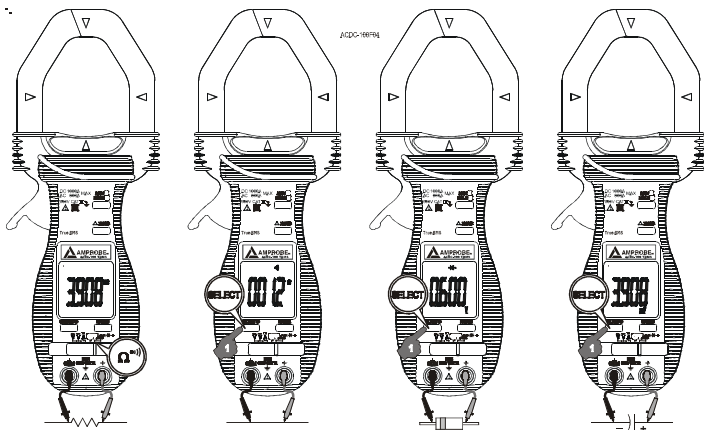


Figure 3. — Resistance, Continuity, Capacitance and Diode functions

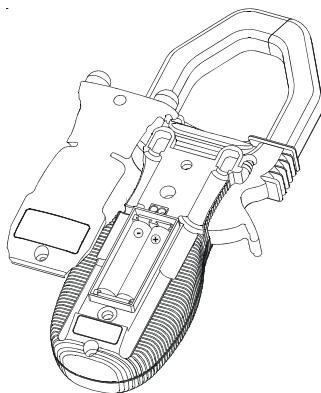


Figure 4. — Battery replacement



ACDC-100 TRMS ACDC-100

Pince multimètre C.A./C.C.
polyvalente

Mode d'emploi

Limites de garantie et de responsabilité

Amprobe garantit l'absence de vices de matériaux et de fabrication de ce produit pendant une période d'un (1) an prenant effet à la date d'achat. Cette garantie ne s'applique pas aux fusibles, aux piles jetables ni à tout produit mal utilisé, modifié, contaminé, négligé ou endommagé par accident ou soumis à des conditions anormales d'utilisation et de manipulation. Les distributeurs agréés par Amprobe ne sont pas autorisés à appliquer une garantie plus étendue au nom d'Amprobe. Pour bénéficier de la garantie, renvoyez le produit accompagné d'un justificatif d'achat auprès d'un centre de services agréé par Amprobe Test Tools ou d'un distributeur ou d'un revendeur Amprobe. Voir la section Réparation pour tous les détails. LA PRESENTE GARANTIE EST LE SEUL ET EXCLUSIF RECOURS. TOUTES AUTRES GARANTIES, EXPLICITES, IMPLICITES OU STATUTAIRES, NOTAMMENT LE CAS ECHEANT LES GARANTIES DE QUALITE MARCHANDE OU D'ADAPTATION A UN OBJECTIF PARTICULIER, SONT EXCLUES PAR LES PRESENTES. LE FABRICANT NE SERA EN AUCUN CAS TENU RESPONSABLE DES DOMMAGES PARTICULIERS, INDIRECTS, ACCIDENTELS OU CONSECUTIFS, NI D'AUCUNS DEGATS OU PERTES DE DONNEES, SUR UNE BASE CONTRACTUELLE, EXTRA-CONTRACTUELLE OU AUTRE. Etant donné que certaines juridictions n'admettent pas les limitations d'une condition de garantie implicite, ou l'exclusion ou la limitation de dégâts accidentels ou consécutifs, il se peut que les limitations et/ou les exclusions de cette garantie ne s'appliquent pas à votre cas.

Réparation

Tous les outils de test renvoyés pour une réparation ou un étalonnage couvert ou non par la garantie doivent être accompagnés des éléments suivants : nom, raison sociale, adresse, numéro de téléphone et justificatif d'achat. Ajoutez également une brève description du problème ou du service demandé et incluez les cordons de mesure avec l'appareil. Les frais de remplacement ou de réparation hors garantie doivent être acquittés par chèque, mandat, carte de crédit avec date d'expiration ou par bon de commande payable à l'ordre d'Amprobe® Test Tools.

Remplacements et réparations sous garantie – Tous pays

Veillez lire la déclaration de garantie et vérifier les piles avant de demander une réparation. Pendant la période de garantie, tout outil de test défectueux peut être renvoyé auprès de votre distributeur Amprobe® Test Tools pour être échangé contre un produit identique ou similaire. Consultez la section « Where to Buy » sur le site www.amprobe.com pour obtenir la liste des distributeurs dans votre région. Les appareils sous garantie devant être remplacés ou réparés au Canada et aux Etats-Unis peuvent également être envoyés dans un centre de services Amprobe® Test Tools (voir les adresses ci-dessous).

Remplacements et réparations hors garantie – Canada et Etats-Unis

Les appareils à réparer hors garantie au Canada et aux Etats-Unis doivent être envoyés dans un centre de services Amprobe® Test Tools. Appelez Amprobe® Test Tools ou renseignez-vous auprès de votre lieu d'achat pour connaître les tarifs en vigueur de remplacement ou de réparation.

Aux Etats-Unis

Amprobe Test Tools
Everett, WA 98203 E-U
Tél. : 877-AMPROBE (267-7623)

Au Canada

Amprobe Test Tools
Mississauga, Ontario L4Z 1X9 Canada
Tél. : 905-890-7600

Remplacements et réparations hors garantie – Europe

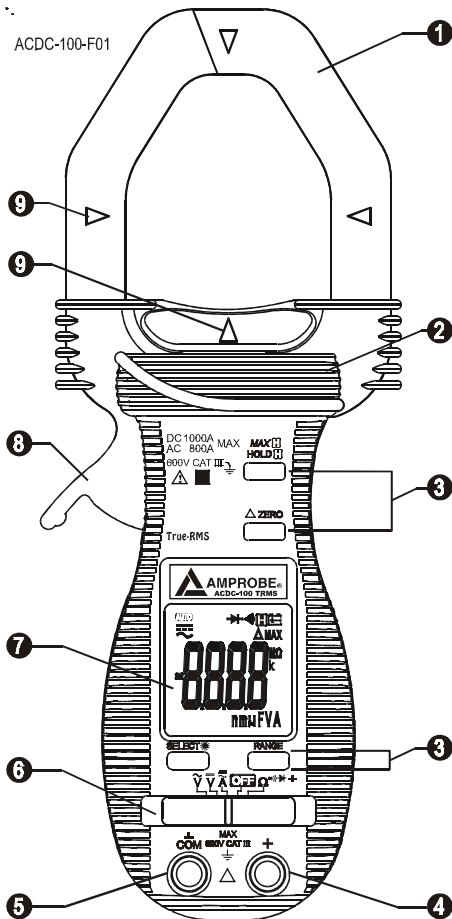
Les appareils européens non couverts par la garantie peuvent être remplacés par votre distributeur Amprobe® Test Tools pour une somme nominale. Consultez la section « Where to Buy » sur le site www.amprobe.com pour obtenir la liste des distributeurs dans votre région.

Adresse postale européenne*

Amprobe® Test Tools Europe
In den Engematten 14
79286 Glottertal, Allemagne
Tél. : +49 (0) 7684 8009 - 0

*(Réservée à la correspondance – Aucun remplacement ou réparation n'est possible à cette adresse. Nos clients européens doivent contacter leur distributeur.)



ACDC-100-F01



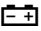






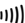





- 1** Mâchoire de pince ampèremétrique à effet Hall pour les mesures de courants électriques c.a. et c.c. sur le terrain
- 2** Colerette de protection des doigts indiquant les limites d'accès sécurisé sur l'appareil pendant les mesures
- 3** Boutons poussoirs des fonctionnalités spéciales
- 4** Prise d'entrée pour toutes les fonctions SAUF les fonctions de courant A c.a. et A c.c. non invasives
- 5** Prise d'entrée commune (référence à la terre) pour toutes les fonctions SAUF les fonctions de courant A c.a. et A c.c. non invasives
- 6** Interrupteur d'alimentation marche/arrêt (ON/OFF) et commutateur de fonction
- 7** Ecran LCD à 3-3/4 chiffres, 4 000 comptes
- 8** Gâchette d'ouverture des mâchoires de la pince
- 9** Indicateurs de centrage des mâchoires, là où la meilleure précision A c.a. et V. c.a. est spécifiée

ACDC-100 TRMS / ACDC-100

Pince multimètre C.A./C.C. polyvalente

Symboles	21
Consignes de securite.....	21
Deballage et verification du contenu	22
Introduction.....	22
Fonctionnalites	22
Repères d'alignement	22
MAX  / HOLD 	22
HOLD	23
MAX	23
△ Mode du zéro relatif	23
SELECT / Rétroéclairage (☺).....	23
Mode de gamme automatique ou manuel	23
Fonction d'arrêt automatique	23
Fonctionnement	23
Tension continue	23
Tension alternative	23
Courant alternatif	24
Courant continu	24
Résistance	24
Continuité	24
Diodes	24
Capacité	25
Entretien et reparation	25
Changement des piles	25
Specifications.....	26
Caractéristiques générales	26
Electricité.....	27

SYMBILES

	Batterie		Se reporter au mode d'emploi
	Double isolation		Tension dangereuse
	Courant continu		Prise de terre
	Courant alternatif		Signal sonore
	Conforme aux normes australiennes.		Conforme aux directives de l'UE.
	Ne pas mettre ce produit au rebut avec les déchets ménagers non triés.		Underwriters Laboratories [Remarque : norme canadienne et américaine.]
	L'application et le retrait de la pince à proximité de conducteurs sous tension dangereuse sont autorisés.		

CONSIGNES DE SECURITE

- Les pinces multimètres numériques modèles ACDC-100 sont conformes à EN61010-1:2001 ; EN61010-2-032:2002 ; CAT III 600 V, classe 2 et degré de pollution 2.
- Cet appareil est certifié conforme à la norme EN61010-1 pour les installations de catégorie III (600 V). Il est recommandé pour les installations fixes et les équipements au niveau distribution, ainsi que pour les installations de catégories inférieures, mais il n'est pas destiné aux lignes du réseau d'alimentation électrique principale, aux lignes aériennes ou aux systèmes câblés.
- Ne pas dépasser les limites de surcharge maximum par fonction (voir les spécifications) ou les limites indiquées sur l'appareil lui-même. Ne jamais appliquer plus de 600 V c.c./600 V c.a. eff. entre le cordon de mesure et la prise de terre.

Avertissements et précautions

- Avant et après les mesures de tensions dangereuses, tester la fonction de tension sur une source connue, une tension secteur p. ex., pour déterminer le bon fonctionnement de l'appareil.
- Débrancher les cordons de mesure des points de test avant de changer de fonction sur l'appareil.
- Inspecter la pince multimètre, les cordons de mesure et les accessoires avant toute utilisation. Ne pas utiliser de pièce endommagée.
- Ne jamais se relier à la terre en prenant des mesures. Ne toucher ni aux éléments de circuit exposés ni aux pointes des sondes de test.
- Ne pas utiliser l'appareil dans une atmosphère explosive.
- Pour réduire le risque d'incendie ou d'électrocution, ne pas exposer cet appareil à l'humidité ou à la pluie.
- L'appareil est destiné à être utilisé uniquement à l'intérieur. Pour éviter les chocs électriques, observer les précautions de sécurité appropriées en intervenant sur des tensions supérieures à 60 V c.c. ou à 30 V c.a. eff. Ces niveaux de tension présentent un risque d'électrocution pour l'utilisateur.

- Avant et après les mesures de tensions dangereuses, tester la fonction de tension sur une source connue, une tension secteur p. ex., pour déterminer le bon fonctionnement de l'appareil.
- Garder les doigts derrière les collerettes de protection qui indiquent les limites de sécurité de l'appareil et des cordons pendant la mesure.
- Inspecter les cordons de mesure, les connecteurs et les sondes pour détecter l'endommagement de l'isolant ou les parties métalliques exposées avant d'utiliser l'instrument. Remplacer immédiatement l'élément si des défauts sont détectés.
- Cette pince multimètre est destinée à être retirée ou appliquée aux conducteurs sous tension dangereuse non isolés. Utiliser des équipements de protection individuelle si des pièces sous tension dangereuse sont accessibles.
- Faire preuve d'extrême prudence en : mesurant une tension > 20 V // un courant > 10 mA // les lignes d'alimentation secteur avec charges inductives // les lignes d'alimentation secteur pendant les orages électriques // un courant alors que le fusible a sauté dans un circuit avec une tension en circuit ouvert > 1 000 V // lors d'une intervention sur un appareil à écran cathodique.
- Retirer les cordons de mesure avant d'ouvrir le boîtier pour changer la pile.
- Débrancher l'alimentation du circuit et décharger tous les condensateurs à tension élevée avant de contrôler la résistance, la continuité, les diodes ou la capacité.
- Pour éviter les mesures erronées qui posent des risques d'électrocution ou de blessure, remplacer la pile dès l'apparition de l'indicateur d'état de pile faible (🔋).

DEBALLAGE ET VERIFICATION DU CONTENU

Le carton d'emballage doit inclure les éléments suivants :

- 1 ACDC-100 ou ACDC-100 TRMS
- 1 jeu de cordons de mesure
- 2 piles AAA de 1,5 V (installées)
- 1 mode d'emploi
- 1 mallette de transport

Si l'un de ces éléments est endommagé ou manquant, renvoyez immédiatement le contenu complet de l'emballage au lieu d'achat pour l'échanger.

INTRODUCTION


Les pinces multimètres ACDC-100 et ACDC-100 TRMS sont des pinces multimètres 1000 A / 600 V avec une ouverture de mâchoire de 50 mm pour les applications industrielles. Elles offrent notamment une mesure du courant d'appel et des grandes tailles de conducteur, ainsi que des tests de tension c.a./c.c., de courant c.a./c.c., de résistance, de continuité et de diode.

FONCTIONNALITES

Repères d'alignement (voir fig. 1)

Positionnez le conducteur entre les mâchoires au niveau de l'intersection indiquée par les repères, le plus près possible pour maximiser la précision de la lecture.

MAX / HOLD

La fonction HOLD gèle l'affichage à la pression du bouton . La fonction MAX compare et affiche des valeurs maximales mesurées aussi rapides que 30 ms avec le mode de gamme automatique.

HOLD

Appuyez brièvement sur le bouton **HOLD** pour activer/désactiver le maintien d'affichage pour toutes les fonctions. Appuyez brièvement sur le bouton **HOLD** pour libérer la fonction de maintien d'affichage.

MAX

Appuyez sur le bouton **HOLD** pendant au moins 1 seconde pour activer la fonction de maintien maximum **MAX HOLD** pour les fonctions V c.c., V c.a. et A c.a. Pour libérer la fonction **MAX HOLD**, appuyez sur le bouton **HOLD** pendant au moins 1 seconde.

△ Mode du zéro relatif

Le mode du zéro relatif permet de régler le décalage des mesures successives de la pince multimètre en utilisant la valeur de référence affichée. L'affichage montre maintenant les mesures relativement à la valeur de référence enregistrée. Autrement dit, affichage = mesure – valeur mémorisée. Une brève pression du bouton permet de basculer en mode relatif.

SELECT / Rétroéclairage (☉)

Appuyez sur le bouton de rétroéclairage pendant plus d'une seconde pour l'activer ou le désactiver.

Appuyez sur le bouton SELECT / rétroéclairage pour faire défiler les options de la fonction A[∞] et Ω sélectionnées manuellement :

A[∞] → A[~] et Ω → |||) → ➔ → ⚡

Mode de gamme automatique ou manuel

Appuyez brièvement sur le bouton RANGE pour sélectionner le mode de gamme manuel. Le symbole LCD **AUTO** s'éteint. Appuyez brièvement une nouvelle fois sur le bouton pour passer d'une gamme à l'autre. Maintenez le bouton RANGE enfoncé pendant au moins 1 seconde pour revenir en mode de gamme automatique.

Fonction d'arrêt automatique

La pince multimètre s'éteint automatiquement après environ 30 minutes d'inactivité.

Pour la remettre en marche, éloignez le commutateur de fonction de la position OFF pour choisir une fonction de mesure.

Pour désactiver l'arrêt automatique, maintenez le bouton HOLD enfoncé tout en éloignant le commutateur de la position OFF vers la fonction souhaitée.

FONCTIONNEMENT

Tension continue (voir fig. 1)

1. Réglez le commutateur de fonction sur V[∞].
2. Branchez les cordons de mesure : Rouge sur +, noir sur **COM**.
3. Branchez les sondes de test aux points de test du circuit.
4. Lisez l'affichage et corrigez le cas échéant toute surcharge (OL).

Tension alternative (voir fig. 1)

1. Réglez le commutateur de fonction sur V[~].
2. Branchez les cordons de mesure : Rouge sur +, noir sur **COM**.
3. Branchez les sondes de test aux points de test du circuit.
4. Lisez l'affichage et corrigez le cas échéant toute surcharge (OL).

Courant alternatif (voir fig. 2)

1. Réglez le commutateur de fonction sur $A\tilde{\sim}$.
2. Sélectionnez le courant AC en utilisant le bouton SELECT.
3. Ouvrez la pince à ressort en appuyant sur le levier à gauche de la pince multimètre.
4. Serrez la pince autour d'un fil ou d'un conducteur et relâchez le levier de la pince. Vérifiez que la pince est bien refermée. La pince ne doit enserrer qu'un conducteur. Si elle serre deux ou plusieurs conducteurs transportant le courant, la mesure est FAUSSE.
5. Lisez la valeur affichée et corrigez le cas échéant toute surcharge (OL).

Courant continu (voir fig. 2)

1. Réglez le commutateur de fonction sur $A\text{---}$.
2. Sélectionnez le courant DC en utilisant le bouton SELECT.
3. Ouvrez la pince à ressort en appuyant sur le levier à gauche de la pince multimètre.
4. Serrez la pince autour d'un fil ou d'un conducteur et relâchez le levier de la pince. Vérifiez que la pince est bien refermée. La pince ne doit enserrer qu'un conducteur. Si elle serre deux ou plusieurs conducteurs transportant le courant, la mesure est FAUSSE.
5. Lisez la valeur affichée et corrigez le cas échéant toute surcharge (OL).

ATTENTION

L'utilisation des fonctions de résistance, de continuité, de diode ou de capacité sur un circuit sous tension produit des résultats erronés et risque d'endommager l'instrument. Le plus souvent, le composant suspect doit être débranché du circuit pour obtenir une mesure précise.

Résistance (voir fig. 3)

1. Réglez le commutateur de fonction sur Ω .
2. Branchez les cordons de mesure : Rouge sur +, noir sur COM.
3. Mettez hors tension le circuit à mesurer.
4. Déchargez les condensateurs susceptibles d'influencer la lecture.
5. Branchez les sondes de test aux bornes de la résistance.
6. Lisez l'affichage. L'affichage OL sur la gamme la plus élevée indique que la résistance est trop grande pour être mesurée ou que le circuit est ouvert.

Continuité (voir fig. 3)

1. Réglez le commutateur de fonction sur Ω et appuyez sur le bouton SELECT jusqu'à ce que ||| s'affiche.
2. Branchez les cordons de mesure : Rouge sur +, noir sur COM.
3. Mettez hors tension le circuit à mesurer.
4. Déchargez les condensateurs susceptibles d'influencer la lecture.
5. Branchez les sondes de test aux bornes de la résistance ou aux deux points du test.
6. Notez la tonalité qui indique la continuité ($> 10 \Omega$ et $< 120 \Omega$).

Diodes (voir fig. 3)

1. Réglez le commutateur de fonction sur Ω et appuyez sur le bouton SELECT jusqu'à ce que \rightarrow s'affiche.
2. Branchez les cordons de mesure : Rouge sur +, noir sur COM.

3. Mettez hors tension le circuit à mesurer.
4. Libérez du circuit au moins une extrémité de la diode.
5. Branchez les sondes de test aux bornes de diode en notant la polarité.
6. Lisez l'affichage. Une diode en bon état présente une chute de tension dans le sens direct d'environ 0,6 V. Une diode ouverte ou polarisée dans le sens inverse indique .0L.

Capacité (voir fig. 3)

1. Réglez le commutateur de fonction sur Ω et appuyez sur le bouton SELECT jusqu'à ce que -- s'affiche.
2. Branchez les cordons de mesure : Rouge sur +, noir sur COM.
3. Mettez hors tension le circuit à mesurer.
4. Déchargez le condensateur dans une résistance de 100 k Ω .
5. Libérez du circuit au moins une extrémité du condensateur.
6. Reliez les sondes de test aux bornes du condensateur.
7. Lisez l'affichage.
8. Le mode du zéro relatif permet d'annuler la capacité parasite des cordons et les circuits de protection internes de la pince multimètre en mesurant une faible capacité de l'ordre du Pico Farad (pF).

ENTRETIEN ET REPARATION

Si une anomalie est suspectée pendant le fonctionnement de la pince multimètre, procédez comme suit pour isoler la cause du problème :

1. Vérifiez la pile.
2. Consultez les consignes d'utilisation pour vérifier les erreurs possibles lors de l'utilisation.
3. Inspectez et testez les cordons de mesure pour détecter un branchement intermittent ou brisé.

Les interventions sur le multimètre, à l'exception du changement des piles ou des sondes de test, doivent être effectuées en usine dans un centre de services agréé ou par un autre personnel de réparation qualifié. La face avant et le boîtier peuvent être nettoyés à l'aide d'une solution légère à base d'eau et de détergent. Appliquez cette solution avec modération en utilisant un tissu doux et laissez bien sécher avant l'utilisation. N'utilisez pas de solvants à base de chlore ou d'hydrocarbures aromatiques pour le nettoyage.

Changement des piles (voir fig. 4)

Avertissement

Pour éviter les chocs électriques ou l'endommagement de la pince multimètre, débrancher les cordons de mesure du circuit et de la pince multimètre et mettre celle-ci hors tension avant de retirer le couvercle du logement. Les piles doivent être remplacées avec soin dans un environnement propre pour ne pas contaminer les composants internes de la pince multimètre.

1. Retirez la vis et soulevez le couvercle de pile.
2. Installez des piles neuves du même type (1,5 V AAA). Notez le repère de polarité sous la pile.
3. Remplacez le couvercle de pile et vissez.

SPECIFICATIONS

Caractéristiques générales

Affichage :	Ecran LCD à 3-3/4 chiffres, 4 000 comptes
Vitesse de rafraîchissement :	3 par seconde (nominale)
Polarité :	Automatique
Alimentation :	2 piles AAA standard de 1,5 V (NEDA 24G ou CEI R03)
Consommation d'énergie :	11 mA pour ACA/DCA et 2,9 mA pour les autres fonctions (typique)
Arrêt automatique (APO) :	Après 30 minutes d'inactivité
Consommation avec APO :	10 μ A typique pour l'ACDC-100 et 90 μ A pour l'ACDC-100 TRMS
Pile faible :	En dessous de 2,4 V environ
Environnement :	Fonctionnement en intérieur, en dessous de 2 000 m.
Température / Humidité :	
Fonctionnement :	0 °C à 40 °C (14 °F à 122 °F)
Humidité relative :	< 80 % HR à 31 °C diminuant linéairement jusqu'à 50 % HR à 40 °C
Entreposage :	-20 °C à 60 °C (-4 °F à 122 °F) / < 80 % HR
Coefficient de température :	0,5 x (précision spécifiée)/ °C à (0 °C à 18 °C ou 28 °C à 40 °C)
Mesure :	Détection moyenne pour l'ACDC-100 ; valeur efficace vraie pour l'ACDC-100 TRMS
Mâchoire de pince :	c.c. 1000 A ou c.a. 800 A eff. continu
Bornes + et COM (toutes fonctions) :	600 V c.c./V c.a. eff.
Ouverture des mâchoires :	50 mm max
Dimensions :	227 x 78 x 40 mm (8,9 x 3,1 x 1,6 po)
Poids :	290 g (0,6 lb)
LVD sécurité :	Conforme à EN60101-1:2001 ; EN61010-2-032(2002), Catégorie III- 600 V c.a. et c.c. ; degré de pollution : 2 ; classe 2

CE EMC : Ce produit est conforme aux directives suivantes de la Communauté européenne : 89/336/CEE (Compatibilité électromagnétique) et 73/23/CEE (Basse tension) modifiée par 93/68/CEE (Marquage CE). Toutefois, le bruit électrique ou les champs électromagnétiques intenses à proximité de l'équipement sont susceptibles de perturber le circuit de mesure. Les appareils de mesure réagissent également aux signaux indésirables qui seraient présents dans le circuit de mesure. Les utilisateurs doivent faire preuve de prudence et prendre les mesures nécessaires pour éviter les erreurs de mesure en présence de parasites électromagnétiques.

Electricité (23 °C ± 5 °C) < 75 % HR

Tension continue

GAMME	Précision
400,0 mV	± (0,3 % + 3 chiffres)
4,000 V, 40,00 V, 400,0 V	± (0,5 % + 3 chiffres)
600 V	± (1,0 % + 4 chiffres)

Résolution : 0,1 mV sur la gamme 400 mV

Taux d'élimination en mode normal : > 50 dB à 50/60 Hz

Taux d'élimination en mode commun : > 20 dB en courant continu, 50/60 Hz, Rs=1 kΩ

Impédance d'entrée : 10 MΩ, 30 pF nominal (1 000 MΩ pour la gamme 400,0 mV)

Entrée max : 600 V c.c./V c.a. eff.

Tension alternative

GAMME	Fréquence	Précision
400,0 mV ¹⁾	50 Hz à 500Hz	± (4,0 % + 4 chiffres)
4,000 V, 40,00 V, 400,0 V	50 Hz à 60Hz	± (1,0 % + 4 chiffres)
4,000 V, 40,00 V, 400,0 V	60 Hz à 500 Hz	± (1,5 % + 4 chiffres)
600 V	50 Hz à 500 Hz	± (2,0 % + 4 chiffres)

Résolution : 0,1 mV sur la gamme 400 mV

Taux d'élimination en mode commun : > 60 db en courant continu jusqu'à 60 Hz, Rs=1 kΩ

Impédance d'entrée : 10 MΩ, 30 pF nominal

Facteur de crête (ACDC-100 TRMS) : < 1,6 : à pleine échelle ; < 3,2 : à mi-échelle

Entrée max : 600 V c.c./V c.a. eff.

¹⁾ Sélection de gamme manuelle ; spécifiée à partir de 40 mV en courant alternatif (60 mV en c.a. pour l'ACDC-100 TRMS) et plus

Résistance

GAMME	Précision
400,0 Ω	± (0,8 % + 6 chiffres)
4,000 kΩ, 40,00 kΩ, 400,0 kΩ	± (0,6 % + 4 chiffres)
4,000 MΩ	± (1,0 % + 4 chiffres)
40,00 MΩ	± (2,0 % + 4 chiffres)

Résolution : 0,1 Ω sur la gamme 400 Ω

Tension en circuit ouvert : 0,4 V c.c. typique

Essai de continuité

Tension en circuit ouvert : 0,4 V c.c. typique

Gamme : 400,0 Ω

Précision : ± (1,5 % + 6 chiffres)

Seuil sonore : entre 10 Ω et 120 Ω

Contrôleur de diode

Tension en circuit ouvert : < 1,6 V c.c.

Courant de test (typique) : 0,4 mA

Capacité

GAMME ¹⁾	Précision ^{2) 3)}
500,0 nf, 5,000 µf, 50,00 µf, 500,0 µf, 3 000 µf	± (3,5 % + 6 chiffres)

Résolution : 0,1 nf sur la gamme 500,0 nf

¹⁾ La précision supplémentaire de la gamme 50,00 nf n'est pas spécifiée

²⁾ Précisions avec condensateur à film plastique ou mieux

³⁾ Spécifiée avec la tension de batterie supérieure à 2,8 V (batterie à moitié pleine). La précision diminue progressivement jusqu'à 12 % à la tension indicatrice de piles faibles, soit environ 2,4 V

Courant continu (pince)

GAMME	Précision ^{1) 2)}
0,0 A à 400,0 A	± (1,5 % + 4 chiffres)
400 A à 800 A	± (1,5 % + 4 chiffres)
800 A à 900 A	± (2,0 % + 4 chiffres)
900 A à 1 000 A	± (5,0 % + 30 chiffres)

Courant max : 1 000 A continu

Résolution : 0,1 A sur la gamme 400 A

¹⁾ Erreur induite du conducteur transportant le courant adjacent : < 0,01 A/A

²⁾ Le mode zéro doit être appliqué pour effectuer le zéro de l'appareil et garantir la précision avant les mesures.

Courant A c.a. (pince)

GAMME	Fréquence	Précision ^{1) 2)}
400,0 A	5 Hz à 40 Hz	± (2,0 % + 5 chiffres) ³⁾
400,0 A	40 Hz à 200 Hz	± (1,5 % + 5 chiffres)
< 50 A ⁴⁾	200 Hz à 400 Hz	± (1,5 % + 5 chiffres)
< 50 A ⁴⁾	400 Hz à 1 kHz	± (2,0 % + 5 chiffres)
400 A à 600 A	5 Hz à 40 Hz	± (2,0 % + 5 chiffres) ³⁾
400 A à 600 A	40 Hz à 100 Hz	± (1,5 % + 4 chiffres)
600 A à 800 A	5 Hz à 60 Hz	± (5,0 % + 30 chiffres)

Courant max : 800 A eff. continu

Résolution : 0,1 A sur la gamme 400 A

¹⁾ Erreur induite du conducteur transportant le courant adjacent : < 0,01 A/A

²⁾ Facteur de crête (ACDC-100 TRMS) : < 1,6 : à pleine échelle ; < 3,2 : à mi-échelle

³⁾ ± (4,0 % + 5 chiffres) pour l'ACDC-100 TRMS

⁴⁾ La précision est spécifiée à < 50 A dans cette bande de fréquence en raison d'une capacité de sortie limitée du calibrateur lors des tests

ACDC-100-F02

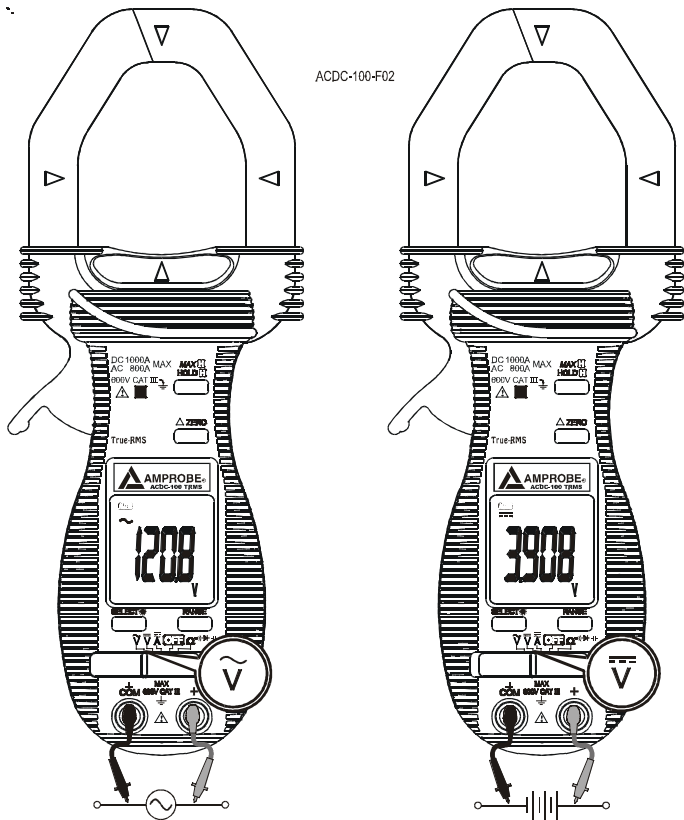


Figure 1. Fonctions de tension alternative et de tension continue

ACDC-100-F03

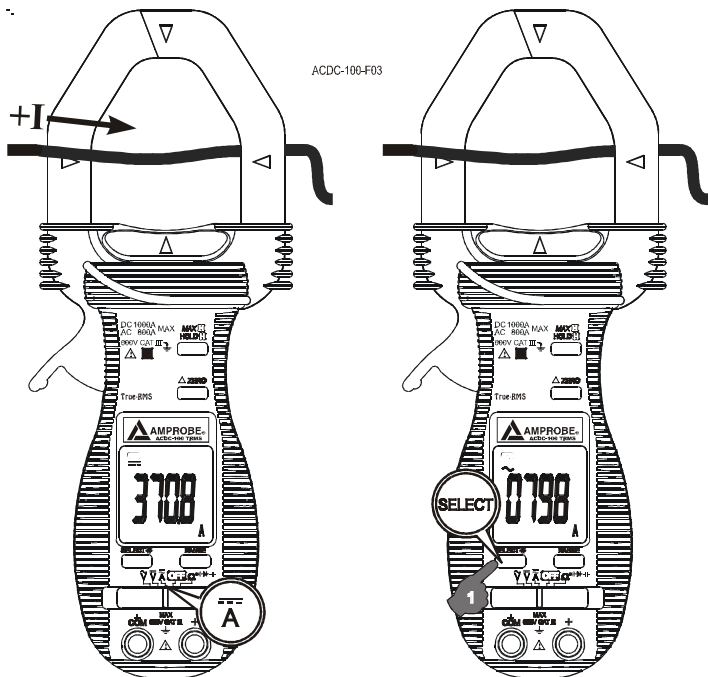


Figure 2. Fonction de la pince de courant A c.a. et A c.c.

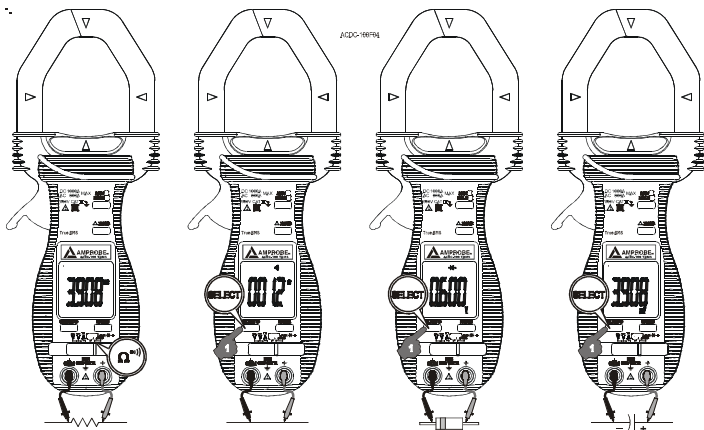


Figure 3. Fonctions de résistance, de continuité, de diode et de capacité

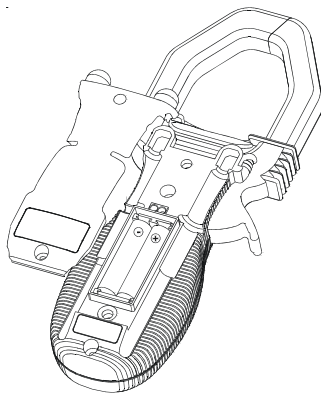


Figure 4. Changement des piles



ACDC-100 TRMS ACDC-100

Vielseitige AC/DC Clamp-on
Multimeter Serie

Bedienungshandbuch

LM100_Rev002
© 2010 Amprobe Test Tools.
Alle Rechte vorbehalten.

Deutsch

Beschränkte Gewährleistung und Haftungsbeschränkung

Es wird gewährleistet, dass dieses Amprobe-Produkt für die Dauer von einem Jahr ab dem Kaufdatum frei von Material- und Fertigungsdefekten ist. Diese Gewährleistung erstreckt sich nicht auf Sicherungen, Einwegbatterien oder Schäden durch Unfälle, Nachlässigkeit, Missbrauch, Änderungen oder abnormale Betriebsbedingungen bzw. unsachgemäße Handhabung. Die Verkaufsstellen sind nicht dazu berechtigt, diese Gewährleistung im Namen von Amprobe zu erweitern. Um während der Gewährleistungsperiode Serviceleistungen in Anspruch zu nehmen, das Produkt mit Kaufnachweis an ein autorisiertes Amprobe Test Tools Service-Center oder an einen Amprobe-Fachhändler/-Distributor einsenden. Nähere Einzelheiten siehe Abschnitt „Reparatur“. **DIESE GEWÄHRLEISTUNG STELLT DEN EINZIGEN UND ALLEINIGEN RECHTSANSPRUCH AUF SCHADENERSATZ DAR. ALLE ANDEREN GEWÄHRLEISTUNGEN, VERTRAGLICH GEREGLTE ODER GESETZLICHE VORGESCHRIEBENE, EINSCHLIESSLICH DER GESETZLICHEN GEWÄHRLEISTUNG DER MARKTFÄHIGKEIT UND DER EIGNUNG FÜR EINEN BESTIMMTEN ZWECK, WERDEN ABGELEHNT. DER HERSTELLER ÜBERNIMMT KEINE HAFTUNG FÜR SPEZIELLE, INDIRECTE, NEBEN- ODER FOLGESCHÄDEN ODER FÜR VERLUSTE, DIE AUF BELIEBIGER URSACHE ODER RECHTSTHEORIE BERUHEN.** Weil einige Staaten oder Länder den Ausschluss oder die Einschränkung einer implizierten Gewährleistung sowie den Ausschluss von Begleit- oder Folgeschäden nicht zulassen, ist diese Gewährleistungsbeschränkung möglicherweise für Sie nicht gültig.

Reparatur

Allen Geräten, die innerhalb oder außerhalb des Garantiezeitraums zur Reparatur oder Kalibrierung eingesendet werden, müssen mit folgenden Informationen und Dokumenten versehen werden: Name des Kunden, Firmenname, Adresse, Telefonnummer und Kaufbeleg. Zusätzlich bitte dem Messgerät eine kurze Beschreibung des Problems oder der gewünschten Wartung sowie die Messleitungen beilegen. Die Gebühren für außerhalb des Garantiezeitraums durchgeführte Reparaturen oder für den Ersatz von Instrumenten müssen per Scheck, Zahlungsanweisung oder Kreditkarte (Kreditkartennummer mit Ablaufdatum) beglichen werden oder es muss ein Auftrag auf Rechnung an Amprobe® Test Tools formuliert werden.

Garantiereparaturen und -austausch - alle Länder

Bitte die Garantieerklärung lesen und die Batterie prüfen, bevor Reparaturen angefordert werden. Während der Garantieperiode können alle defekten Geräte zum Umtausch gegen dasselbe oder ein ähnliches Produkt an den Amprobe® Test Tools-Distributor gesendet werden. Ein Verzeichnis der zuständigen Distributoren ist im Abschnitt „Where to Buy“ (Verkaufsstellen) auf der Website www.amprobe.com zu finden. Darüber hinaus können in den USA und in Kanada Geräte an ein Amprobe® Test Tools Service-Center (siehe Adresse unten) zur Reparatur oder zum Umtausch eingesendet werden.

Reparaturen und Ersatz außerhalb des Garantiezeitraums - USA und Kanada

Für Reparaturen außerhalb des Garantiezeitraums in den Vereinigten Staaten und in Kanada werden die Geräte an ein Amprobe® Test Tools Service-Center gesendet. Auskunft über die derzeit geltenden Reparatur- und Austauschgebühren erhalten Sie von Amprobe® Test Tools oder der Verkaufsstelle.

In den USA:

Amprobe Test Tools
Everett, WA 98203 USA
Tel.: 877-AMPROBE (267-7623)

In Kanada:

Amprobe Test Tools
Mississauga, ON L4Z 1X9 Kanada
Tel.: 905-890-7600

Reparaturen und Austausch außerhalb des Garantiezeitraums - Europa

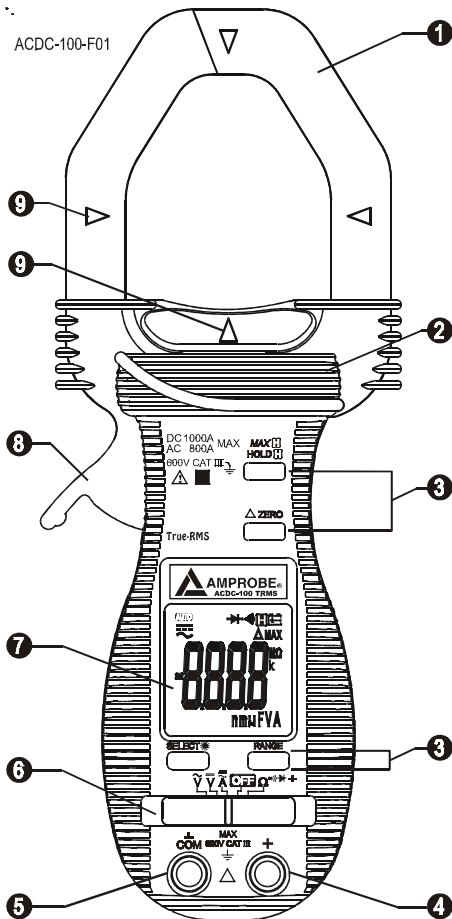
Geräte mit abgelaufener Garantie können durch den zuständigen Amprobe® Test Tools-Distributor gegen eine Gebühr ersetzt werden. Ein Verzeichnis der zuständigen Distributoren ist im Abschnitt „Where to Buy“ (Verkaufsstellen) auf der Website www.amprobe.com zu finden.

Korrespondenzanschrift für Europa*

Amprobe® Test Tools Europe
In den Engematten 14
79286 Glottertal, Deutschland
Tel.: +49 (0) 7684 8009 - 0

*(Nur Korrespondenz – keine Reparaturen und kein Umtausch unter dieser Anschrift. Kunden in Europa wenden sich an den zuständigen Distributor.)



ACDC-100-F01



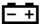






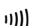




- 1** Hall-Effekt-Stromzange zur Bestimmung elektrischer Felder in Wechselstrom und Gleichstrom
- 2** Hand-/Fingerschutz zur Anzeige der Grenzen für die sichere Berührung des Messgeräts während Messungen
- 3** Drucktasten für Spezialfunktionen und Optionen
- 4** Eingangsbuchse für alle Funktionen, AUSSER nicht invasive ACA- und DCA-Stromfunktionen
- 5** Gemeinsamer Leiter (Bezugserde) Eingangsbuchse für alle Funktionen, AUSSER nicht invasive ACA- und DCA-Stromfunktionen
- 6** Schiebeschalter zum Ein-/Aus-switchen des Stroms und Auswählen von Funktionen
- 7** LCD-Anzeige, 3-3/4 Stellen, 4000 Zähler
- 8** Backenauslöser zum Öffnen Stromzange
- 9** Backenmittenanzeiger, für höchste spezifizierte ACA- und DCA-Genauigkeit

ACDC-100 TRMS / ACDC-100

Vielseitige AC/DC Clamp-on Multimeter Serie

Symbole	37
Sicherheitsinformationen	37
Auspacken und Inhalt	38
Einführung.....	38
Merkmale	38
Ausrichtungsmarkierungen	38
MAX  / HOLD 	38
HOLD	39
MAX	39
△ Relativ-Null-Modus	39
SELECT / Hintergrundbeleuchtung (☉)	39
Automatische oder manuelle Bereichswahl	39
Automatische Ausschaltfunktion	39
Bedienung	39
DC-Spannung	39
AC-Spannung	39
AC-Stromstärke	40
DC-Stromstärke	40
Widerstand	40
Kontinuität	40
Dioden	40
Kapazität	41
Wartung und Reparatur	41
Batterie ersetzen	41
Spezifikationen	42
Allgemeine Spezifikationen.....	42
Elektrisch	43

SYMBOLS

	Batterie		Im Handbuch nachlesen
	Schutzisoliert		Gefährliche Spannung
	Gleichstrom (Direct Current, DC)		Erde, Masse
	Wechselstrom (Alternating Current, AC)		Akustischer Alarm
	Übereinstimmung mit den relevanten australischen Normen.		Übereinstimmung mit EU-Vorschriften.
	Dieses Produkt nicht im unsortierten Kommunalabfall entsorgen.		Underwriters Laboratories [Hinweis: Kanada und USA].
	Anwendung in der Umgebung von gefährlichen, stromführenden Leitern zulässig.		

SICHERHEITSINFORMATIONEN

- Die digitalen ACDC-100 Serie Zangenmessgeräte stimmen mit EN61010-1:2001; EN61010-2-032:2002; CAT III 600 V, Klasse 2 und Verschmutzungsgrad 2 überein.
- Dieses Messgerät ist EN61010-1-zertifiziert für Installationskategorie III (600 V). Es wird zum Gebrauch auf Verteilungsebene und in Festinstallationen sowie auch in untergeordneten Installationen empfohlen, nicht jedoch für primäre Stromverteilung, Hochspannungsleitungen und Kabelsysteme.
- Die maximalen Überlastungsgrenzen der einzelnen Funktionen (siehe technische Daten) und die auf dem Instrument markierten Grenzwerte nicht überschreiten. Zwischen Messleitung und Masse niemals mehr als 600 V Gleichspannung oder 600 V Wechselspannung eff. anlegen.

Warn- und Vorsichtshinweise

- Vor und nach gefährlichen Spannungsmessungen die Spannungsfunktion an einer bekannten Quelle, z. B. Netzspannung, testen, um die Funktionsfähigkeit des Messgeräts zu prüfen.
- Die Messleitungen vor dem Wechseln von Messgerätfunktionen von den Prüfpunkten trennen.
- Vor jedem Gebrauch das Zangenmessgerät, die Messleitungen und das Zubehör prüfen. Keine beschädigten Teile verwenden.
- Sich selbst isolieren, wenn Messungen durchgeführt werden. Keine freiliegenden Schaltungselemente oder Prüfspitzen/Messleitungen berühren.
- Das Messgerät nicht in Umgebungen mit explosiven Gasen betreiben.
- Um das Risiko von Feuer und Stromschlag zu verringern, dieses Produkt nicht Regen oder Feuchtigkeit aussetzen.
- Das Messgerät ist ausschließlich für Gebrauch in Gebäuden konzipiert. Zur Vermeidung von Stromschlaggefahr bei Arbeiten mit Spannungen oberhalb 60 V Gleichspannung bzw. 30 V Wechselspannung eff. die ordnungsgemäßen Sicherheitsvorkehrungen einhalten. Diese Spannungen stellen eine Stromschlaggefahr für den Bediener dar.

- Vor und nach gefährlichen Spannungsmessungen die Spannungsfunktion an einer bekannten Quelle, z. B. Netzspannung, testen, um die Funktionsfähigkeit des Messgeräts zu prüfen.
- Die Hände/Finger stets hinter dem Hand-/Fingerschutz (des Messgeräts und der Messleitungen) halten, der die Grenzen sicherer Berührung des handgehaltenen Teils während Messungen angibt.
- Vor jedem Gebrauch die Messleitungen, Anschlüsse und Sonden bezüglich beschädigter Isolierung und exponiertem Metall untersuchen. Falls ein Defekt festgestellt wird, das entsprechende Teil unverzüglich ersetzen.
- Dieses Zangenmessgerät ist zum Anlegen (bzw. Abnehmen) an unisolierte, gefährliche stromführende Leiter konzipiert. Es muss persönliche Schutzausrüstung verwendet werden, wenn gefährliche stromführende Teile der Installation u. U. zugänglich sind.
- In den folgenden Situationen besonders vorsichtig vorgehen: Messung von Spannung > 20 V // Stromstärke > 10 mA // Wechselspannungsleitungen mit Induktivlasten // Wechselspannungsleitungen während Gewittern // Strom mit einer durchgebrannten Sicherung in einem Schaltkreis mit Leerlaufspannung > 1000 V // bei der Wartung von Kathodenröhrengeräten.
- Vor dem Öffnen des Gehäuses zum Auswechseln der Batterie die Messleitungen entfernen.
- Vor dem Prüfen von Widerstand, Kontinuität, Dioden oder Kapazität den Strom des Stromkreises abschalten und alle Hochspannungskondensatoren entladen.
- Zur Vermeidung falscher Messwerte, die zu Stromschlag oder Verletzungen führen können, die Batterien ersetzen, sobald die Anzeige für schwache Batterien (+) eingeblendet wird.

AUSPACKEN UND INHALT

Der Verpackungskarton sollte Folgendes enthalten:

- 1 ACDC-100 oder ACDC-100 TRMS
- 1 Messleitungssatz
- 2 1,5 V Batterien AAA/LR3 (installiert)
- 1 Bedienungshandbuch
- 1 Tragetasche

Wenn einer dieser Artikel beschädigt ist oder fehlt, unverzüglich die gesamte Sendung für einen Austausch an die Verkaufsstelle zurücksenden.

EINFÜHRUNG


Die ACDC-100 und ACDC-100 TRMS Zangenmessgeräte sind 1000 A / 600 V Messgeräte mit 50 mm Backenöffnung für industrielle Anwendungen. Zu den Merkmalen gehören großer Leiterdurchmesser und Einschaltstromspitzenmessung zusammen mit Wechselspannung/ Gleichspannung, Wechselstrom/Gleichstrom, Widerstand, Kontinuität und Diodenprüfung.

MERKMALE

Ausrichtungsmarkierungen (siehe Abb. 1)

Den Leiter innerhalb der Backen so nahe wie möglich am Schnittpunkt der angegebenen Markierungen platzieren, um die Genauigkeit der Messung zu maximieren.

MAX / HOLD

Die HOLD-Funktion friert die Anzeige ein, wenn die Taste  gedrückt wird. Die MAX-Funktion vergleicht den gemessenen Maximalwert, bis zu 30 ms schnell, und zeigt ihn an (automatische Bereichswahl ist aktiviert).

HOLD

Die **HOLD**-Taste kurz drücken, um den Haltemodus für alle Funktionen umzuschalten. Um die **HOLD**-Funktion zu deaktivieren, die Taste **HOLD** kurz drücken.

MAX

Die **HOLD**-Taste mindestens 1 Sekunde lang gedrückt halten, um den **MAX-HOLD**-Modus für die VDC-, VAC- und ACA-Funktion zu aktivieren bzw. zu deaktivieren. Um die **MAX HOLD**-Funktion zu deaktivieren, die Taste **HOLD** mindestens 1 Sekunde lang gedrückt halten.

△ Relativ-Null-Modus

Mit dem Relativ-Null-Modus können Bediener nachfolgende Messgerätmessungen unter Verwendung des angezeigten Messwertes als Referenzwert versetzen. Die Anzeige zeigt dann Messwerte relativ zum gespeicherten Referenzwert an. D. h.: Anzeige = Messwert - gespeicherter Referenzwert. Kurzes Drücken der Taste schaltet in den Relativmodus um.

SELECT / Hintergrundbeleuchtung (☼)

Drücken der Hintergrundbeleuchtungstaste (min. 1 Sekunde lang) aktiviert/deaktiviert die Hintergrundbeleuchtung.

Die Taste SELECT / Hintergrundbeleuchtung wiederholt drücken, um \overline{A} - und Ω -Funktionen manuell auszuwählen.

\overline{A} → $A\sim$ und Ω → \parallel) → \rightarrow → \rightarrow

Automatische oder manuelle Bereichswahl

Die Taste RANGE kurzzeitig drücken, um manuelle Bereichswahl auszuwählen. Das LCD-Symbol **AUTO** wird ausgeblendet. Die Taste erneut kurzzeitig drücken, um die Bereiche zu durchlaufen. Die Taste RANGE drücken und mehr als 1 Sekunde gedrückt halten, um zu automatischer Bereichswahl zurückzukehren.

Automatische Ausschaltfunktion

Das Zangenmessgerät schaltet sich nach ungefähr 30 Minuten Inaktivität automatisch aus.

Um das Gerät wieder einzuschalten, den Funktionsauswahlschalter auf OFF und dann wieder auf eine Messfunktion schalten.

Um die automatische Ausschaltfunktion zu deaktivieren, die HOLD-Taste drücken und halten und gleichzeitig den Funktionsschalter aus der Position OFF auf die gewünschte Funktion schalten.

BEDIENUNG

DC-Spannung (siehe Abb. 1)

1. Den Funktionsschalter auf $V\overline{=}$ einstellen.
2. Die Messleitungen anschließen: Rot an +, Schwarz an **COM**.
3. Die Prüfspitzen/Messleitungen an die Prüfpunkte des Stromkreises anschließen.
4. Die Anzeige ablesen und bei Bedarf vorkommende Überlastbedingungen (**OL**) beheben.

AC-Spannung (siehe Abb. 1)

1. Den Funktionsschalter auf $V\sim$ einstellen.
2. Die Messleitungen anschließen: Rot an +, Schwarz an **COM**.
3. Die Prüfspitzen/Messleitungen an die Prüfpunkte des Stromkreises anschließen.
4. Die Anzeige ablesen und bei Bedarf vorkommende Überlastbedingungen (**OL**) beheben.

AC-Stromstärke (siehe Abb. 2)

1. Den Funktionsschalter auf Position A_{\approx} einstellen.
2. Mit der Taste SELECT Wechselstromstärke auswählen.
3. Die Federzange durch Drücken des Hebels an der Seite des Messgeräts öffnen.
4. Die Zange um einen Draht oder Leiter anlegen und den Zangenhebel loslassen.
Sicherstellen, dass die Zange vollständig geschlossen ist. Die Zange darf lediglich um einen Leiter angelegt sein. Wenn sie um zwei oder mehr stromführende Leiter angelegt wird, ist die Messung FEHLERHAFT.
5. Den angezeigten Wert ablesen und bei Bedarf vorkommende Überlastbedingungen (OL) beheben.

DC-Stromstärke (siehe Abb. 2)

1. Den Funktionsschalter auf Position A_{\approx} einstellen.
2. Mit der Taste SELECT Gleichstromstärke auswählen.
3. Die Federzange durch Drücken des Hebels an der Seite des Messgeräts öffnen.
4. Die Zange um einen Draht oder Leiter anlegen und den Zangenhebel loslassen.
Sicherstellen, dass die Zange vollständig geschlossen ist. Die Zange darf lediglich um einen Leiter angelegt sein. Wenn sie um zwei oder mehr stromführende Leiter angelegt wird, ist die Messung FEHLERHAFT.
5. Den angezeigten Wert ablesen und bei Bedarf vorkommende Überlastbedingungen (OL) beheben.

VORSICHT

Der Gebrauch der Widerstands-, Kontinuitäts-, Dioden- oder Kapazitätsfunktionen auf einen stromführenden Schaltkreis erzeugt falsche Ergebnisse und kann das Messgerät beschädigen. In vielen Fällen muss die verdächtige Komponente von Schaltkreis getrennt werden, um einen genauen Messwert zu erzielen.

Widerstand (siehe Abb. 3)

1. Den Funktionsschalter auf Ω stellen.
2. Die Messleitungen anschließen: Rot an +, Schwarz an COM.
3. Die Stromversorgung des zu messenden Schaltkreises ausschalten.
4. Alle Kondensatoren entladen, die die Messung beeinflussen könnten.
5. Die Prüfleitungen/Messleitungen über dem Widerstand anlegen.
6. Die Anzeige ablesen. Wenn im höchsten Bereich OL erscheint, ist der Widerstand zu hoch, um gemessen zu werden, oder der Schaltkreis ist offen.

Kontinuität (siehe Abb. 3)

1. Den Funktionsschalter auf Ω einstellen und die SELECT-Taste drücken, bis mll angezeigt wird.
2. Die Messleitungen anschließen: Rot an +, Schwarz an COM.
3. Die Stromversorgung des zu messenden Schaltkreises ausschalten.
4. Alle Kondensatoren entladen, die die Messung beeinflussen könnten.
5. Die Prüfspitzen/Messleitungen über den Widerstand bzw. die zwei Punkte der Prüfung anlegen.
6. Auf den Ton achten, der Kontinuität ($> 10 \Omega$ und $< 120 \Omega$) anzeigt.

Dioden (siehe Abb. 3)

1. Den Funktionsschalter auf Ω einstellen und die SELECT-Taste drücken, bis \rightarrow angezeigt wird.
2. Die Messleitungen anschließen: Rot an +, Schwarz an COM.

3. Die Stromversorgung des zu messenden Schaltkreises ausschalten.
4. Mindestens ein Ende der Diode vom Schaltkreis lösen.
5. Die Prüflleitungen/Messleitungen unter Beachtung der Polarität über der Diode anlegen.
6. Die Anzeige ablesen. Eine einwandfreie Diode hat einen Vorwärtsspannungsabfall von ungefähr 0,6 V. Bei einer offenen oder rückwärts betriebenen Diode wird .0L angezeigt.

Kapazität (siehe Abb. 3)

1. Den Funktionsschalter auf Ω einstellen und die SELECT-Taste drücken, bis H angezeigt wird.
2. Die Messleitungen anschließen: Rot an +, Schwarz an COM.
3. Die Stromversorgung des zu messenden Schaltkreises ausschalten.
4. Den Kondensator mit einem 100 k Ω Widerstand entladen.
5. Mindestens ein Ende des Kondensators vom Schaltkreis lösen.
6. Die Prüfspitzen/Messleitungen über den Kondensator anlegen.
7. Die Anzeige ablesen.
8. Mit dem Relativ-Null-Modus kann die Parasitärkapazität der Messleitungen und der internen Schutzschaltungen des Messgeräts beim Messen niedriger Kapazität in Piko-Farad (pF) beseitigt werden.

WARTUNG UND REPARATUR

Wenn ein Fehlverhalten während des Betriebs des Messgeräts vermutet wird, sollten die folgenden Schritte durchgeführt werden, um die Ursache des Problems genau zu bestimmen:

1. Die Batterien prüfen.
2. Die Bedienungsanleitungen studieren, um mögliche Fehler bei der Bedienung zu erkennen.
3. Die Prüfspitzen auf unterbrochene oder intermittierend aussetzende Verbindung untersuchen und testen.

Mit Ausnahme der Auswechslung von Batterie oder Messfühler sollten Reparaturen am Multimeter ausschließlich durch werkseitig autorisiertes Servicepersonal oder Fachpersonal durchgeführt werden. Die Vorderseite und das Gehäuse können mit einer milden Lösung von Reinigungsmittel und Wasser gereinigt werden. Die Lösung spärlich mit einem weichen Tuch anwenden und das Gerät vor Gebrauch vollständig trocknen lassen. Keine aromatischen Kohlenwasserstoffe oder Chlorklösungsmittel zur Reinigung verwenden.

Batterie ersetzen (siehe Abb. 4)

⚠ Warnung

Zur Vermeidung von Stromschlag bzw. Messgerätbeschädigung die Messleitungen des Messgeräts von allen Stromkreisen und dem Messgerät trennen und dann vor Abnehmen der Batteriefachabdeckung das Messgerät ausschalten. Das Ersetzen von Batterien muss in einer sauberen Umgebung und mit angemessenen Vorkehrungen zur Vermeidung von Verunreinigung der inneren Komponenten des Messgeräts erfolgen.

1. Die Schraube entfernen und die Batteriefachabdeckung abheben.
2. Die Batterien durch Batterien des gleichen Typs ersetzen (1,5 V AAA/LR3). Polaritätszeichen unter der Batterie beachten.
3. Die Batteriefachabdeckung und die Schraube wieder anbringen.

SPEZIFIKATIONEN

Allgemeine Spezifikationen

Anzeige:	LCD-Anzeige, 3-3/4 Stellen, 4000 Zähler
Aktualisierungsrate:	3 mal pro Sekunde, Nennwert
Polarität:	Automatisch
Stromversorgung:	Standard 1,5 V AAA/LR3 (NEDA 24G oder IEC R03) Batterien (2)
Stromverbrauch:	Typisch 11 mA für ACA/DCA und 2,9 mA für andere Funktionen
Automatische Abschaltzeit:	30 Minuten ohne Bedienung
Stromverbrauch im Ruhemodus:	Typisch 10 μ A für ACDC-100 und 90 μ A für ACDC-100 TRMS
Schwache Batterie:	< ungefähr 2,4 V
Umgebung:	Gebrauch in Gebäuden, Betrieb unterhalb 2000 m
Temperatur / Feuchtigkeit:	
Betrieb:	0 °C bis 40 °C
Relative Luftfeuchtigkeit:	< 80 % RH bei 31 °C linear abnehmend bis 50 % RH bei 40 °C
Lagerung:	-20 °C bis 60 °C bei < 80 % RH
Temperaturkoeffizient:	0,5 x (spezifizierte Genauigkeit)/ °C bei (0 °C bis 18 °C bzw. 28 °C bis 40 °C).
Abtastung:	Mittlere Abtastung für ACDC-100; Echteffektiv für ACDC-100 TRMS
Zangenbacken:	DC 1000 A oder AC 800 A eff. kontinuierlich
+ und COM Anschlüsse (alle Funktionen):	600 V DC/V AC eff.
Backenöffnung:	max. 50 mm
Abmessungen:	227 x 78 x 40 mm
Gewicht:	290 g

Sicherheit LVD: Erfüllt EN60101-1:2001; EN61010-2-032(2002), Kategorie III- 600 Volt AC und DC; Verschmutzungsgrad: 2; Klasse 2

CEEMV: Dieses Produkt erfüllt die Anforderungen der folgenden EU-Richtlinien: 89/336/EEC (Elektromagnetische Verträglichkeit) und 73/23/EEC (Niederspannung) mit dem Zusatz 93/68/EEC (CE-Kennzeichnung). Elektrisches Rauschen oder intensive elektromagnetische Felder in der Nähe des Geräts können jedoch den Messschaltkreis stören. Messgeräte reagieren auch auf unerwünschte Impulse/Signale, die unter Umständen im Messschaltkreis vorkommen. Die Benutzer müssen die nötige Sorgfalt walten lassen und geeignete Vorkehrungen treffen, um irreführende Ergebnisse bei Messungen zu vermeiden, wenn elektronische Störeinflüsse vorhanden sind.

Elektrisch (23 °C ± 5 °C) < 75 % RH

Gleichspannung

BEREICH	Genauigkeit
400,0 mV	± (0,3 % + 3 Stellen)
4,000 V, 40,00 V, 400,0 V	± (0,5 % + 3 Stellen)
600 V	± (1,0 % + 4 Stellen)

Auflösung: 0,1 mV in 400 mV Bereich

NMRR: > 50 dB bei 50/60 Hz

CMRR : > 20 dB bei DC, 50/60 Hz, $R_s = 1 \text{ k}\Omega$

Eingangsimpedanz: 10 M Ω , 30 pF nominal (1000 M Ω für 400,0 mV Bereich)

Max. Eingang: 600 V DC/V AC eff.

Wechselspannung

BEREICH	Frequenz	Genauigkeit
400,0 mV ¹⁾	50 Hz bis 500 Hz	± (4,0 % + 4 Stellen)
4,000 V, 40,00 V, 400,0 V	50 Hz bis 60 Hz	± (1,0 % + 4 Stellen)
4,000 V, 40,00 V, 400,0 V	60 Hz bis 500 Hz	± (1,5 % + 4 Stellen)
600 V	50 Hz bis 500 Hz	± (2,0 % + 4 Stellen)

Auflösung: 0,1 mV in 400 mV Bereich

CMRR : > 60 dB bei DC bis 60 Hz, $R_s = 1 \text{ k}\Omega$

Eingangsimpedanz: 10 M Ω , 30 pF nominal

Spitzenfaktorfehler (ACDC-100 TRMS): < 1,6: bei Vollausschlag; < 3,2: bei Halbausschlag

Max. Eingang: 600 V DC/V AC eff.

¹⁾ Manuelle Auswahl über RANGE-Taste, spezifiziert von AC 40 mV (AC 60 mV für ACDC-100 TRMS) und höher

Widerstand

BEREICH	Genauigkeit
400,0 Ω	± (0,8 % + 6 Stellen)
4,000 k Ω , 40,00 k Ω , 400,0 k Ω	± (0,6 % + 4 Stellen)
4,000 M Ω	± (1,0 % + 4 Stellen)
40,00 M Ω	± (2,0 % + 4 Stellen)

Auflösung: 0,1 Ω in 400 Ω Bereich

Leerlaufspannung: 0,4 V DC typisch

Kontinuitätsprüfung

Leerlaufspannung: 0,4 V DC typisch

Bereich: 400,0 Ω

Genauigkeit: ± (1,5 % + 6 Stellen)

Akustische Schwelle: zwischen 10 Ω und 120 Ω

Diodenprüfung

Leerlaufspannung: < 1,6 V DC

Prüfstrom (typisch): 0,4 mA

Kapazität

BEREICH ¹⁾	Genauigkeit ^{2) 3)}
500,0 nF, 5,000 µF, 50,00 µF, 500,0 µF, 3000 µF	± (3,5 % + 6 Stellen)

Auflösung: 0,1 nF in 500,0 nF Bereich

¹⁾ Genauigkeit für zusätzlichen 50,00 nF Bereich ist nicht spezifiziert

²⁾ Genauigkeiten mit Filmkondensator oder besser

³⁾ Spezifiziert mit Batteriespannung oberhalb 2,8 V (ungefähr 50 % geladene Batterie). Genauigkeit nimmt graduell ab bis 12 % bei einem Spannungswert von ungefähr 2,4 V für schwache Batterie.

DC-Strom (Zange)

BEREICH	Genauigkeit ^{1) 2)}
0,0 A bis 400,0 A	± (1,5 % + 4 Stellen)
400 A bis 800 A	± (1,5 % + 4 Stellen)
800 A bis 900 A	± (2,0 % + 4 Stellen)
900 A bis 1000 A	± (5,0 % + 30 Stellen)

Max. Strom: 1000 A kontinuierlich

Auflösung: 0,1 A in 400 A Bereich

¹⁾ Induzierter Fehler durch daneben liegenden stromführenden Leiter: < 0,01 A/A

²⁾ Vor Messungen zur Gewährleistung der Genauigkeit den Nullmodus muss zur Nullung des Geräts verwenden.

ACA-Strom (Zange)

BEREICH	Frequenz	Genauigkeit ^{1) 2)}
400,0 A	5 Hz bis 40 Hz	± (2,0 % + 5 Stellen) ³⁾
400,0 A	40 Hz bis 200 Hz	± (1,5 % + 5 Stellen)
< 50 A ⁴⁾	200 Hz bis 400 Hz	± (1,5 % + 5 Stellen)
< 50 A ⁴⁾	400 Hz bis 1 kHz	± (2,0 % + 5 Stellen)
400 A bis 600 A	5 Hz bis 40 Hz	± (2,0 % + 5 Stellen) ³⁾
400 A bis 600 A	40 Hz bis 100 Hz	± (1,5 % + 4 Stellen)
600 A bis 800 A	5 Hz bis 60 Hz	± (5,0 % + 30 Stellen)

Max. Strom: 800 A eff. kontinuierlich

Auflösung: 0,1 A in 400 A Bereich

¹⁾ Induzierter Fehler durch daneben liegenden stromführenden Leiter: < 0,01 A/A

²⁾ Spitzenfaktor (ACDC-100 TRMS): < 1,6: bei Vollausschlag; < 3,2: bei Halbausschlag

³⁾ ± (4,0 % + 5 Stellen) für ACDC-100 TRMS

⁴⁾ Genauigkeit ist spezifiziert bei < 50 A in dieser Frequenzbandbreite (wegen beschränkter Kalibrator-Ausgabe für Tests)

ACDC-100-F02

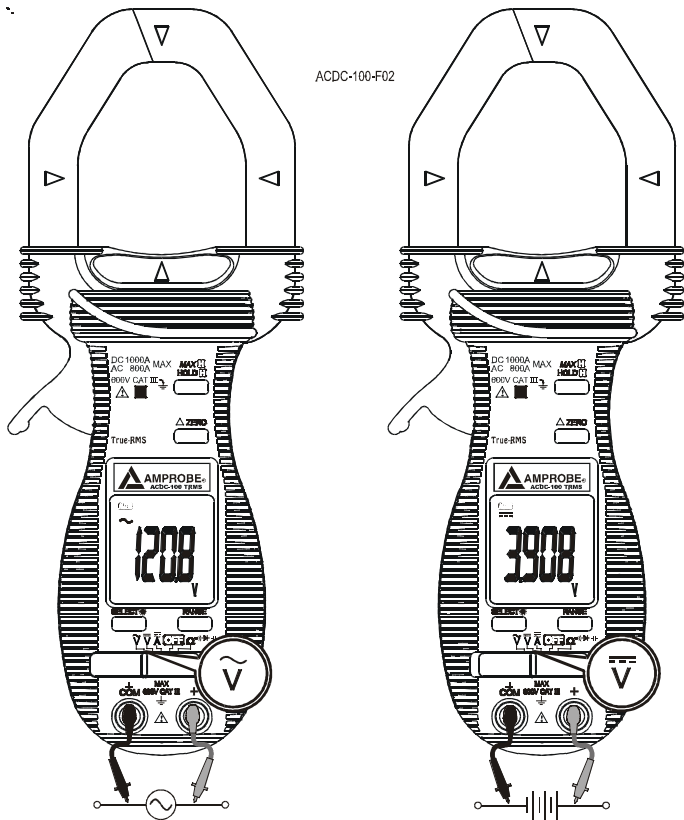


Abbildung 1. Spannungsfunktionen DC und AC

ACDC-100-F03

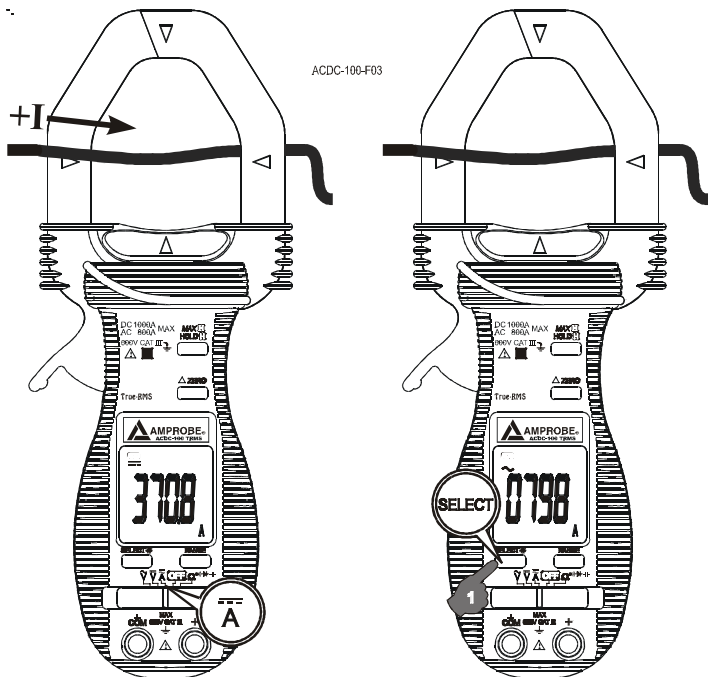


Abbildung 2. Stromzangenfunktionen ACA und DCA

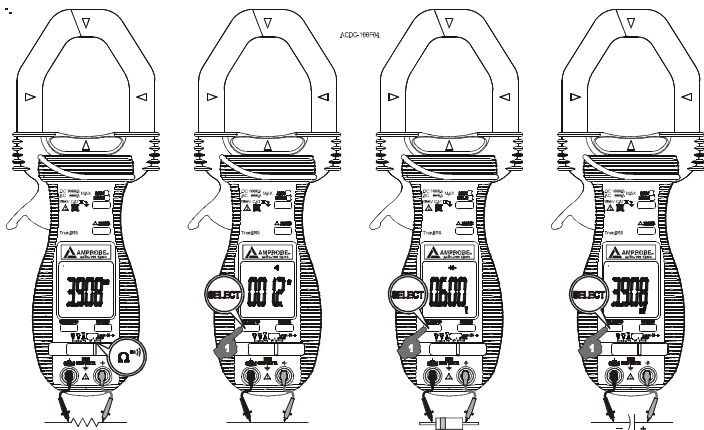


Abbildung 3. Funktionen Widerstand, Kontinuität, Kapazität und Diode

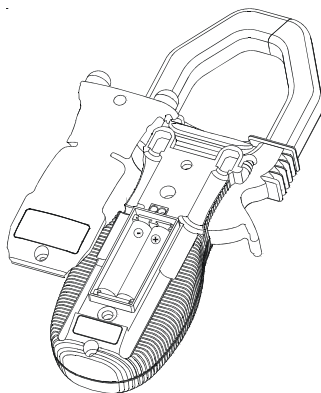


Abbildung 4. Batterie ersetzen



ACDC-100 TRMS ACDC-100

Serie di multimetri a pinza
versatili c.a./c.c.

Manuale d'Uso

ACDC100_Rev002
© 2010 Amprobe Test Tools.
Tutti i diritti riservati.

Garanzia limitata e limitazione di responsabilità

Questo prodotto Amprobe sarà esente da difetti di materiale e fabbricazione per un anno a decorrere dalla data di acquisto. Sono esclusi da questa garanzia i fusibili, le pile monouso e i danni causati da incidenti, negligenza, uso improprio, alterazione, contaminazione o condizioni anomale di funzionamento o manipolazione. I rivenditori non sono autorizzati a offrire nessun'altra garanzia a nome della Amprobe. Per richiedere un intervento durante il periodo di garanzia, restituire il prodotto, allegando la ricevuta di acquisto, a un centro di assistenza autorizzato Amprobe Test Tools oppure a un rivenditore o distributore Amprobe locale. Per ulteriori informazioni vedere la sezione Riparazioni. QUESTA GARANZIA È IL SOLO RICORSO A DISPOSIZIONE DELL'ACQUIRENTE E SOSTITUISCE QUALSIASI ALTRA GARANZIA, ESPRESSA, IMPLICITA O PREVISTA DALLA LEGGE, COMPRESA, MA NON A TITOLO ESCLUSIVO, QUALSIASI GARANZIA IMPLICITA DI COMMERCIALITÀ O DI IDONEITÀ PER SCOPI PARTICOLARI. IL PRODUTTORE NON SARÀ RESPONSABILE DI DANNI O PERDITE SPECIALI, INDIRECTI O ACCIDENTALI, DERIVANTI DA QUALSIASI CAUSA O TEORIA. Poiché alcuni stati o Paesi non permettono l'esclusione o la limitazione di una garanzia implicita o di danni accidentali o indiretti, questa limitazione di responsabilità potrebbe non riguardare l'acquirente.

Riparazioni

A tutti gli strumenti di misura restituiti per interventi in garanzia o non coperti dalla garanzia, oppure per la taratura, devono essere allegate le seguenti informazioni: il proprio nome e quello dell'azienda, indirizzo, numero telefonico e ricevuta di acquisto. Allegare anche una breve descrizione del problema o dell'intervento richiesto e i cavi. Gli importi dovuti per sostituzioni o riparazioni non coperte dalla garanzia vanno versati tramite assegno, vaglia bancario, carta di credito con data di scadenza, oppure ordine di acquisto all'ordine di Amprobe® Test Tools.

Sostituzioni e riparazioni in garanzia – Tutti i Paesi

Si prega di leggere la garanzia e di controllare le pile prima di richiedere una riparazione. Durante il periodo di garanzia, si può restituire uno strumento difettoso al rivenditore Amprobe® Test Tools per ricevere un prodotto identico o analogo. La sezione "Where to Buy" del sito www.amprobe.com contiene un elenco dei distributori più vicini. Negli Stati Uniti e nel Canada gli strumenti da sostituire o riparare in garanzia possono essere inviati anche a un centro di assistenza Amprobe® Test Tools, agli indirizzi seguenti.

Sostituzioni e riparazioni non coperte dalla garanzia – U.S.A. e Canada

Per riparazioni non coperte dalla garanzia, negli Stati Uniti e nel Canada, lo strumento deve essere inviato a un centro di assistenza Amprobe® Test Tools. Rivolgersi alla Amprobe® Test Tools o al rivenditore per informazioni sui costi delle riparazioni e sostituzioni.

U.S.A.

Amprobe Test Tools
Everett, WA 98203, U.S.A.
Tel.: 877-AMPROBE (877 267 7623)

Canada

Amprobe Test Tools
Mississauga, ON L4Z 1X9 Canada
Tel.: +1 905 890 7600

Sostituzioni e riparazioni non coperte dalla garanzia – Europa

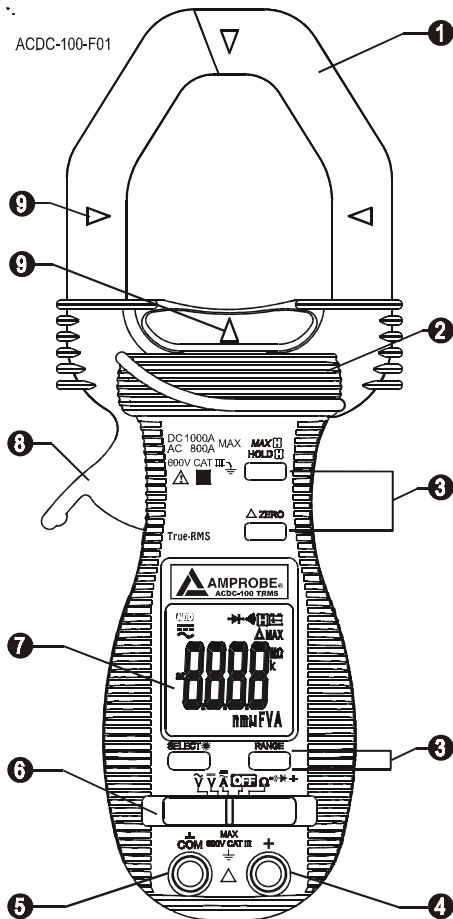
Gli strumenti acquistati in Europa e non coperti dalla garanzia possono essere sostituiti dal rivenditore Amprobe® Test Tools per un importo nominale. La sezione "Where to Buy" del sito www.amprobe.com contiene un elenco dei distributori più vicini.

Recapito postale europeo*

Amprobe® Test Tools Europe
In den Engematten 14
79286 Glottertal, Germania
Tel.: +49 (0) 7684 8009 – 0

* (Solo per corrispondenza – Non rivolgersi a questo indirizzo per riparazioni o sostituzioni. Si pregano i clienti europei di rivolgersi al proprio rivenditore.)


ACDC-100-F01










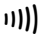





- 1** Pinza a effetto Hall per il rilevamento di campi elettrici in c.a. e c.c.
- 2** Nervature indicanti il limite di prossimità alla pinza in sicurezza durante le misure di corrente
- 3** Pulsanti per funzioni speciali
- 4** Connettore di ingresso per tutte le funzioni ECCEPTE le misure non invasive di correnti alternate e continue
- 5** Connettore di ingresso comune (riferimento di massa) per tutte le funzioni ECCEPTE le misure non invasive di correnti alternate e continue
- 6** Selettore a cursore di accensione/spengimento e selezione funzione
- 7** Display a cristalli liquidi a 3½ cifre (4000 conteggi)
- 8** Pulsante di apertura pinza
- 9** Indicatori centro pinza (punto di massima precisione per misure di corrente alternata e continua)

ACDC-100 TRMS / ACDC-100

Serie di multimetri a pinza versatili c.a./c.c.

Simboli	53
Informazioni sulla sicurezza	53
Disimballaggio e contenuto	54
Introduzione.....	54
Caratteristiche	54
Contrassegni di allineamento	54
Funzioni MAX  / HOLD 	54
HOLD	55
MAX.....	55
Modalità di zero relativo Δ	55
Pulsante SELECT / Retroilluminazione ().....	55
Selezione manuale o automatica della portata.....	55
Funzione di spegnimento automatico	55
Funzionamento	55
Tensione in c.c.	55
Tensione in c.a.....	55
Corrente alternata	56
Corrente continua.....	56
Resistenza.....	56
Continuità	56
Diodi	56
Capacità.....	57
Manutenzione e riparazioni.....	57
Sostituzione delle pile	57
Specifiche.....	58
Specifiche generali.....	58
Dati elettrici	59

SIMBOLI

	Pila		Consultare il manuale
	Isolamento doppio		Alta tensione
	Corrente continua		Messa a terra
	Corrente alternata		Segnalazione acustica
	Conforme alle norme australiane di pertinenza		Conforme alle direttive UE
	Non smaltire questo prodotto assieme ad altri rifiuti solidi non differenziati.		Underwriters Laboratories [Nota: per Canada e Stati Uniti]
	È permessa l'applicazione su conduttori sotto tensione pericolosi e la rimozione dagli stessi.		

INFORMAZIONI SULLA SICUREZZA

- I multimetri digitali a pinza serie ACDC-100 sono a norma EN61010-1:2001; EN61010-2-032:2002; CAT III 600 V, classe 2 e livello di inquinamento 2.
- Questo strumento ha conseguito la certificazione EN61010-1 relativamente agli impianti di Categoria III (600 V). Si suggerisce di usarlo su impianti fissi e di distribuzione dell'energia elettrica, nonché su impianti meno complessi, ma non per misure su linee di alimentazione principale, linee aeree o sistemi di cavi.
- Non superare né i limiti di sovraccarico massimo per ciascuna funzione (vedere la sezione Specifiche) né i limiti indicati sullo strumento stesso. Mai applicare più di 600 V c.c. o 600 V c.a. (valore efficace) fra il cavo di misura e la massa di terra.

Avvertenze e precauzioni

- Prima e dopo misure di alte tensioni, provare la funzione di misure di tensione su una sorgente nota, come una tensione di linea, per accertarsi che il multimetro funzioni correttamente.
- Scollegare i cavi di misura dai punti di misura prima di cambiare funzione sul multimetro.
- Prima di ogni uso ispezionare il multimetro, i cavi di misura e gli accessori. Non usare alcun componente danneggiato.
- Non collegare mai sé stessi al potenziale di terra quando si eseguono misure. Non toccare gli elementi di un circuito esposti o i puntali delle sonde di test.
- Non usare lo strumento in un'atmosfera esplosiva.
- Per ridurre il rischio di incendio o scosse elettriche, non esporre il prodotto alla pioggia o all'umidità.
- Il multimetro va adoperato solo in locali chiusi. Per prevenire le scosse elettriche, osservare le precauzioni appropriate quando si lavora con tensioni maggiori di 60 V a corrente continua o 30 V (valore efficace) a corrente alternata. Questi livelli di tensione rappresentano un possibile rischio di folgorazione per gli utenti.

- Prima e dopo misure di alte tensioni, provare la funzione di misure di tensione su una sorgente nota, come una tensione di linea, per accertarsi che il multimetro funzioni correttamente.
- Tenere le mani o le dita dietro le apposite nervature, che indicano il limite di prossimità in sicurezza al multimetro e ai cavi di misura durante le misure.
- Prima di usare lo strumento ispezionare i cavi di misura, i connettori e le sonde per rilevare eventuali danni all'isolamento o metallo esposto. Se si riscontrano difetti, rimediarevi immediatamente.
- Il multimetro è concepito per l'uso su conduttori sotto tensione non isolati. Nelle situazioni in cui i componenti sotto tensione sono facilmente accessibili, indossare dispositivi di protezione personale.
- Procedere con estrema cautela quando: si eseguono misure di tensioni > 20 V o di correnti > 10 mA su linee di alimentazione in corrente alternata con carichi induttivi o durante temporali, misure di corrente se il fusibile è intervenuto in un circuito con tensione a circuito aperto > 1000 V, e durante la manutenzione di apparecchi con tubi a raggi catodici (CRT).
- Prima di aprire l'involucro per sostituire le pile, scollegare i cavi di misura.
- Prima di eseguire una misura di resistenza o di capacità oppure una prova di continuità o di un diodo, scollegare l'alimentazione dal circuito e fare scaricare tutti i condensatori ad alta tensione.
- Per evitare errori di lettura, che potrebbero comportare il rischio di folgorazione e altri infortuni, sostituire le pile non appena si visualizza l'indicatore di pila scarica (🔋).

DISIMBALLAGGIO E CONTENUTO

La confezione deve contenere:

- 1 multimetro ACDC-100 o ACDC-100 TRMS
- 1 set di cavi di misura
- 2 pile ministilo (AAA) da 1,5 V (installate)
- 1 manuale d'Uso
- 1 custodia da trasporto

Se un componente è danneggiato o mancante, restituire immediatamente l'intera confezione al rivenditore per ottenerne una di ricambio.

INTRODUZIONE


I multimetri a pinza ACDC-100 e ACDC-100 TRMS sono misuratori da 1000 A/600 V con apertura della pinza di 50 mm, per applicazioni industriali. Eseguono misure su conduttori di grandi dimensioni e misure di corrente di spunto oltre che tensione in c.c. e c.a., corrente continua e alternata, resistenza e prove di continuità e di diodi.

CARATTERISTICHE

Contrassegni di allineamento (Figura 1)

Racchiudere il conduttore con la pinza quanto più possibile in corrispondenza dei segni su di essa, per ottenere la massima precisione della misura.

Funzioni MAX / HOLD

La funzione HOLD ferma la lettura sul display quando si preme il pulsante . La funzione MAX confronta e visualizza il valore massimo misurato in tempi brevissimi, sino a 30 ms, con possibilità di impiego della modalità di selezione automatica della portata.

HOLD

Premere brevemente il pulsante **HOLD** per attivare questa funzione per tutte le misure. Per disattivare la funzione premere di nuovo il pulsante **HOLD**.

MAX

Tenendo premuto il pulsante **HOLD** per almeno un secondo si attiva la funzione **MAX HOLD** per le modalità di misure di tensione in c.c. e c.a., e corrente alternata. Per disattivare la funzione **MAX HOLD**, tenere premuto il pulsante **HOLD** per almeno un secondo.

Modalità di zero relativo Δ

La modalità di zero relativo permette di applicare la lettura visualizzata come offset alle successive misure dello strumento. Il display visualizza quindi le letture in relazione al valore di riferimento memorizzato. In altre parole: valore visualizzato = lettura - valore memorizzato. Premendo brevemente il pulsante si attiva la modalità di zero relativo.

Pulsante SELECT / Retroilluminazione (☼)

Premere questo pulsante per più di 1 secondo per attivare o disattivare la retroilluminazione.

Premerlo brevemente per scorrere una dopo l'altra le funzioni $A\approx$ e Ω selezionate manualmente:

$A\approx \rightarrow A\sim$ e $\Omega \rightarrow \text{||||} \rightarrow \text{+} \rightarrow \text{-}$

Selezione manuale o automatica della portata

Premere brevemente il pulsante **RANGE** per selezionare manualmente la portata. La dicitura **AUTO** sul display si spegne. Premerlo di nuovo brevemente per visualizzare le portate una alla volta. Tenerlo premuto per almeno un secondo per riprendere la selezione automatica della portata.

Funzione di spegnimento automatico

Il multimetro si spegne automaticamente dopo circa 30 minuti di inattività.

Per riaccenderlo, portare il selettore nella posizione OFF e poi nella posizione di una delle funzioni di misura.

Per disattivare la funzione di spegnimento automatico, premere e mantenere premuto il pulsante **HOLD** mentre si sposta il selettore da OFF alla posizione della funzione di misura desiderata.

FUNZIONAMENTO

Tensione in c.c. (Figura 1)

1. Portare il selettore nella posizione $V\approx$.
2. Collegare i cavi di misura: quello rosso al terminale **+**, quello nero al terminale **COM**.
3. Collegare i puntali ai punti di misura del circuito.
4. Leggere la misura sul display e, se necessario, correggere l'eventuale condizione di sovraccarico (**OL**).

Tensione in c.a. (Figura 1)

1. Portare il selettore nella posizione $V\sim$.
2. Collegare i cavi di misura: quello rosso al terminale **+**, quello nero al terminale **COM**.
3. Collegare i puntali ai punti di misura del circuito.
4. Leggere la misura sul display e, se necessario, correggere l'eventuale condizione di sovraccarico (**OL**).

Corrente alternata (Figura 2)

1. Portare il selettore nella posizione $A\tilde{~}$.
2. Selezionare la misura di corrente alternata premendo il pulsante SELECT.
3. Aprire la pinza, precaricata a molla, premendo l'apposito pulsante sul lato sinistro dello strumento.
4. Posizionare la pinza intorno al conduttore di cui si vuole misurare la corrente e chiuderla rilasciando il pulsante. Accertarsi che sia completamente chiusa. La pinza deve racchiudere un solo conduttore. Se racchiude due o più conduttori in cui c'è corrente, la lettura è FALSA.
5. Leggere la misura sul display e se necessario correggere l'eventuale condizione di sovraccarico (OL).

Corrente continua (Figura 2)

1. Portare il selettore nella posizione $A\bar{~}$.
2. Selezionare la misura di corrente continua premendo il pulsante SELECT.
3. Aprire la pinza, precaricata a molla, premendo l'apposito pulsante sul lato sinistro dello strumento.
4. Posizionare la pinza intorno al conduttore di cui si vuole misurare la corrente e chiuderla rilasciando il pulsante. Accertarsi che sia completamente chiusa. La pinza deve racchiudere un solo conduttore. Se racchiude due o più conduttori in cui c'è corrente, la lettura è FALSA.
5. Leggere la misura sul display e se necessario correggere l'eventuale condizione di sovraccarico (OL).

ATTENZIONE

L'uso della funzione misure di resistenza o capacità, prove di diodi o di continuità su un circuito sotto tensione produce risultati sbagliati e può danneggiare lo strumento. In molti casi il componente deve essere scollegato dal circuito perché si possa eseguire una misura precisa.

Resistenza (Figura 3)

1. Portare il selettore nella posizione Ω .
2. Collegare i cavi di misura: quello rosso al terminale +, quello nero al terminale COM.
3. Scollegare l'alimentazione dal circuito su cui si eseguirà la misura.
4. Scaricare tutti i condensatori che possano influire sulla lettura.
5. Collegare i puntali ai capi della resistenza.
6. Leggere l'indicazione sul display. Se compare OL alla portata più alta, significa che la resistenza non è misurabile perché è troppo grande oppure che il circuito è aperto.

Continuità (Figura 3)

1. Portare il selettore nella posizione Ω e premere il pulsante SELECT finché non si visualizza uUU .
2. Collegare i cavi di misura: quello rosso al terminale +, quello nero al terminale COM.
3. Scollegare l'alimentazione dal circuito su cui si eseguirà la misura.
4. Scaricare tutti i condensatori che possano influire sulla lettura.
5. Collegare i puntali ai capi della resistenza o ai due punti di misura.
6. Se esiste continuità (resistenza $> 10 \Omega$ e $< 120 \Omega$), viene emesso un segnale acustico.

Diodi (Figura 3)

1. Portare il selettore nella posizione Ω e premere il pulsante SELECT finché non si visualizza \rightarrow .
2. Collegare i cavi di misura: quello rosso al terminale +, quello nero al terminale COM.

3. Scollegare l'alimentazione dal circuito su cui si eseguirà la misura.
4. Scollegare almeno un terminale del diodo dal circuito.
5. Collegare i puntali ai capi del diodo, notando la polarità.
6. Leggere l'indicazione sul display. Un diodo in buone condizioni ha una caduta di tensione diretta uguale a circa 0,6 V, mentre un diodo aperto o polarizzato inversamente genera la lettura .0L.

Capacità (Figura 3)

1. Portare il selettore nella posizione Ω e premere il pulsante SELECT finché non si visualizza H .
2. Collegare i cavi di misura: quello rosso al terminale +, quello nero al terminale COM.
3. Scollegare l'alimentazione dal circuito su cui si eseguirà la misura.
4. Scaricare il condensatore usando un resistore da 100 k Ω .
5. Scollegare almeno un terminale del condensatore dal circuito.
6. Collegare i puntali ai capi del condensatore.
7. Leggere l'indicazione sul display.
8. Durante la misura di basse capacità, dell'ordine dei picofarad (pF), si può utilizzare la modalità di zero relativo per eliminare la capacità parassita dei cavi e dei circuiti di protezione interni del multimetro.

MANUTENZIONE E RIPARAZIONI

Se lo strumento non sembra funzionare bene, procedere come segue per individuare la causa del problema.

1. Controllare le pile.
2. Rileggere le istruzioni per l'uso, per accertarsi di non avere compiuto operazioni sbagliate.
3. Ispezionare e verificare i cavi di misura per rilevare eventuali connessioni interrotte o intermittenti.

Fatta eccezione per la sostituzione delle pile e delle sonde di prova, qualsiasi intervento di manutenzione o riparazione dello strumento deve essere eseguito esclusivamente presso un centro di assistenza autorizzato dalla fabbrica o da altro personale di manutenzione qualificato. Il pannello anteriore e l'involucro possono essere puliti con una soluzione di detergente neutro e acqua. Applicare la soluzione in quantità moderata con un panno morbido e lasciare asciugare completamente prima dell'uso. Non usare idrocarburi aromatici o solventi clorurati per la pulizia.

Sostituzione delle pile (Figura 4)

Avvertenza

Per prevenire scosse elettriche o danni al multimetro, prima di togliere il coperchio dello scomparto delle pile scollegare i cavi di misura da qualsiasi circuito e dal multimetro e poi spegnere quest'ultimo. La sostituzione delle pile deve essere eseguita in un ambiente pulito e con la cura appropriata per evitare di contaminare i componenti interni del multimetro.

1. Togliere la vite e sollevare il coperchio dello scomparto delle pile.
2. Sostituire le pile con pile nuove dello stesso tipo (1,5 V AAA). Osservare le indicazioni di polarità sotto le pile.
3. Riposizionare il coperchio e la vite.

SPECIFICHE

Specifiche generali

Display:	Display a cristalli liquidi a 3¼ cifre (4000 conteggi)
Frequenza di aggiornamento:	3 volte al secondo, nominale
Polarità:	Automatica
Alimentazione:	2 pile ministilo standard (AAA) da 1,5 V (NEDA 24G o IEC R03)
Consumo di corrente:	11 mA (valore tipico) per misure di c.a./c.c.; 2,9 mA per le altre funzioni
Temporizzazione per spegnimento automatico:	Inattivo per 30 minuti
Consumo di potenza dopo lo spegnimento automatico:	10 µA (valore tipico) per il modello ACDC-100; 90 µA per il modello ACDC-100 TRMS
Pila scarica:	Meno di 2,4 V circa
Ambiente:	Funzionamento in locali chiusi, al di sotto di 2000 m
Temperatura e umidità:	
Esercizio:	Da 0 °C a 40 °C
Umidità relativa:	< 80% di umidità relativa a 31 °C, con riduzione lineare fino al 50% di umidità relativa a 40 °C
Immagazzinaggio:	Da -20 °C a 60 °C; < 80% di umidità relativa
Coefficiente di temperatura:	0,5 x (precisione specificata) / °C a temperature da 0 °C a 18 °C e da 28 °C a 40 °C
Sensibilità:	Valore medio per il modello ACDC-100; vero valore efficace per il modello ACDC-100 TRMS
Pinza amperometrica:	1000 A per c.c. o 800 A (valore efficace) per c.a. continua
Terminali + e COM (tutte le funzioni):	600 V c.c. o c.a. (valore efficace)
Apertura della pinza:	50 mm max
Dimensioni:	227 x 78 x 40 mm
Peso:	290 g
Sicurezza (Direttiva basse tensioni):	a norma EN61011-1:2001; EN61010-2-032(2002), Categoria III-600 V c.a. e c.c.; grado di inquinamento: 2; classe 2

CE Compatibilità elettromagnetica – Questo prodotto soddisfa i requisiti delle seguenti direttive della Comunità Europea: 89/336/CEE (compatibilità elettromagnetica) e 73/23/CEE (basse tensioni) modificate dalla direttiva 93/68/CEE (marchio CE). Tuttavia, rumore elettrico o campi elettromagnetici intensi vicino all'apparecchio possono disturbare il circuito di misura. Gli strumenti di misura rispondono anche a segnali indesiderati, eventualmente presenti nel circuito di misura. Gli utenti devono esercitare cautela e prendere le opportune precauzioni per evitare risultati falsi quando si eseguono misure in presenza di interferenze elettroniche.

Dati elettrici (23 °C ± 5 °C) < 75% umidità relativa

Tensione c.c.

PORTATA	Precisione
400,0 mV	± (0,3% + 3 cifre)
4,000 V, 40,00 V, 400,0 V	± (0,5% + 3 cifre)
600 V	± (1,0% + 4 cifre)

Risoluzione: 0,1 mV alla portata 400 mV

NMRR: > 50 dB a 50/60 Hz

CMRR: > 20 dB per c.c., 50/60 Hz, $R_s = 1 \text{ k}\Omega$

Impedenza d'ingresso: 10 M Ω , 30 pF nominali (1000 M Ω alla portata 400,0 mV)

Ingresso massimo: 600 V c.c. o c.a. (valore efficace)

Tensione in corrente alternata

PORTATA	Frequenza	Precisione
400,0 mV ¹⁾	Da 50 Hz a 500 Hz	± (4,0% + 4 cifre)
4,000 V, 40,00 V, 400,0 V	Da 50 Hz a 60 Hz	± (1,0% + 4 cifre)
4,000 V, 40,00 V, 400,0 V	Da 60 Hz a 500 Hz	± (1,5% + 4 cifre)
600 V	Da 50 Hz a 500 Hz	± (2,0% + 4 cifre)

Risoluzione: 0,1 mV alla portata 400 mV

CMRR: > 60 dB per c.c. a 60 Hz, $R_s = 1 \text{ k}\Omega$

Impedenza d'ingresso: 10 M Ω , 30 pF nominali

Fattore di cresta (ACDC-100 TRMS): < 1,6 a fondo scala; < 3,2 a metà scala

Ingresso massimo: 600 V c.c. o c.a. (valore efficace)

¹⁾Selezione manuale della portata e a partire da 40 mV c.a. (60 mV c.a. per il modello ACDC-100 TRMS)

Resistenza

PORTATA	Precisione
400,0 Ω	± (0,8% + 6 cifre)
4,000 k Ω , 40,00 k Ω , 400,0 k Ω	± (0,6% + 4 cifre)
4,000 M Ω	± (1,0% + 4 cifre)
40,00 M Ω	± (2,0% + 4 cifre)

Risoluzione: 0,1 Ω alla portata 400 Ω

Tensione di circuito aperto: 0,4 V c.c. tipica

Prove di continuità

Tensione di circuito aperto: 0,4 V c.c. tipica

Portata: 400,0 Ω

Precisione: ± (1,5% + 6 cifre)

Soglia segnale acustico: Fra 10 Ω e 120 Ω

Prove dei diodi

Tensione di circuito aperto: < 1,6 V c.c.

Prova di corrente (tipica): 0,4 mA

Misure di capacità

PORTATA ¹⁾	Precisione ^{2) 3)}
500,0 nF, 5,000 µF, 50,00 µF, 500,0 µF, 3000 µF	± (3,5% + 6 cifre)

Risoluzione: 0,1 nF alla portata 500,0 nF

¹⁾ Non specificata ulteriore precisione alla portata 50,00 nF

²⁾ Precisioni con condensatore a film o di qualità superiore

³⁾ Specificata con tensione della pila maggiore di 2,8 V (circa metà del livello massimo di carica). La precisione diminuisce gradualmente al 12% con tensione di segnalazione pila scarica di circa 2,4 V.

Misure di corrente continua con la pinza

PORTATA	Precisione ^{1) 2)}
Da 0,0 A a 400,0 A	± (1,5% + 4 cifre)
Da 400 A a 800 A	± (1,5% + 4 cifre)
Da 800 A a 900 A	± (2,0% + 4 cifre)
Da 900 A a 1000 A	± (5,0% + 30 cifre)

Corrente max: 1000 A continua

Risoluzione: 0,1 A alla portata 400 A

¹⁾ Errore indotto da conduttori adiacenti percorsi da corrente: < 0,01 A/A

²⁾ Prima di effettuare le misure, per garantirne la precisione è necessario azzerare lo strumento.

Misure di corrente alternata con la pinza

PORTATA	Frequenza	Precisione ^{1) 2)}
400,0 A	Da 5 Hz a 40 Hz	± (2,0% + 5 cifre) ³⁾
400,0 A	Da 40 Hz a 200 Hz	± (1,5% + 5 cifre)
< 50 A ⁴⁾	Da 200 Hz a 400 Hz	± (1,5% + 5 cifre)
< 50 A ⁴⁾	Da 400 Hz a 1 kHz	± (2,0% + 5 cifre)
Da 400 A a 600 A	Da 5 Hz a 40 Hz	± (2,0% + 5 cifre) ³⁾
Da 400 A a 600 A	Da 40 Hz a 100 Hz	± (1,5% + 4 cifre)
Da 600 A a 800 A	Da 5 Hz a 60 Hz	± (5,0% + 30 cifre)

Corrente max: 800 A (valore efficace) continua

Risoluzione: 0,1 A alla portata 400 A

¹⁾ Errore indotto da conduttori adiacenti percorsi da corrente: < 0,01 A/A

²⁾ Fattore di cresta (ACDC-100 TRMS): < 1,6 a fondo scala; < 3,2 a metà scala

³⁾ ± (4,0% + 5 cifre) per il modello ACDC-100 TRMS

⁴⁾ La precisione è specificata a < 50 A in questa larghezza di banda della frequenza a causa delle limitazioni nell'uscita del calibratore ai fini del test

ACDC-100-F02

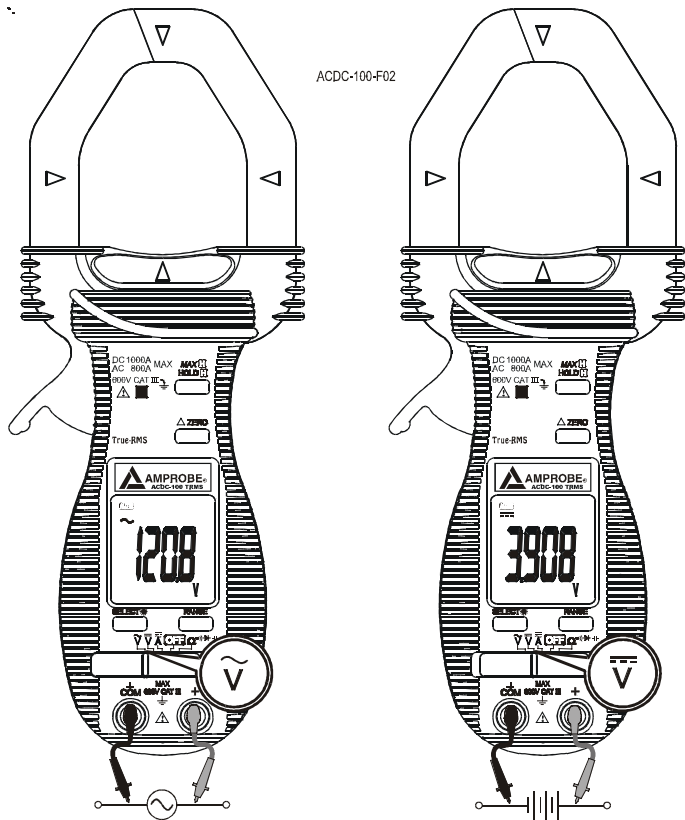


Figura 1. Funzioni di tensione in c.c. e c.a.

ACDC-100-F03

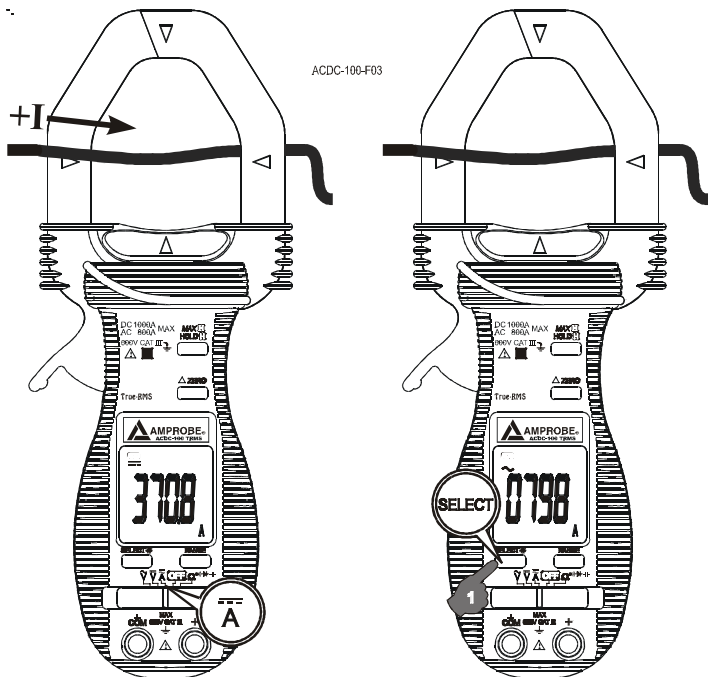


Figura 2. Misure di c.a. e c.c. mediante la pinza amperometrica

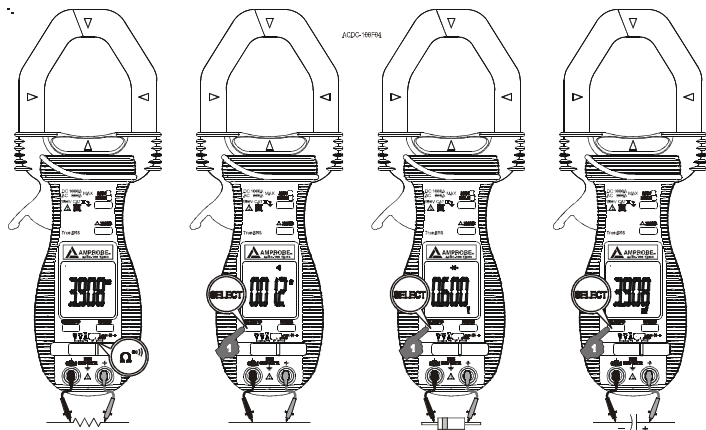


Figura 3. Funzioni di resistenza, continuità, capacità e diodi

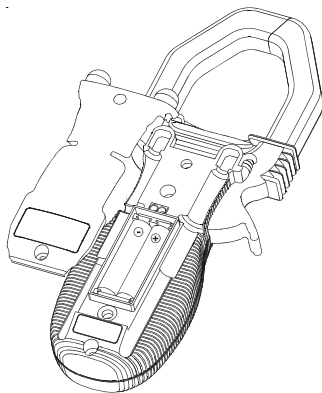


Figura 4. Sostituzione delle pile



ACDC-100 TRMS ACDC-100

Serie de multímetros
versátiles de pinzas CA/CC

Manual de uso

ACDC100_Rev002

© 2010 Amprobe Test Tools.

Reservados todos los derechos.

Garantía limitada y Limitación de responsabilidad

Su producto Amprobe estará libre de defectos de material y mano de obra durante 1 año a partir de la fecha de adquisición. Esta garantía no cubre fusibles, baterías descartables o daños que sean consecuencia de accidentes, negligencia, uso indebido, alteración, contaminación o condiciones anormales de uso o manipulación. Los revendedores no están autorizados a extender ninguna otra garantía en nombre de Amprobe. Para obtener servicio durante el período de garantía, devuelva el producto con un comprobante de compra a un centro de servicio autorizado por Amprobe de equipos de comprobación o a un concesionario o distribuidor de Amprobe. Consulte la sección Reparación para obtener información más detallada. ESTA GARANTÍA CONSTITUYE SU ÚNICO RESARCIMIENTO. LAS DEMÁS GARANTÍAS, TANTO EXPRESAS O IMPLÍCITAS COMO ESTATUTARIAS, INCLUYENDO LAS GARANTÍAS IMPLÍCITAS DE ADECUACIÓN PARA UN PROPOSITO DETERMINADO O COMERCIABILIDAD, QUEDAN POR LA PRESENTE DESCONOCIDAS. EL FABRICANTE NO SERÁ RESPONSABLE DE NINGUN DAÑO O PÉRDIDA, TANTO ESPECIAL COMO INDIRECTO, CONTINGENTE O RESULTANTE QUE SURJA DE CUALQUIER CAUSA O TEORÍA. Debido a que ciertos países o países no permiten la exclusión o limitación de una garantía implícita o de los daños contingentes o resultantes, esta limitación de responsabilidad puede no regir para usted.

Reparación

Todas las herramientas de prueba devueltas para calibración o reparación cubierta o no por la garantía deben estar acompañadas por lo siguiente: su nombre, el nombre de la compañía, la dirección, el número de teléfono y una prueba de compra. Además, incluya una breve descripción del problema o del servicio solicitado y los conductores de prueba del medidor. La reparación fuera de garantía o los cargos de reemplazo deben remitirse en la forma de un cheque, un giro postal, una tarjeta de crédito con fecha de vencimiento o una orden de compra pagadera a Amprobe® Test Tools.

Reparaciones y reemplazos cubiertos por la garantía (todos los países)

Sírvase leer la declaración de garantía y compruebe su batería antes de solicitar la reparación. Durante el período de garantía, cualquier herramienta de comprobación defectuosa puede ser devuelta a su distribuidor de Amprobe® Test Tools para un intercambio por el mismo producto u otro similar. Consulte la sección "Where to Buy" del sitio www.amprobe.com en Internet para obtener una lista de los distribuidores cercanos a usted. Asimismo, las unidades de reparación en garantía y las unidades de reemplazo en los Estados Unidos y Canadá también pueden enviarse al Centro de servicio Amprobe® Test Tools (consulte la dirección más abajo).

Reparaciones y reemplazos no cubiertos por la garantía (Estados Unidos y Canadá)

Las reparaciones fuera de la garantía en los Estados Unidos y Canadá deben enviarse a un Centro de servicio de Amprobe® Test Tools. Llame a Amprobe® Test Tools o pregunte en su punto de compra para conocer las tarifas actuales de reparación y reemplazo.

En Estados Unidos

Amprobe Test Tools
Everett, WA 98203
Tel.: 877-AMPROBE (267-7623)

En Canadá

Amprobe Test Tools
Mississauga, Ontario L4Z 1X9
Tel.: 905-890-7600

Reparaciones y reemplazos no cubiertos por la garantía (Europa)

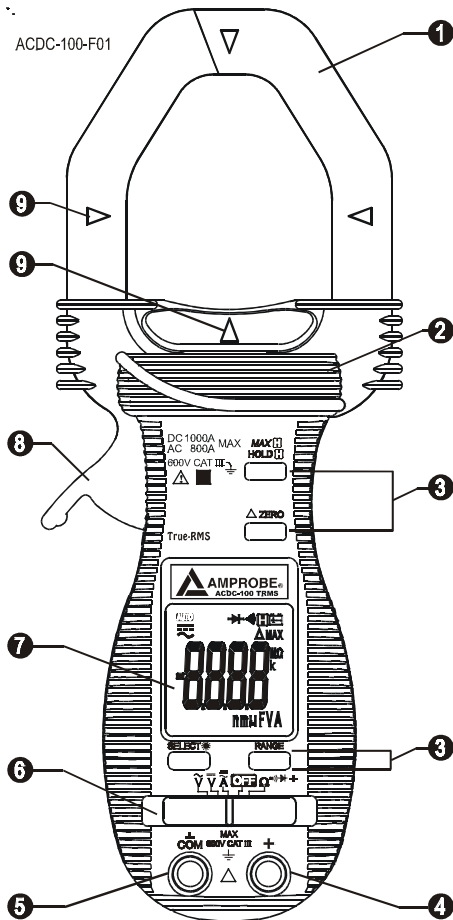
El distribuidor de Amprobe® Test Tools puede reemplazar las unidades vendidas en Europa no cubiertas por la garantía por un costo nominal. Consulte la sección "Where to Buy" del sitio www.amprobe.com en Internet para obtener una lista de los distribuidores cercanos a usted.

Dirección para envío de correspondencia en Europa*

Amprobe® Test Tools Europe
In den Engematten 14
79286 Glotttetal, Alemania
Tel.: +49 (0) 7684 8009 - 0

*(Sólo correspondencia. En esta dirección no se realizan reparaciones ni reemplazos. Los clientes europeos deben ponerse en contacto con su distribuidor).




ACDC-100-F01



- 1 Pinza con efecto Hall para captura de campos eléctricos de corriente CA y CC
- 2 Protector de mano/dedos para indicar los límites de acceso seguro del multímetro durante la medición
- 3 Botones pulsadores para funciones y características especiales
- 4 Toma de entrada para todas las funciones SALVO las funciones de corriente ACA y ACC no invasivas
- 5 Toma de entrada común (referencia de tierra) para todas las funciones SALVO las funciones de corriente ACA y ACC no invasivas
- 6 Selector de interruptor deslizable para encender/apagar el dispositivo y seleccionar una función
- 7 Pantalla LCD de 3-3/4 dígitos y 4.000 recuentos
- 8 Activador de mordaza para abrir la mordaza de la pinza
- 9 Indicadores del centro de la mordaza, donde se especifica la óptima exactitud de ACA y ACC

ACDC-100 TRMS / ACDC-100

Serie de multímetros versátiles de pinzas CA/CC

Símbolos.....	69
Información sobre seguridad	69
Desembalaje y contenido	70
Introducción	70
Características.....	70
Marcas de alineación	70
MAX  / HOLD 	70
HOLD	71
MAX.....	71
△ Modo de cero relativo	71
SELECT / Retroiluminación ()	71
Rango manual o automático	71
Función de apagado automático.....	71
Operación	71
Voltaje CC.....	71
Voltaje CA.....	71
Corriente CA.....	72
Corriente CC.....	72
Resistencia.....	72
Continuidad	72
Diodos.....	72
Capacitancia.....	73
Mantenimiento y reparación.....	73
Reemplazo de la batería	73
Especificaciones	74
Especificaciones generales	74
Eléctrica	75

SÍMBOLOS

	Batería		Consulte el manual
	Aislamiento doble		Tensión peligrosa
	Corriente continua		Conexión a tierra
	Corriente alterna		Señal acústica
	Cumple con las principales normas australianas.		Cumple las directivas de la Unión Europea.
	No se deshaga de este producto utilizando los servicios municipales de recolección de desechos sin clasificar.		Underwriters Laboratories. [Nota: canadiense y estadounidense.]
	Se permite tanto la instalación alrededor de conductores peligrosos con tensión, como su retirada.		

INFORMACIÓN SOBRE SEGURIDAD

- Las pinzas amperimétricas digitales serie ACDC-100 cumplen con EN61010-1:2001; EN61010-2-032:2002; CAT III 600 V, clase 2 y grado de contaminación 2.
- Este instrumento tiene la certificación EN61010-1 para instalaciones de categoría III (600 V). Se recomienda para uso en instalaciones fijas y al nivel de distribución, así como en instalaciones menores, y no para líneas de suministro primario, tendidos de líneas aéreas y sistemas de cable.
- No exceda los límites máximos de sobrecarga por función (consulte las especificaciones) ni los límites indicados en el instrumento. Nunca aplique más de 600 V CC/600 V CA rms entre el conductor de prueba y tierra.

Advertencias y precauciones

- Antes y después de realizar mediciones de voltaje peligroso, compruebe la función de voltaje en una fuente conocida, tal como el voltaje de línea, para determinar el correcto funcionamiento del multímetro.
- Desconecte los conductores de prueba de los puntos de prueba antes de cambiar las funciones del multímetro.
- Antes de utilizar la pinza amperimétrica, examine el instrumento, las puntas de prueba y los accesorios. No lo utilice si existe alguna pieza averiada.
- Asegúrese de no estar conectado a tierra mientras mide. No toque los elementos expuestos de los circuitos ni las puntas de las sondas de prueba.
- No encienda el instrumento en una atmósfera explosiva.
- Para reducir el riesgo de incendio o descarga eléctrica, no exponga este producto a la lluvia o a la humedad.
- El multímetro está destinado únicamente a uso en interiores. Para evitar los riesgos de descarga eléctrica, observe las precauciones correctas de seguridad al trabajar con voltajes de más de 60 V de CC o 30 V de CA rms. Estos niveles de voltaje presentan un potencial peligro de descarga eléctrica al usuario.

- Antes y después de realizar mediciones de voltaje peligroso, compruebe la función de voltaje en una fuente conocida, tal como el voltaje de línea, para determinar el correcto funcionamiento del multímetro.
- Mantenga las manos o los dedos detrás de los protectores correspondientes (del multímetro y de las puntas de prueba) que indican los límites de acceso seguro de la parte sujetada manualmente durante la medición.
- Inspeccione los conductores de prueba, conectores y sondas para determinar si hay aislamiento dañado o metal expuesto antes de utilizar el instrumento. Si se encuentra algún defecto, reemplace de inmediato las piezas correspondientes.
- Este multímetro de pinza está diseñado para aplicar y retirar de alrededor de conductores peligrosos y no aislados, con tensión. Debe utilizarse equipo individual de protección en caso de que pudieran quedar accesibles piezas peligrosas con tensión de la instalación.
- Tenga el máximo cuidado al: medir tensiones > 20 V // corrientes > 10 mA // líneas de alimentación de CA con cargas inductivas // líneas de alimentación de CA durante tormentas eléctricas // corrientes, al quemarse el fusible en circuitos con tensiones de circuito abierto > 1.000 V // reparar equipos con tubos de rayos catódicos (TRC).
- Retire las puntas de prueba antes de abrir la caja para cambiar la batería.
- Antes de comprobar la resistencia, la continuidad, los diodos o la capacitancia desconecte la alimentación eléctrica al circuito y descargue todos los condensadores de alta tensión.
- Para evitar lecturas falsas que podrían tener como consecuencia descargas eléctricas o lesiones personales, reemplace las baterías tan pronto como aparezca el indicador de batería con poca carga (🔋).

DESEMBALAJE Y CONTENIDO

La caja de envío debe incluir

- 1 ACDC-100 o ACDC-100 TRMS
- 1 juego de conductores de prueba
- 2 baterías AAA de 1,5 V (instaladas)
- 1 manual de uso
- 1 estuche de transporte

Si alguno de los elementos estuviera dañado o faltara, devuelva inmediatamente el paquete completo al lugar de compra para hacer un cambio.

INTRODUCCIÓN


Los medidores con pinzas ACDC-100 y ACDC-100 TRMS son medidores de 1.000 A / 600 V, con una apertura de mordazas de 50 mm para aplicaciones industriales. Las funciones incluyen la medición de conductores grandes y corriente de irrupción, además de pruebas de voltaje CA/CC, corriente CA/CC, resistencia, continuidad y diodos.

CARACTERÍSTICAS

Marcas de alineación (consulte la fig. 1)

Coloque el conductor dentro de las mordazas en la intersección de las marcas indicadas, tan próximo como sea posible, para maximizar la exactitud de la lectura.

MAX / HOLD

La función HOLD congela la pantalla cuando se pulsa el botón . La función MAX compara y muestra el valor máximo medido con una rapidez de 30 ms con la capacidad de rango automático.

HOLD

Pulse momentáneamente el botón **HOLD** para alternar el modo de retención para todas las funciones. Para liberar la función **HOLD** momentáneamente, pulse el botón **HOLD**.

MAX

Pulse el botón **HOLD** durante 1 segundo o más para activar la función **MAX HOLD** para las funciones VCC, VCA y ACA. Para liberar la función **MAX HOLD**, pulse el botón **HOLD** durante 1 segundo o más.

△ Modo de cero relativo

El modo de cero relativo permite al usuario compensar las mediciones posteriores del multímetro con la lectura mostrada como valor de referencia. La pantalla ahora mostrará lecturas relativas al valor de referencia almacenado. Es decir, pantalla = lectura – valor almacenado. Al pulsar el botón un instante se activa el modo relativo.

SELECT / Retroiluminación (☾)

Pulse el botón de retroiluminación más de 1 segundo para activar o desactivar la retroiluminación.

Pulse el botón SELECT / Retroiluminación para desplazarse por las opciones de funciones de A_{\sim} y Ω de selección manual.

A_{\sim} → A_{\sim} y Ω → Ω → \rightarrow → \rightarrow

Rango manual o automático

Pulse el botón RANGE un instante para seleccionar el modo de rangos manuales. El símbolo de LCD **AUTO** se apaga. Pulse el botón un instante una vez más para pasar escalonadamente por los rangos. Pulse y mantenga pulsado el botón RANGE durante más de 1 segundo para reanudar el rango automático.

Función de apagado automático

El medidor con pinzas se apaga automáticamente tras unos 30 minutos de inactividad.

Para volver a encenderlo, cambie el elector de funciones a OFF y vuelva a una función de medición.

Para desactivar el apagado automático, mantenga pulsado el botón HOLD al tiempo que mueve el interruptor deslizante desde OFF hasta la función deseada.

OPERACIÓN

Voltaje CC (consulte la fig. 1)

1. Fije el selector de función en V_{\sim} .
2. Conecte los conductores de prueba: el rojo al terminal + y el negro al terminal **COM**.
3. Conecte las sondas de prueba a los puntos de prueba del circuito.
4. Lea la pantalla y, si es necesario, corrija cualquier condición de sobrecarga (**OL**).

Voltaje CA (consulte la fig. 1)

1. Fije el selector de función en V_{\sim} .
2. Conecte los conductores de prueba: el rojo al terminal + y el negro al terminal **COM**.
3. Conecte las sondas de prueba a los puntos de prueba del circuito.
4. Lea la pantalla y, si es necesario, corrija cualquier condición de sobrecarga (**OL**).

Corriente CA (consulte la fig. 2)

1. Fije el selector de la función en la posición $A\approx$.
2. Seleccione la corriente alterna (CA) mediante el botón SELECT.
3. Abra la pinza cargada a resorte oprimiendo la palanca del lado izquierdo del multímetro.
4. Posicione la pinza alrededor de un hilo o conductor y suelte la palanca de la pinza. Asegúrese de que la pinza esté totalmente cerrada. La pinza debe posicionarse únicamente alrededor de un conductor. Si se coloca alrededor de dos o más conductores que transportan corriente, la lectura será FALSA.
5. Lea el valor que aparece en la pantalla y, si es necesario, corrija cualquier condición de sobrecarga (OL).

Corriente CC (consulte la fig. 2)

1. Fije el selector de la función en la posición $A\approx$.
2. Seleccione la corriente continua (CC) mediante el botón SELECT.
3. Abra la pinza cargada a resorte oprimiendo la palanca del lado izquierdo del multímetro.
4. Posicione la pinza alrededor de un hilo o conductor y suelte la palanca de la pinza. Asegúrese de que la pinza esté totalmente cerrada. La pinza debe posicionarse únicamente alrededor de un conductor. Si se coloca alrededor de dos o más conductores que transportan corriente, la lectura será FALSA.
5. Lea el valor que aparece en la pantalla y, si es necesario, corrija cualquier condición de sobrecarga (OL).

PRECAUCIÓN

El uso de las funciones de resistencia, continuidad, diodo o capacitancia en un circuito con tensión producirá resultados falsos y puede ocasionar daños al instrumento. En muchos casos, el componente sospechoso deberá desconectarse del circuito para obtener una lectura exacta de la medición.

Resistencia (consulte la fig. 3)

1. Fije el selector de la función en Ω .
2. Conecte los conductores de prueba: el rojo al terminal + y el negro al terminal COM.
3. Desconecte la alimentación eléctrica al circuito que se va a medir.
4. Descargue todos los condensadores que puedan afectar a la lectura.
5. Conecte las sondas de prueba a través de la resistencia.
6. Compruebe la lectura de la pantalla. Si aparece OL en el rango superior, la resistencia es demasiado grande para medirla con el instrumento o el circuito es un circuito abierto.

Continuidad (consulte la fig. 3)

1. Fije el selector de la función en Ω y pulse el botón SELECT hasta que se muestre |||| en la pantalla.
2. Conecte los conductores de prueba: el rojo al terminal + y el negro al terminal COM.
3. Desconecte la alimentación eléctrica al circuito que se va a medir.
4. Descargue todos los condensadores que puedan afectar a la lectura.
5. Conecte las sondas de prueba a través de la resistencia o los dos puntos de prueba.
6. Escuche el tono que indica continuidad ($> 10 \Omega$ y $< 120 \Omega$).

Diodos (consulte la fig. 3)

1. Fije el selector de la función en Ω y pulse el botón SELECT hasta que se muestre \rightarrow en la pantalla.
2. Conecte los conductores de prueba: el rojo al terminal + y el negro al terminal COM.

3. Desconecte la alimentación eléctrica al circuito que se va a medir.
4. Desconecte del circuito por lo menos un extremo del diodo.
5. Conecte las sondas de prueba a través del diodo, teniendo en cuenta la polaridad.
6. Compruebe la lectura de la pantalla. Un diodo en buen estado de funcionamiento tiene una caída de tensión en sentido directo de 0,6 V, aproximadamente. Un diodo abierto o polarizado de manera inversa presentará una lectura de .0L.

Capacitancia (consulte la fig. 3)

1. Fije el selector de la función en Ω y pulse el botón SELECT hasta que se muestre \rightarrow en la pantalla.
2. Conecte los conductores de prueba: el rojo al terminal + y el negro al terminal COM.
3. Desconecte la alimentación eléctrica al circuito que se va a medir.
4. Descargue el condensador utilizando una resistencia de 100 k Ω .
5. Desconecte del circuito por lo menos un extremo del condensador.
6. Conecte las sondas de prueba a través del condensador.
7. Compruebe la lectura de la pantalla.
8. El modo de cero relativo puede usarse para poner en cero la capacitancia parasítica de los conductores y el circuito de protección interna del multímetro al medir capacitancia baja en el orden del picofaradio (pF).

MANTENIMIENTO Y REPARACIÓN

Si parece que el medidor no funciona bien, realice los pasos siguientes para identificar la causa del problema:

1. Compruebe la batería.
2. Repase las instrucciones de funcionamiento por si hubiera cometido algún error en un procedimiento.
3. Inspeccione los conductores de prueba y compruebe si la conexión está rota o es intermitente.

Excepto cambiar la batería y probar las sondas, cualquier otra reparación del multímetro deberá llevarla a cabo exclusivamente un centro de servicio autorizado por la fábrica u otro personal cualificado para reparación de instrumentos. El panel frontal y la caja pueden limpiarse con una solución suave de detergente y agua. Aplique sólo un poquito de dicha solución con un paño suave y séquelo por completo antes de su utilización. No utilice hidrocarburos aromatizados ni solventes clorados para la limpieza.

Reemplazo de la batería (consulte la fig. 4)

⚠ Advertencia

Para evitar descargas eléctricas o daños en el medidor, desconecte los conductores de prueba que haya entre cualquier circuito y el medidor y, seguidamente, apague el medidor antes de quitar la tapa de la batería. La batería deberá reemplazarse en un entorno limpio y con la diligencia adecuada para evitar contaminar los componentes interiores del medidor.

1. Quite el tornillo y levante la tapa de la batería.
2. Reemplace las baterías con otras del mismo tipo (AAA de 1,5 V). Tenga en cuenta la polaridad debajo de la batería.
3. Vuelva a colocar la tapa y el tornillo.

ESPECIFICACIONES

Especificaciones generales

Pantalla:	Pantalla LCD de 3-3/4 dígitos y 4.000 recuentos
Velocidad de actualización:	3 por segundo nominal
Polaridad:	Automática
Alimentación:	2 baterías estándar de 1,5 V de tamaño AAA (NEDA 24G o IEC R03)
Consumo de energía:	Típico de 11 mA para ACA/ACC y de 2,9 mA para otras funciones
Sincronización APO:	Inactivo durante 30 minutos
Consumo APO:	Típico de 10 μ A para el ACDC-100 y de 90 μ A para el ACDC-100 TRMS
Batería con poca carga:	Por debajo de aproximadamente 2,4 V
Ambiente:	Funcionamiento en interiores, inferior a 2.000 m
Temperatura/Humedad:	
En funcionamiento:	0 °C a 40 °C (14 °F a 122 °F)
Humedad relativa	< 80 % de HR a 31 °C, con descenso lineal hasta 50 % de HR a 40 °C
Almacenamiento:	-20 °C a 60 °C (-4 °F a 122 °F) / < 80 % HR
Coeficiente de temperatura:	0,5 x (exactitud especificada) / °C (de 0 a 18 °C, de 28 °C a 40 °C)
Detección:	Detección media para el ACDC- 100; RMS verdadero para el ACDC-100 TRMS
Mordaza de pinza:	CC 1.000 A, o CC 800 A, rms continuo
+ & terminales COM (todas las funciones):	600 VCC/VCA rms
Apertura de mordaza:	50 mm máx.
Dimensión:	227 x 78 x 40 mm (8,9 x 3,1 x 1,6 pulg)
Peso:	290 g (0,6 libras)

LVD de seguridad: cumple con EN61011-1:2001; EN61010-2-032(2002), categoría III- 600 voltios CA y CC; grado de contaminación: 2; clase 2

CE EMC: este producto cumple con los requisitos de las siguientes directivas de la comunidad europea: 89/336/EEC (compatibilidad electromagnética) y 73/23/EEC (baja tensión) tal como fue modificada por 93/68/EEC (Marca CE). Sin embargo, la presencia de impulsos eléctricos o campos electromagnéticos intensos cerca del equipo puede perturbar el funcionamiento del circuito de medición. Los instrumentos de medición también responderán a señales no deseadas que puedan estar presentes en el circuito de medición. Los usuarios deben obrar con cuidado y tomar las precauciones apropiadas para evitar resultados erróneos al realizar mediciones en presencia de interferencia electrónica.

Eléctrica (23 °C ± 5 °C) < 75 % HR

Voltaje de CC

RANGO	Exactitud
400,0 mV	± (0,3 % + 3 díg.)
4,000 V, 40,00 V y 400,0 V	± (0,5 % + 3 díg.)
600 V	± (1,0 % + 4 díg.)

Resolución: 0,1 mV en rango de 400 mV

NMRR: > 50 dB a 50/60 Hz

CMRR: > 20 dB a DC, 50/60 Hz, $R_s=1\text{ k}\Omega$

Impedancia de entrada: 10 M Ω , 30 pF nominales (1.000 M Ω para rango de 400,0 mV)

Entrada máxima: 600 VCC/VCA rms

Voltaje de CA

RANGO	Frecuencia	Exactitud
400,0 mV ¹⁾	50 Hz a 500 Hz	± (4,0 % + 4 díg.)
4,000 V, 40,00 V y 400,0 V	50 Hz a 60 Hz	± (1,0 % + 4 díg.)
4,000 V, 40,00 V y 400,0 V	60 Hz a 500 Hz	± (1,5 % + 4 díg.)
600 V	50 Hz a 500 Hz	± (2,0 % + 4 díg.)

Resolución: 0,1 mV en rango de 400 mV

CMRR: > 60 db a CC hasta 60 Hz, $R_s=1\text{ k}\Omega$

Impedancia de entrada: 10 M Ω , 30 pF nominales

Factor de cresta (ACDC-100 TRMS): < 1,6: a plena escala; < 3,2: a media escala

Entrada máxima: 600 VCC/VCA rms

¹⁾ Selección manual mediante botón RANGE, se especifica desde CA 40 mV (CA 60 mV para el ACDC-100 TRMS) y más

Resistencia

RANGO	Exactitud
400,0 Ω	± (0,8 % + 6 díg.)
4,000 k Ω , 40,00 k Ω y 400,0 k Ω	± (0,6 % + 4 díg.)
4,000 M Ω	± (1,0 % + 4 díg.)
40,00 M Ω	± (2,0 % + 4 díg.)

Resolución: 0,1 Ω en rango de 400 Ω

Voltaje de circuito abierto: 0,4 V CC típico

Comprobador de continuidad

Voltaje de circuito abierto: 0,4 V CC, típico

Rango: 400,0 Ω

Exactitud: ± (1,5 % + 6 díg.)

Umbral audible: Entre 10 y 120 Ω

Comprobador de diodos

Voltaje de circuito abierto: < 1,6 V CC

Corriente de prueba (típica): 0,4 mA

Capacitancia

RANGO ¹⁾	Exactitud ^{2) 3)}
500,0 nF, 5,000 μ F, 50,00 μ F, 500,0 μ F y 3.000 μ F	\pm (3,5 % + 6 díg.)

Resolución: 0,1 nF en rango de 500,0 nF

¹⁾ No se especifica una exactitud adicional del rango de 50,00 nF

²⁾ Exactitudes con condensador de película o mejor

³⁾ Especificado con un voltaje de la batería mayor que 2,8 V (aproximadamente la mitad de la batería llena). La exactitud disminuye gradualmente a un 12 % en el voltaje de advertencia de batería baja de aproximadamente 2,4 V

Corriente CC (pinza)

RANGO	Exactitud ^{1) 2)}
0,0 A a 400,0 A	\pm (1,5 % + 4 díg.)
400 A a 800 A	\pm (1,5 % + 4 díg.)
800 A a 900 A	\pm (2,0 % + 4 díg.)
900 A a 1.000 A	\pm (5,0 % + 30 díg.)

Corriente máxima: 1.000 A, continua

Resolución: 0,1 A en rango de 400 A

¹⁾ Error inducido del conductor adyacente que transporta corriente: < 0,01 A/A

²⁾ Es necesario aplicar el modo de cero para poner la unidad a cero y así garantizar la exactitud de la medición.

Corriente ACA (pinza)

RANGO	Frecuencia	Exactitud ^{1) 2)}
400,0 A	5 Hz a 40 Hz	\pm (2,0 % + 5 díg.) ³⁾
400,0 A	40 Hz a 200 Hz	\pm (1,5 % + 5 díg.)
< 50 A ⁴⁾	200 Hz a 400 Hz	\pm (1,5 % + 5 díg.)
< 50 A ⁴⁾	400 Hz a 1 kHz	\pm (2,0 % + 5 díg.)
400 a 600 A	5 Hz a 40 Hz	\pm (2,0 % + 5 díg.) ³⁾
400 a 600 A	40 Hz a 100 Hz	\pm (1,5 % + 4 díg.)
600 a 800 A	5 Hz a 60 Hz	\pm (5,0 % + 30 díg.)

Corriente máxima: 800 A rms, continua

Resolución: 0,1 A en rango de 400 A

¹⁾ Error inducido del conductor adyacente que transporta corriente: < 0,01 A/A

²⁾ Factor de cresta (ACDC-100 TRMS): < 1,6: a plena escala; < 3,2: a media escala

³⁾ \pm (4,0 % + 5 díg.) para el ACDC- 100 TRMS

⁴⁾ La exactitud se especifica como < 50 A en este ancho de banda de frecuencia debido a la capacidad de salida limitada del calibrador para la realización de pruebas

ACDC-100-F02

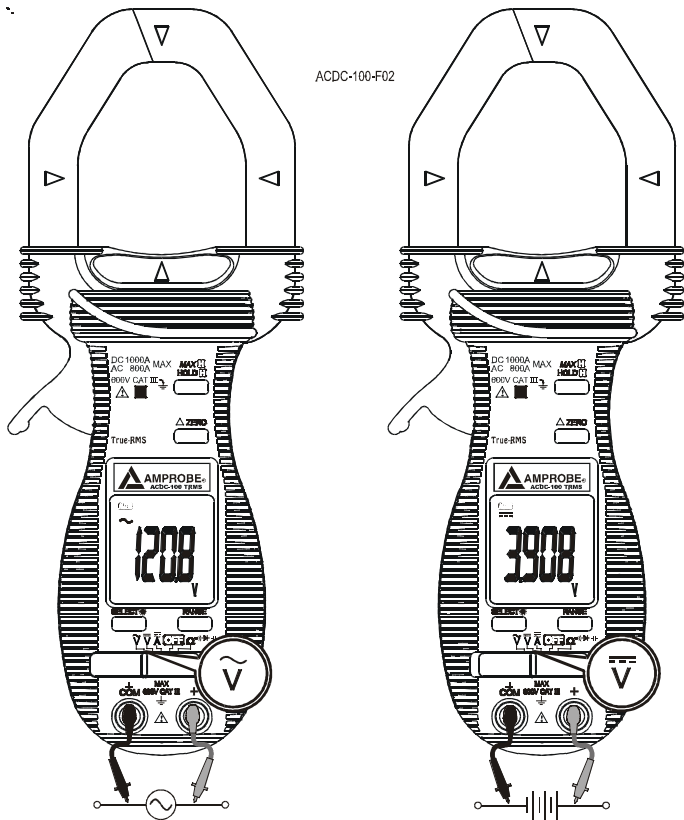


Figura 1. Funciones de voltaje CC y CA

ACDC-100-F03

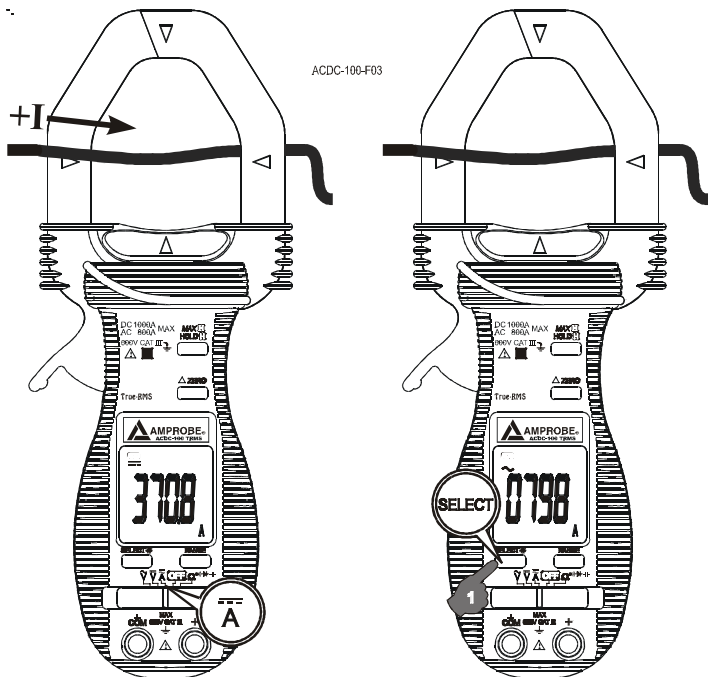


Figura 2. Función de corriente ACA y ACC con la pinza

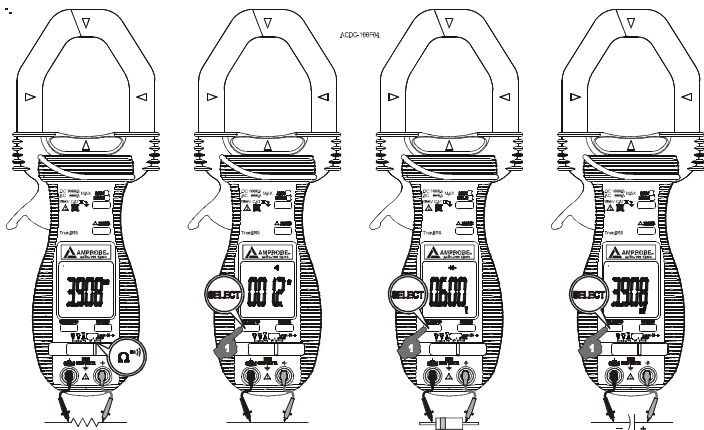


Figura 3. Funciones de resistencia, continuidad, capacitancia o diodos

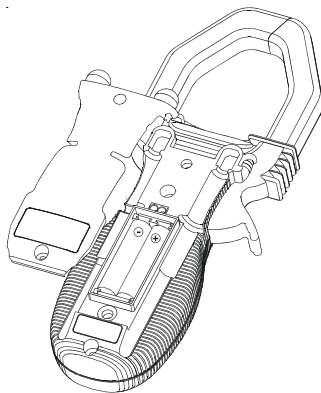


Figura 4. Reemplazo de la batería



ACDC-100 TRMS ACDC-100

Mångsidig Multimätarserie
för växel-/likström
med klämma

Användarhandbok

ACDC100_Rev002
© 2010 Amprobe Test Tools.
Med ensamrätt.

Begränsad garanti och begränsning av ansvar

Denna Amprobe-produkt garanteras vara fri från felaktigheter i material och utförande i ett år från inköpsdatum. Denna garanti innefattar inte säkringar och engångsbatterier, och inte heller skador som uppkommer som en följd av olyckshändelser, försummelse, felaktig användning, ändring, nedsmutsning eller onormala förhållanden eller onormal hantering. Återförsäljare har inte rätt att lämna några ytterligare garantier å Amprobes vägnar. Om du behöver service under garantiperioden ska produkten, tillsammans med inköpsbevis, skickas in till ett auktoriserat Amprobe Test Tools Service Center eller till en återförsäljare eller distributör för Amprobe. Avsnittet Reparation innehåller uppgifter om detta. DENNA GARANTI UTGÖR DIN ENDA GOTTGÖRELSE. ALLA ANDRA GARANTIER - VARE SIG UTTRYCKTA, UNDERFÖRSTÅDDA ELLER LAGFÅSTA - INKLUSIVE UNDERFÖRSTÅDDA GARANTIER AVSEENDE LÄMPLIGHET FÖR ETT VISST SYFTE ELLER KVALITET, FRISKRIVS HÄRMEDE. TILLVERKAREN ÄR EJ ANSVARIG FÖR NÅGRA SPECIELLA SKADOR, INDIREKTA SKADOR, OFÖRUTSEDDA SKADOR ELLER FÖLJDSKADOR ELLER FÖRLUSTER, OAVSETT OM DE INTRÄFFAR PÅ GRUND AV GARANTIBROTT ELLER OM DE BASERAS PÅ KONTRAKT. Vissa stater eller länder tillåter inte undantag eller begränsningar av underförstådda garantier eller tillfälliga skador eller följdskador, så denna ansvarsbegränsning gäller eventuellt inte dig.

Reparation

Alla testverktyg som returneras för garantireparation eller reparation utanför garantin eller för kalibrering ska åtföljas av följande: ditt namn, företagets namn, adress, telefonnummer och inköpsbevis. Inkludera dessutom en kort beskrivning av problemet eller den begärda servicen och skicka också in testsladdarna tillsammans med mätaren. Betalning för reparation eller utbytesdelar som ej faller under garantin ska ske med check, postanvisning, kreditkort med utgångsdatum eller en inköpsorder med betalningsmottagare Amprobe® Test Tools.

Reparationer och utbyten under garanti – Alla länder

Läs garantiuttalandet och kontrollera batteriet innan du begär reparation. Defekta testverktyg kan under garantiperioden returneras till din Amprobe® Test Tools-distributör för utbyte mot samma eller liknande produkt. Avsnittet "Where to Buy" på www.amprobe.com innehåller en lista över distributörer i närheten av dig. Om du befinner dig i USA eller Kanada och din enhet täcks av garanti kan du få den reparerad eller utbytt genom att skicka in den till ett Amprobe® Test Tools Service Center (se nedanstående adresser).

Reparationer och utbyten ej under garanti – USA och Kanada

Enheter som kräver reparation, men som ej täcks av garanti i USA och Kanada, ska skickas till ett Amprobe® Test Tools Service Center. Ring till Amprobe® Test Tools eller kontakta inköpsstället för att få uppgift om aktuella kostnader för reparation och utbyte.

I USA

Amprobe Test Tools
Everett, WA 98203
Tel: 877-AMPROBE (267-7623)

I Kanada

Amprobe Test Tools
Mississauga, ON L4Z 1X9
Tel: 905-890-7600

Reparationer och utbyten ej under garanti – Europa

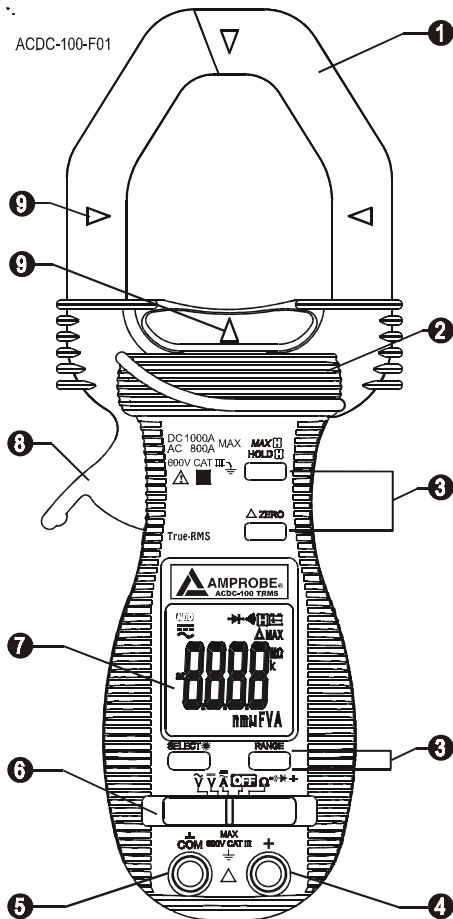
Enheter i Europa, som ej täcks av garanti, kan bytas ut av din Amprobe® Test Tools-distributör för en nominell kostnad. Avsnittet "Where to Buy" på www.amprobe.com innehåller en lista över distributörer i närheten av dig.

Adress för korrespondens i Europa*

Amprobe® Test Tools Europe
In den Engematten 14
79286 Glottertal, Germany
Tel: +49 (0) 7684 8009 - 0

*(Endast korrespondens – inga reparationer eller reservdelar kan erhållas från den här adressen. Kunder i Europa ska kontakta respektive distributör.)

ACDC-100-F01

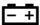






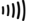







- 1 Halleffektklämma för mätning av elektriska växel- och likströmsfält
- 2 Hand-/Fingerskydd som anger gränserna för säker åtkomst till mätaren under mätning
- 3 Knappar för särskilda funktioner och åtgärder
- 4 Ingångsjack för alla funktioner UTOM icke-invasiva växel- och likströmsfunktioner
- 5 Gemensam (Jordreferens) ingångsjack för alla funktioner FÖRUTOM icke-invasiva växel- och likströmfunktioner
- 6 Skjutreglage för att slå på/stänga av strömmen och för att välja funktion
- 7 LCD-fönster för 3-3/4 siffror 4000 tal
- 8 Klämavtryckare för öppning av klämman
- 9 Indikatorer för klämcenter, där bästa ACA- och DCA-noggrannhet är specificerad

Mångsidig Multimätarserie för växel-/likström med klämma

Symboler	85
Säkerhetsinformation	85
Uppackning och innehåll.....	86
Inledning.....	86
Funktioner	86
Inriktningsmarkeringar	86
MAX  / HOLD 	86
HOLD	87
MAX	87
△ Läget Relative Zero	87
SELECT / Bakgrundsbelysning (☉)	87
Manuellt eller automatiskt område	87
Automatisk avstängning	87
ANVÄNDNING	87
Likspänning	87
Växelspänning	87
Växelström	88
Likström	88
Motstånd	88
Kontinuitet	88
Dioder	88
Kapacitans	89
Underhåll och reparation	89
Byta batteri	89
Specifikationer	90
Allmänna specifikationer	90
Elektriska data	91

SYMBOLER

	Batteri		Se handboken
	Dubbel isolering		Farlig spänning
	Likström		Jordning
	Växelström		Hörbar ton
	Uppfyller kraven i relevanta australiensiska normer.		Överensstämmer med EU-direktiven.
	Avyttra inte denna produkt tillsammans med osorterade, vanliga sopor.		Underwriters Laboratories [Obs! Kanada och USA.]
	Användning i närheten av och borttagning från farliga strömförande ledare är tillåtet.		

SÄKERHETSINFORMATION

- ACDC-100-serien med digitala klämmätare uppfyller kraven enligt EN61010-1:2001, EN61010-2-032:2002, CAT III 600 V, klass 2 och föroreningsgrad 2.
- Detta instrument är certifierat enligt EN61010-1 för installationskategori III (600 V). Vi rekommenderar användning i distributionsnivåinstallationer och fasta installationer, såväl som i mindre installationer, men ej för primära matarledningar, luftledningar och kabelsystem.
- Överskrid inte den högsta gränsen för överbelastning per funktion (se specifikationerna) eller de gränser som anges på själva instrumentet. Applicera aldrig högre spänning än 600 volt likström/600 volt växelström effektivvärde mellan mätsladdarna och jord.

Varningar och försiktighetsanvisningar

- Testa spänningsfunktionen på en känd källa, t.ex. linjespänning, för att kontrollera korrekt mätarfunktion före och efter mätningar av farlig spänning.
- Koppla bort mätsladdarna från testpunkterna innan du byter funktion i mätaren.
- Kontrollera klämmätaren, mätsladdarna och alla tillbehör före varje användningstillfälle. Använd ej skadade delar.
- Jorda aldrig dig själv när du utför mätningar. Vidrör inte exponerade kretselement eller testprobspetsarna.
- Använd inte instrumentet i en miljö där det föreligger explosionsrisk.
- Minska risken för brand eller elektriska stötar genom att inte utsätta denna produkt för regn eller fukt.
- Mätaren är endast avsedd för inomhusbruk. Undvik elektriska stötar genom att följa lämpliga säkerhetsföreskrifter vid arbete med spänningar över 60 volt likström eller 30 volt växelström effektivvärde. Dessa spänningsnivåer utgör en potentiell risk för stötar för användaren.

- Testa spänningsfunktionen på en känd källa, t.ex. linjespänning, för att kontrollera korrekt mätarfunktion före och efter mätningar av farlig spänning.
- Håll händer och fingrar bakom hand-/fingerskydden (på mätaren och på mätsladdarna) som anger gränsen för säker åtkomst till de handhållna delarna under mätning.
- Inspektera mätsladdar, kopplingar och prober för skadad isolering eller frilagd metall innan du använder instrumentet. Om några defekter upptäcks ska delarna omedelbart bytas ut.
- Denna klämmätare är utformad för att användas runt eller avlägsnas från oisolerade, farliga, strömförande ledare. Personlig skyddsutrustning måste användas om farliga, strömförande delar av installationen kan vara åtkomliga.
- Var mycket försiktig vid: mätning av spänning > 20 V // strömstyrka > 10 mA // växelströmsledning med induktiva belastningar // växelströmsledning under åskväder // ström, när säkring går i en krets med öppen kretsspänning > 1 000 V // service på CRT-utrustning.
- Ta bort mätsladdarna innan du öppnar kåpan för att byta batteriet.
- Koppla från kretsströmmen och ladda ur alla högspänningskondensatorer före provning av motstånd, kontinuitet, dioder eller kapacitans.
- Undvik falska mätvärden, som kan leda till möjliga elektriska stötar eller personskador, genom att byta ut batterierna så snart ikonen för låg batteriladdning (🔋) visas.

UPPACKNING OCH INNEHÅLL

Kartongen ska innehålla följande:

- 1 ACDC-100 eller ACDC-100 TRMS
- 1 Mätsladdsats
- 2 1,5 V AAA batterier, installerade
- 1 Användarhandbok
- 1 Väska

Om någon av dessa artiklar är skadade eller saknas ska hela kartongen omedelbart återställas till inköpsstället för utbyte.

INLEDNING


TRMS-mätarna med klämma ACDC-100 och ACDC-100 är mätare för 1000 Amp / 600 V med 50 mm käftöppning för industriella tillämpningar. Funktioner inkluderar stor konduktorstorlek och snabba strömmätningar samt testning av växel-/likspänning, växel-/likström, motstånd, kontinuitet och diod.

FUNKTIONER

Inriktningsmarkeringar (se Figur 1)

Placera konduktorn i käftarna vid korsningen av de indikerade markeringarna så nära som möjligt för att maximera avläsningens noggrannhet.

MAX / HOLD

Funktionen HOLD fryser visningen i teckenfönstret när du trycker på knappen . Funktionen MAX jämför och visar det uppmätta maximala värdet så snabbt som 30 ms med kapacitet för automatiskt område.

HOLD

Tryck snabbt på knappen **HOLD** för att växla till läget Hold för alla funktioner. Tryck åter snabbt på knappen **HOLD** för att avsluta funktionen **HOLD**.

MAX

Tryck på knappen **HOLD** i 1 sekund eller mer för att aktivera funktionen **MAX HOLD** för funktionerna VDC, VAC och ACA. Tryck åter på knappen **HOLD** i 1 sekund eller mer för att avsluta funktionen **MAX HOLD**.

△ Läget Relative Zero

Läget Relative Zero (Relativt noll) gör att användaren kan förskjuta mätarens på varandra följande mätvärden med det visade värdet som referensvärde. Teckenfönstret kommer nu att visa mätvärden relativt till det lagrade referensvärdet. Så här: visning = avläsning - lagrat värde. Om du trycker snabbt på knappen växlar mätaren till det relativa läget.

SELECT / Bakgrundsbelysning (☺)

Tryck på knappen Backlight under mer än 1 sekund för att aktivera/avaktivera bakgrundsbelysningen.

Tryck på knappen SELECT / Backlight för att stega mellan de manuellt valda funktionerna $A\overline{\sim}$ och Ω .

$A\overline{\sim}$ → $A\sim$ och Ω → |||| → ▶ → ⚡

Manuellt eller automatiskt område

Tryck på knappen RANGE (Område) för att välja det manuella läget för område. Symbolen **AUTO** för LCD släcks. Tryck åter snabbt på knappen för att stega igenom områdena. Tryck på och håll ned knappen RANGE i minst en sekund för att återgå till läget för automatiskt område.

Automatisk avstängning

Klämmätaren stängs av automatiskt efter cirka 30 minuters inaktivitet.

Slå på den igen genom att vrida väljaren till OFF och sedan tillbaka till en mätfunktion.

Inaktivera den automatiska avstängningen genom att trycka på och hålla ned knappen HOLD medan du flyttar skjutreglaget från OFF till valfri funktion.

ANVÄNDNING

Likspänning (se Figur 1)

1. Ställ in funktionsreglaget på $V\overline{\sim}$.
2. Anslut mätsladdarna: Röd till +, Svart till **COM**.
3. Anslut testproberna till kretsens testpunkter.
4. Avläs det visade värdet och korrigerar alla eventuella förhållanden avseende överbelastning (OL).

Växelspänning (se Figur 1)

1. Ställ in funktionsreglaget på $V\sim$.
2. Anslut mätsladdarna: Röd till +, Svart till **COM**.
3. Anslut testproberna till kretsens testpunkter.
4. Avläs det visade värdet och korrigerar alla eventuella förhållanden avseende överbelastning (OL).

Växelström (se Figur 2)

1. Ställ in funktionsreglaget på A_{\approx} .
2. Välj växelström med hjälp av knappen SELECT.
3. Öppna den fjäderbelastade klämman genom att tryck på handtaget på mätarens vänstra sida.
4. Placera klämman runt en ledning eller en konduktor och släpp klämhandtaget. Kontrollera att klämman är helt stängd. Klämman får endast sitta runt en konduktor. Om den placeras runt flera strömförande konduktorer kommer mätvärdet att vara FALSKT.
5. Avläs det visade värdet och korrigerar alla eventuella förhållanden avseende överbelastning (OL).

Likström (se Figur 2)

1. Ställ in funktionsreglaget på A_{\approx} .
2. Välj likström med hjälp av knappen SELECT.
3. Öppna den fjäderbelastade klämman genom att tryck på handtaget på mätarens vänstra sida.
4. Placera klämman runt en ledning eller en konduktor och släpp klämhandtaget. Kontrollera att klämman är helt stängd. Klämman får endast sitta runt en konduktor. Om den placeras runt flera strömförande konduktorer kommer mätvärdet att vara FALSKT.
5. Avläs det visade värdet och korrigerar alla eventuella förhållanden avseende överbelastning (OL).

VIKTIGT

Användning av funktionerna för motstånd, kontinuitet, diod eller kapacitans på strömförande kretsar ger falska resultat och kan dessutom skada instrumentet. Den misstänkta komponenten måste i många fall avlägsnas från kretsen för att ett korrekt mätvärde ska kunna erhållas.

Motstånd (se Figur 3)

1. Ställ in funktionsreglaget på Ω .
2. Anslut mätsladdarna: Röd till +, Svart till COM.
3. Slå av strömmen till den krets som ska mätas.
4. Ladda ur alla kondensatorer som kan påverka avläsningen.
5. Anslut testproberna över motståndet.
6. Avläs teckenfönstret. Om OL visas på det högsta området är motståndet för högt för att det ska kunna mätas eller kretsen är öppen.

Kontinuitet (se Figur 3)

1. Ställ in funktionsreglaget på Ω och tryck på knappen SELECT (VÄLJ) tills ||| visas.
2. Anslut mätsladdarna: Röd till +, Svart till COM.
3. Slå av strömmen till den krets som ska mätas.
4. Ladda ur alla kondensatorer som kan påverka avläsningen.
5. Anslut testproberna över motståndet eller de två testpunkterna.
6. Lyssna efter den ton som anger kontinuitet ($> 10 \Omega$ och $< 120 \Omega$).

Dioder (se Figur 3)

1. Ställ in funktionsreglaget på Ω och tryck på knappen SELECT (VÄLJ) tills \rightarrow visas.
2. Anslut mätsladdarna: Röd till +, Svart till COM.

3. Slå av strömmen till den krets som ska mätas.
4. Frigör minst en ände av dioden från kretsen.
5. Anslut testproberna över diodnotingspolariteten.
6. Avläs teckenfönstret. En bra diod har ett spänningsfall framåt på cirka 0,6 V. En öppen eller omvänt lutande diod ger avläsningen .0L.

Kapacitans (se Figur 3)

1. Ställ in funktionsreglaget på Ω och tryck på knappen SELECT (VÄL) tills \rightarrow visas.
2. Anslut mätsladdarna: Röd till +, Svart till COM.
3. Slå av strömmen till den krets som ska mätas.
4. Ladda ur den kondensator som använder en 100 k Ω resistor.
5. Frigör minst en ände av kondensatorn från kretsen.
6. Anslut testproberna över kondensatorn.
7. Avläs teckenfönstret.
8. Läget för relativt noll kan användas för att nollställa parasitkapacitansen i mätsladdarna och de interna skyddskretsarna i mätaren vid mätning av låg kapacitans i Pico Farad (pF).

UNDERHÅLL OCH REPARATION

Om felaktig funktion misstänks i mätaren ska du utföra följande moment för att försöka isolera orsaken till problemet.

1. Kontrollera batteriet.
2. Läs igenom anvisningarna för att se om du har gjort misstag i användarproceduren.
3. Inspektera och testa mätsladdarna för att se om de är trasiga eller om anslutningen är intermitterent.

Förutom byte av batteri eller testprober, ska alla reparationer av multimätaren utföras av Fabriksauktoriserat Servicecenter eller av behörig instrumentservicepersonal. Frontpanelen och höljet kan rengöras med en mild tvållösning och vatten. Applicera sparsamt med en mjuk trasa och låt torka helt innan instrumentet åter tas i bruk. Använd inte aromatiska kolväten eller klorerade lösningsmedel för rengöring.

Byta batteri (se Figur 4)

Varning

Förhindra elektriska stötar eller skador på mätaren genom att koppla från mätsladdarna från alla kretsar och mätaren och stäng sedan av mätaren innan du avlägsnar batteriluckan. Batteribytet ska ske i en ren miljö och med lämplig försiktighet för att undvika förorening av de interna komponenterna i mätaren.

1. Avlägsna skruven och lyft upp batteriluckan.
2. Byt ut de gamla batterierna med batterier av samma typ (1,5 V AAA). Lägg märke till polariteten som anges under batteriet.
3. Sätt tillbaka luckan och skruva fast skruven.

SPECIFIKATIONER

Allmänna specifikationer

Fönster:	LCD-fönster för 3-3/4 siffror 4000 tal
Uppdateringsfrekvens:	3 per sekund, nominellt
Polaritet:	Automatisk
Strömtillförsel:	Standardbatterier 1,5 V AAA (NEDA 24G eller IEC R03) x 2
Strömförbrukning:	Typisk 11 mA för ACA/DCA och 2,9 mA för andra funktioner
APO-timing:	Vila i 30 minuter
APO-förbrukning:	Typisk 10 µA för ACDC-100 och 90 µA för ACDC-100 TRMS
Svagt batteri:	Under ca 2,4 V

Miljö:	Användning inomhus, under 2 000 m.
Temperatur/Luftfuktighet:	
Användning:	0 °C till 40 °C (14 °F till 122 °F)
Relativ luftfuktighet:	< 80 % relativ luftfuktighet vid 31 °C, linjärt minskande till 50 % relativ luftfuktighet vid 40 °C
Förvaring:	-20 °C till 60 °C (-4 °F till 122 °F); < 80 % relativ luftfuktighet

Temperaturkoefficient:	0,5 x (specificerad noggrannhet)/ °C vid (0 °C ~ 18 °C eller 28 °C ~ 40 °C)
Avkänning:	Genomsnittlig avkänning för ACDC-100; Verkligt effektivvärde för ACDC-100 TRMS

Klämkäft:	Likström 1 000 A eller AC 800 A effektivvärde
-----------	---

+ och COM-terminaler

(alla funktioner):	600 V lik- och växelström, effektivvärde
Käftöppning:	50 mm max
Dimension:	227 x 78 x 40 mm (8,9 x 3,1 x 1,6 tum)
Vikt:	290 gr (0,6 pund)

Säkerhets-LVD: Uppfyller kraven i EN61011-1:2001; EN61010-2-032(2002), Kategori III- 600 volt växelström och likström; föroreningsgrad: 2; klass 2

CE EMC: Denna produkt uppfyller kraven enligt följande direktiv i den Europeiska Gemenskapen: 89/336/EEC (Elektromagnetisk kompatibilitet) och 73/23/EEC (Lågspänning) med tillägget 93/68/EEC (CE-märkning). Elektriskt brus eller intensiva elektromagnetiska fält i närheten av utrustningen kan störa mätkretsen. Mätinstrument kan även reagera på icke önskvärda signaler som kan finnas i själva mätkretsen. Användaren ska vara försiktig och vidta lämpliga försiktighetsåtgärder för att undvika missvisande resultat under mätningar där elektroniska störningar förekommer.

Elektriska data (23 °C ± 5 °C) < 75 % relativ luftfuktighet

Likspänning

OMRÅDE	Noggrannhet
400,0 mV	± (0,3 % + 3 siffror)
4,000 V, 40,00 V, 400,0 V	± (0,5 % + 3 siffror)
600 V	± (1,0 % + 4 siffror)

Upplösning: 0,1 mV i området 400 mV

NMRR: > 50 dB vid 50/60 Hz

CMRR: > 20 dB vid likström, 50/60 Hz, $R_s=1\text{ k}\Omega$

Ingående impedans: 10 M Ω , 30 pF nominellt (1000 M Ω i området 400,0 mV)

Max ingång: 600 V lik- och växelström, effektivvärde

Växelspänning

OMRÅDE	Frekvens	Noggrannhet
400,0 mV ¹⁾	50 Hz till 500 Hz	± (4,0 % + 4 siffror)
4,000 V, 40,00 V, 400,0 V	50 Hz till 60 Hz	± (1,0 % + 4 siffror)
4,000 V, 40,00 V, 400,0 V	60 Hz till 500 Hz	± (1,5 % + 4 siffror)
600 V	50 Hz till 500 Hz	± (2,0 % + 4 siffror)

Upplösning: 0,1 mV i området 400 mV

CMRR: > 60 dB vid likström till 60 Hz, $R_s=1\text{ k}\Omega$

Ingångsimpedans: 10 M Ω , 30 pF nominellt

Toppfaktor (ACDC-100 TRMS): < 1,6: vid full skala och < 3,2: vid halv skala

Max ingång: 600 V lik- och växelström, effektivvärde

¹⁾ Manuellt val genom knappen Range och är specificerat från AC 40 mV (AC 60 mV för ACDC-100 TRMS) och upp

Motstånd

OMRÅDE	Noggrannhet
400,0 Ω	± (0,8 % + 6 siffror)
4,000 k Ω , 40,00 k Ω , 400,0 k Ω	± (0,6 % + 4 siffror)
4,000 M Ω	± (1,0 % + 4 siffror)
40,00 M Ω	± (2,0 % + 4 siffror)

Upplösning: 0,1 Ω i området 400 Ω

Spänning över öppen krets: 0,4 VDC typisk

Kontinuitetstestare

Spänning över öppen krets: 0,4 VDC typisk

Mätområde: 400,0 Ω

Noggrannhet: ± (1,5 % + 6 siffror)

Hörbar tröskel: Mellan 10 Ω och 120 Ω

Diodtestare

Spänning över öppen krets: < 1,6 VDC

Testström (typisk): 0,4 mA

Kapacitans

MÄTOMRÅDE ¹⁾	Noggrannhet ^{2) 3)}
500,0 nF, 5,000 μ F, 50,00 μ F, 500,0 μ F, 3 000 μ F	\pm (3,5 % + 6 siffror)

Upplösning: 0,1 nF i området 500,0 nF

¹⁾ Ytterligare 50,00 nF områdesnoggrannhet är ej specificerat

²⁾ Noggrannhet med filmkondensator eller bättre

³⁾ Specificerad med batterispänning över 2,8 V (cirka till hälften laddat batteri).

Noggrannheten minskar gradvis till 12 % vid varning för låg batteriladdning på cirka 2,4 V

Likström (med klämma)

OMRÅDE	Noggrannhet ^{1) 2)}
0,0 A till 400,0 A	\pm (1,5 % + 4 siffror)
400 A till 800 A	\pm (1,5 % + 4 siffror)
800 A till 900 A	\pm (2,0 % + 4 siffror)
900 A till 1 000 A	\pm (5,0 % + 30 siffror)

Max ström: 1 000 A kontinuerligt

Upplösning: 0,1 A i området 400 A

¹⁾ Inducerat fel från intilliggande strömförande konduktor: < 0,01 A/A

²⁾ Läge Zero måste ställas till noll före mätning för att säkerställa noggrannhet.

ACA-ström (med klämma)

OMRÅDE	Frekvens	Noggrannhet ^{1) 2)}
400,0 A	5 Hz till 40 Hz	\pm (2,0 % + 5 siffror) ³⁾
400,0 A	40 Hz till 200 Hz	\pm (1,5 % + 5 siffror)
< 50 A ⁴⁾	200 Hz till 400 Hz	\pm (1,5 % + 5 siffror)
< 50 A ⁴⁾	400 Hz till 1 kHz	\pm (2,0 % + 5 siffror)
400 A till 600 A	5 Hz till 40 Hz	\pm (2,0 % + 5 siffror) ³⁾
400 A till 600 A	40 Hz till 100 Hz	\pm (1,5 % + 4 siffror)
600 A till 800 A	5 Hz till 60 Hz	\pm (5,0 % + 30 siffror)

Max ström: 800 A kontinuerligt effektivvärde

Upplösning: 0,1 A i området 400 A

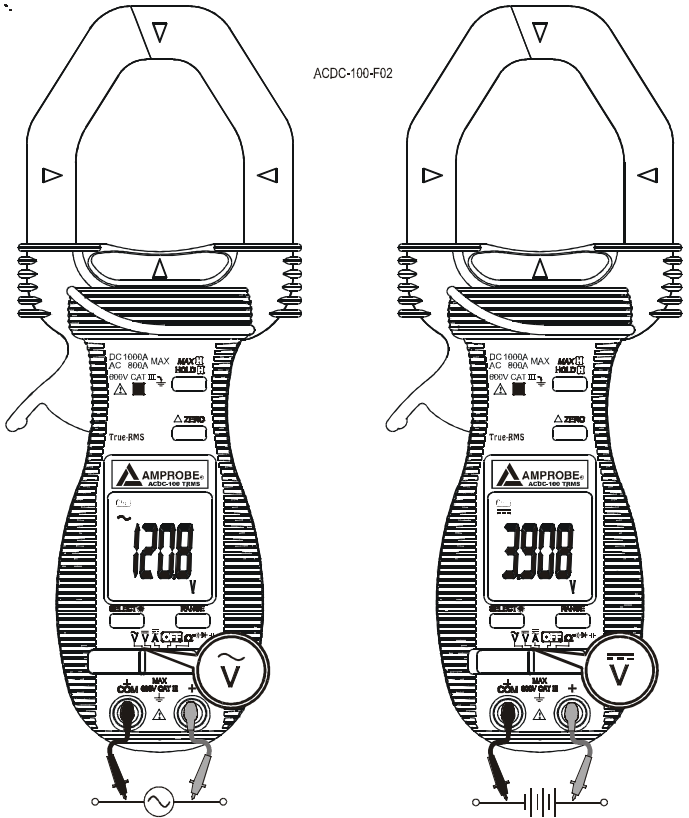
¹⁾ Inducerat fel från intilliggande strömförande konduktor: < 0,01 A/A

²⁾ Toppfaktor (ACDC-100 TRMS): < 1,6: vid full skala och < 3,2: vid halv skala

³⁾ \pm (4,0 % + 5 siffror) för ACDC-100 TRMS

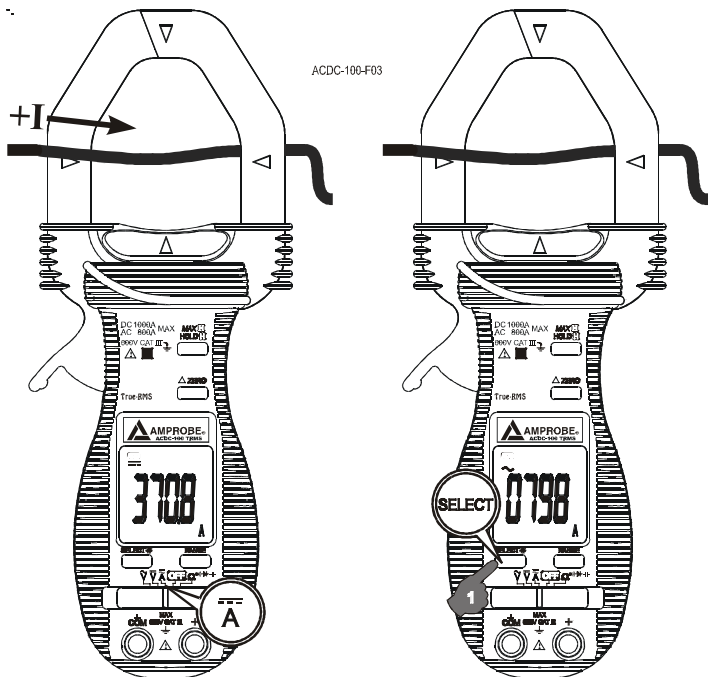
⁴⁾ Noggrannheten är specificerad till < 50 A i denna frekvensbandbredd pga. begränsad kapacitet för kalibratorutmatning för testning

ACDC-100-F02

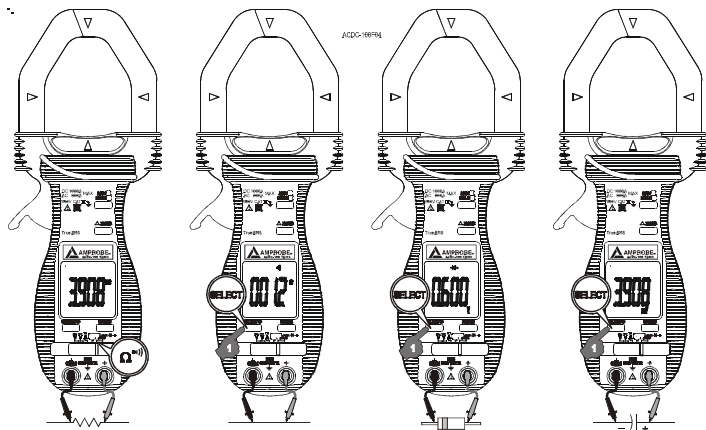


Figur 1. Funktioner för likspänning och växelspänning

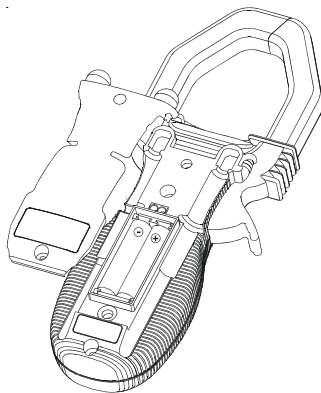
ACDC-100-F03



Figur 2. Klämfunktion för ACA- och DCA-ström



Figur 3. Funktioner för motstånd, kontinuitet, kapacitans och diod



Figur 4. Byte av batteri

Visit www.Amprobe.com for

- Catalog
- Application notes
- Product specifications
- User manuals



Please Recycle