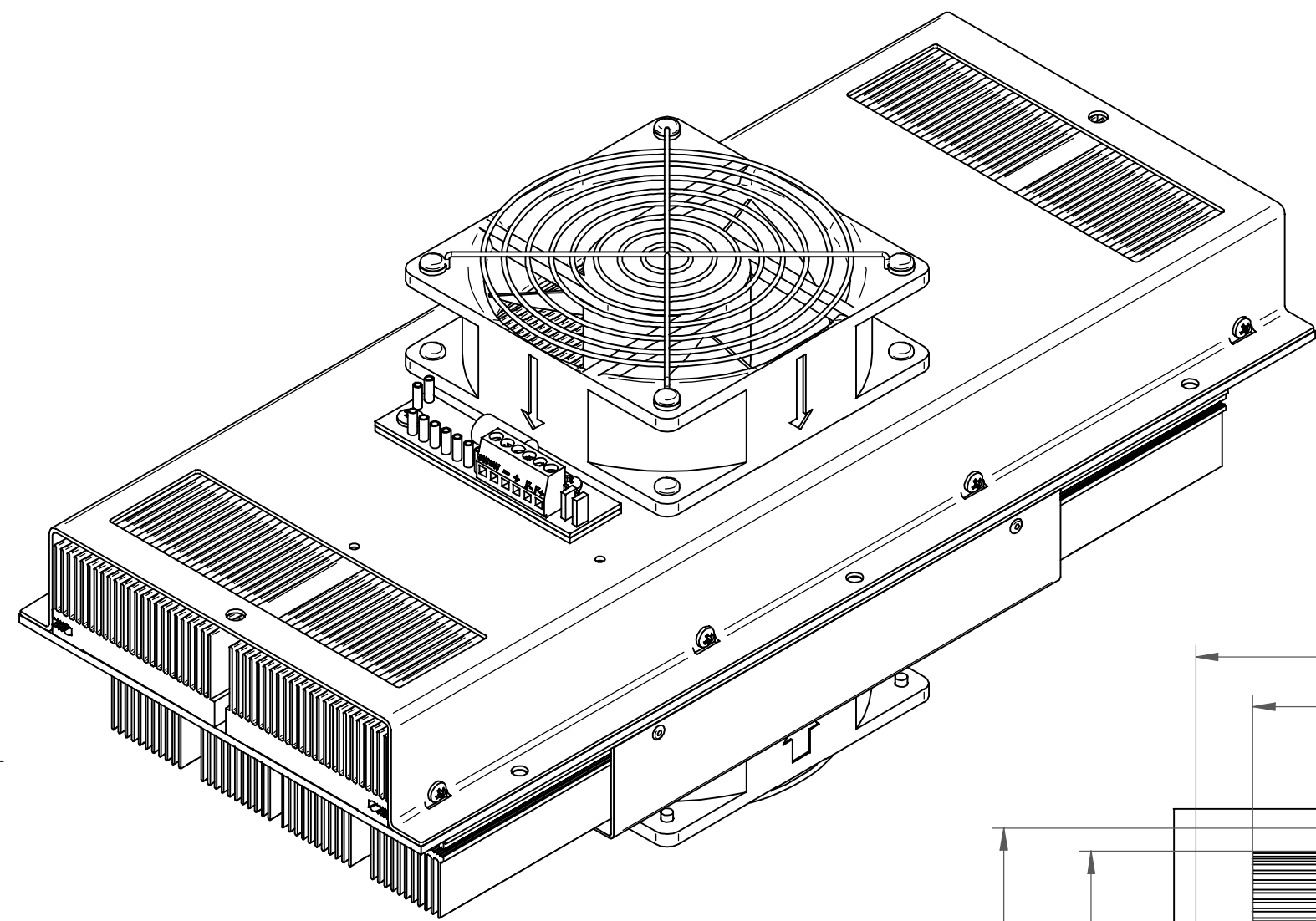


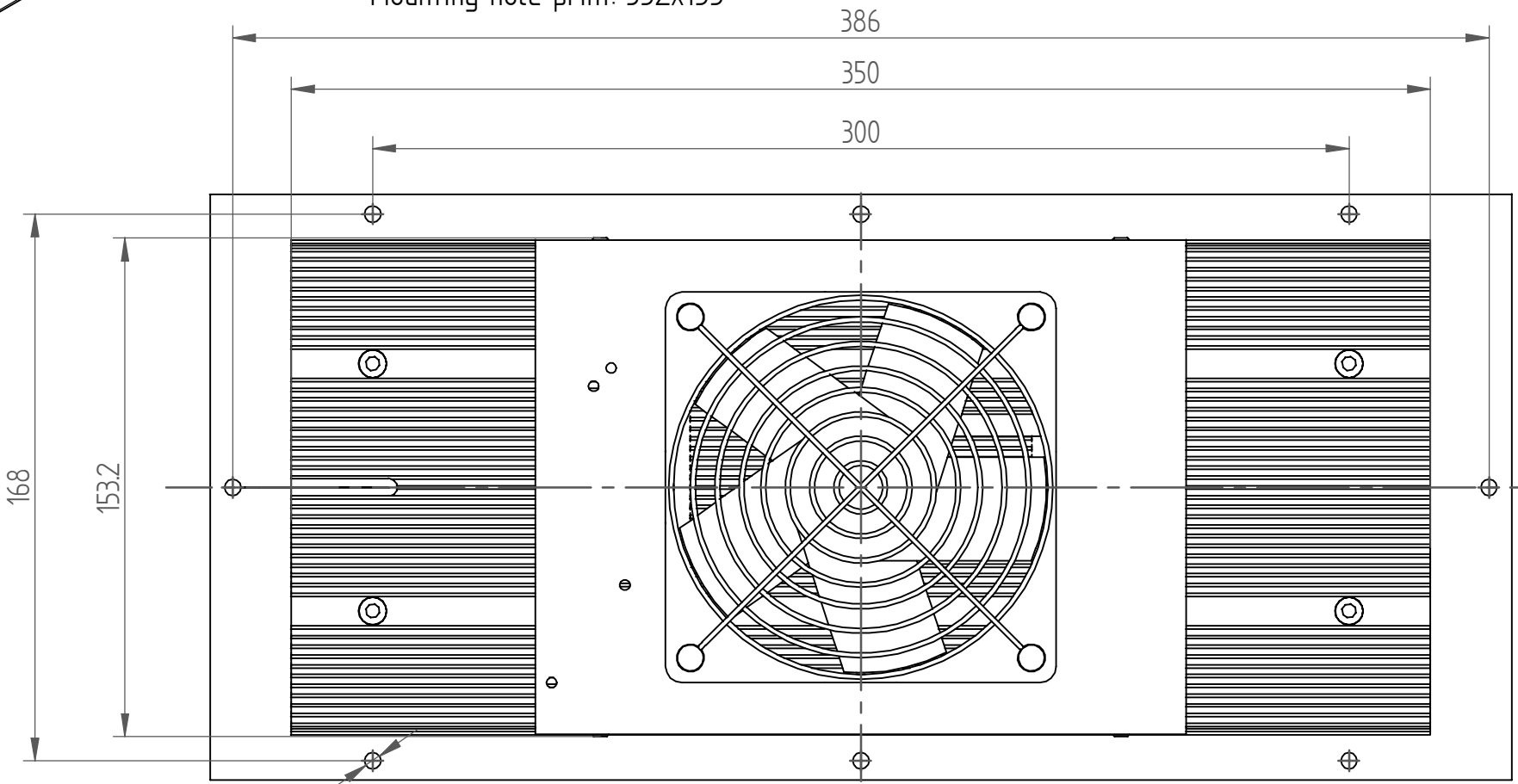
1 2 3 4 5 6 7 8


A B C D E F

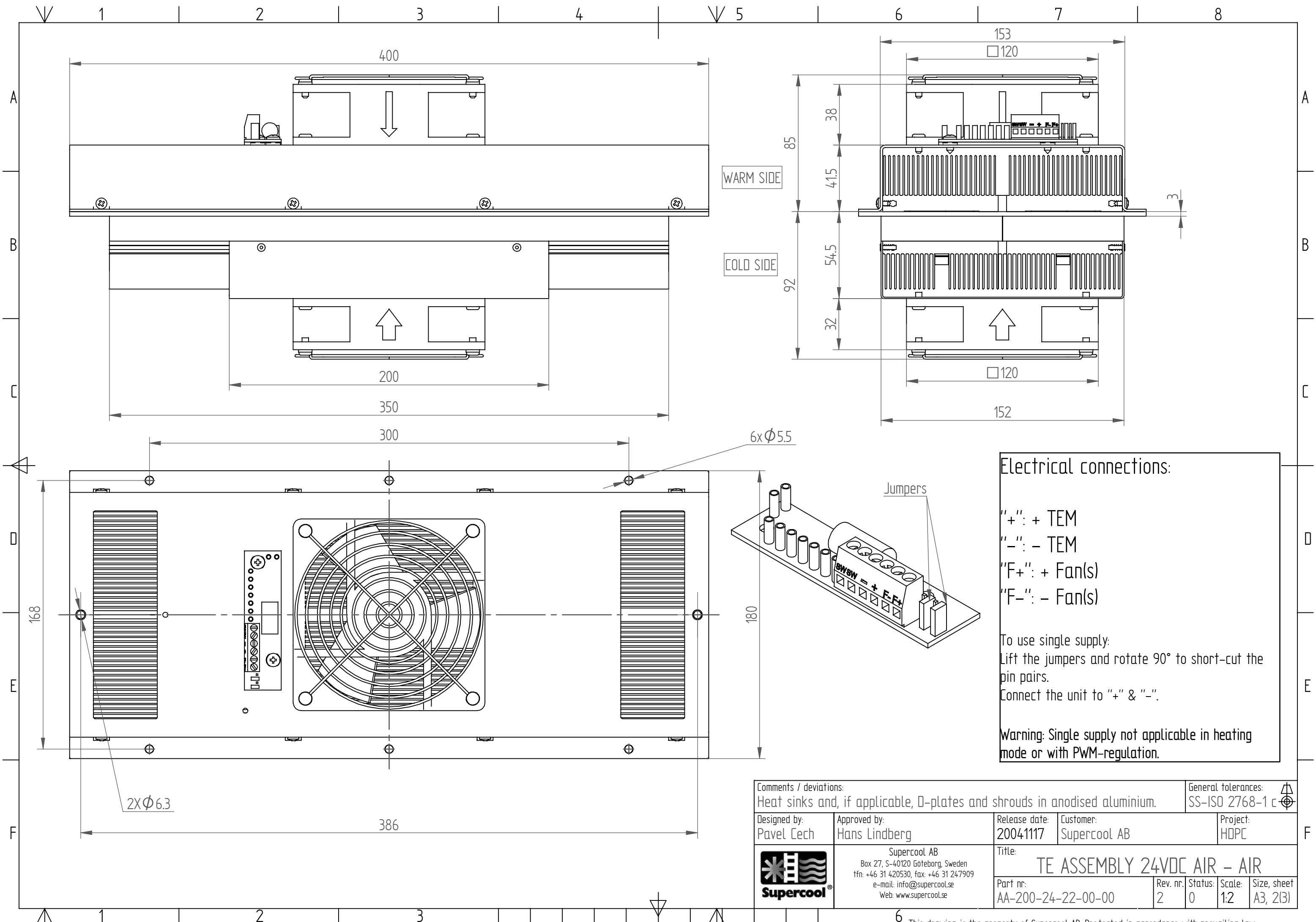


Specification: (Ta=32°C)	Code:	Description:
Heat transfer, cold side:	A	Air
Heat transfer, warm side:	A	Air
Cascade:	-	
Cooling power: [W]	200	195 W at dT=0°C. Tolerance: ±10%.
Voltage, nominal: [VDC]	24	24 VDC
TEM Voltage: [VDC]	Nominal: 24 VDC, Max: 30 VDC.	
TEM Current: [A]	Nominal: 11.3 A, Initial: 13 A. ALL at dT=0°C. Tolerance: ±10%.	
Fans, cold side:	2	MTBF: 50,000 hrs. L10 at 25°C. Nominal current: 0.25 A. Voltage: 24 VDC ±10%.
Fans, warm side:	2	MTBF: 70,000 hrs. L10 at 40°C. Nominal current: 0.6 A. Voltage: 12 - 28 VDC. IP56/E2
Temperature controller, sensor:	0	None.
Temperature control settings, trim options:	0	-
Additional controller information:	-	
Temperature control position:	0	-
Options:	0	-
Weight:	7.0 kg	
Overheating thermostat:	75°C ±5°C on hot side heat sink surface.	
Operating temperature:	-10°C to +46°C	
TE-Module temperature specification:	Max surface temperature: 80°C.	
Enclosed:	-	
Packing:	Individual cardboard box.	

Mounting hole print: 352x155



Comments / deviations: Heat sinks and, if applicable, D-plates and shrouds in anodised aluminium.		General tolerances: SS-ISO 2768-1 c	
Designed by: Pavel Cech	Approved by: Hans Lindberg	Release date: 20041117	Customer: Supercool AB
 Supercool AB Box 27, S-40120 Göteborg, Sweden tfn: +46 31 420530, fax: +46 31 247909 e-mail: info@supercool.se Web: www.supercool.se		Title: TE ASSEMBLY 24VDC AIR - AIR	
		Part nr: AA-200-24-22-00-00	Rev. nr: 2
		Size, sheet: A3, 1(3)	




**Electrical connections:**

"+" : + TEM  
 "-" : - TEM  
 "F+" : + Fan(s)  
 "F-" : - Fan(s)

To use single supply:  
 Lift the jumpers and rotate 90° to short-cut the pin pairs.  
 Connect the unit to "+" & "-".

**Warning:** Single supply not applicable in heating mode or with PWM-regulation.

Comments / deviations: Heat sinks and, if applicable, D-plates and shrouds in anodised aluminium.		General tolerances: SS-ISO 2768-1 c	
Designed by: Pavel Cech	Approved by: Hans Lindberg	Release date: 20041117	Customer: Supercool AB
 Supercool AB Box 27, S-40120 Göteborg, Sweden tfn: +46 31 420530, fax: +46 31 247909 e-mail: info@supercool.se Web: www.supercool.se		Title: <b>TE ASSEMBLY 24VDC AIR - AIR</b>	
		Part nr: AA-200-24-22-00-00	Rev. nr: 2
		Size, sheet A3, 2(3)	