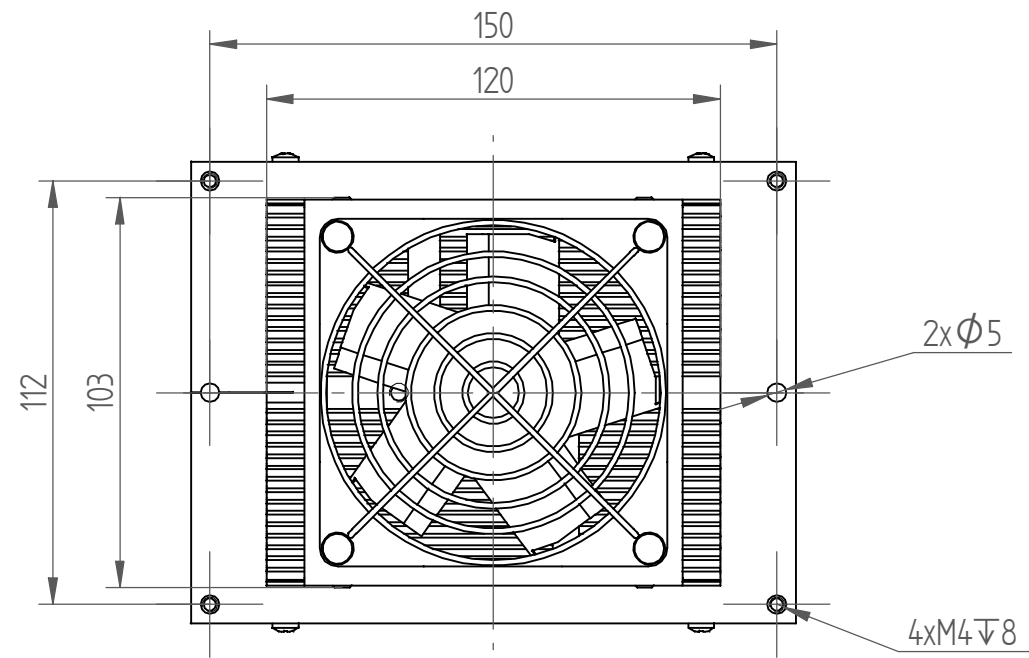

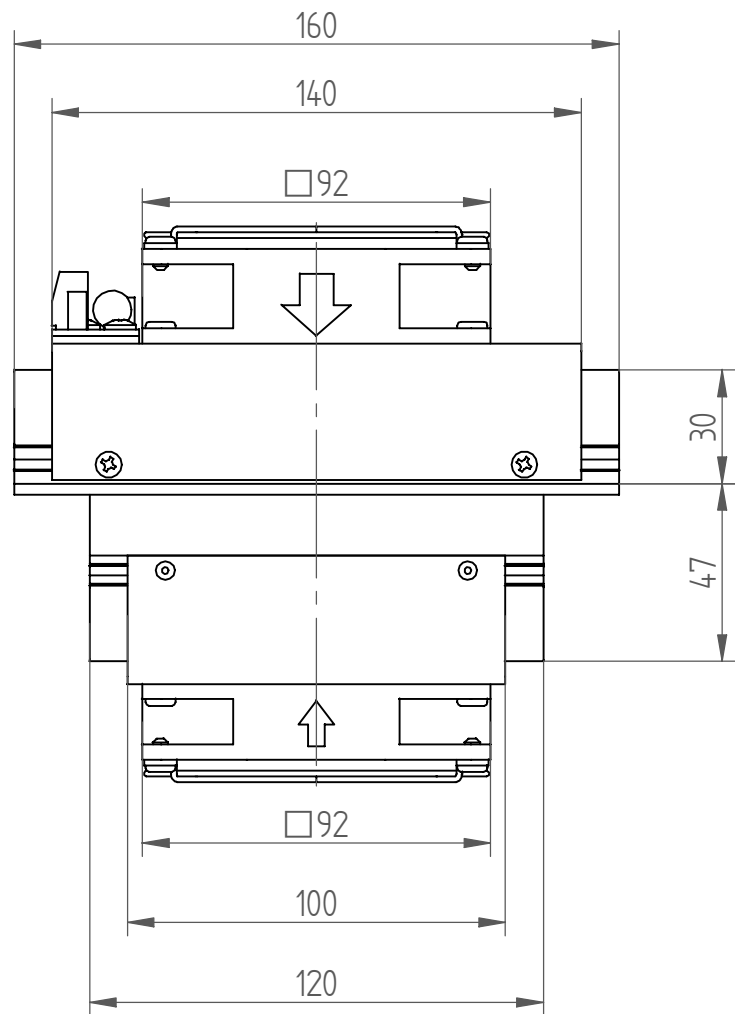


Specification: (Ta=32°C)	Code:	Description:
Heat transfer, cold side:	A	Air
Heat transfer, warm side:	A	Air
Cascade:	-	
Cooling power: [W]	40	41 W at dT=0°C. Tolerance: ±10%.
Voltage, nominal: [VDC]	12	12 VDC.
TEM Voltage: [VDC]		Nominal: 12 VDC, Max: 15 VDC.
TEM Current: [A]		Nominal: 6.3 A, Initial: 7.0 A. All at dT=0°C. Tolerance: ±10%.
Fan(s), cold side:	2	MTBF: 52,000 hrs. L10 at 25°C. Nominal current: 0.23 A. Voltage: 12 VDC ±10%.
Fan(s), warm side:	2	MTBF: 50,000 hrs. L10 at 25°C. Nominal current: 0.39 A. Voltage: 12 VDC ±10%.
Temperature controller, sensor:	0	None.
Temperature control settings, trim options:	0	-
Additional controller information:		
Temperature control position:	0	-
Options:	0	-
Weight:		1.8 kg
Overheating thermostat:		75°C ±5°C on hot side heat sink surface.
Operating temperature:		-10°C to +48°C at nominal voltage.
TE-Module(s) temperature specification:		Max surface temperature: 80°C.
Enclosed:		-
Packing:		Individual cardboard box.

Mounting hole print: 122x105

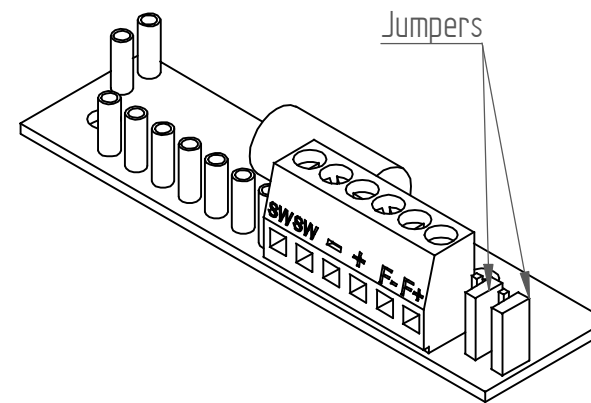
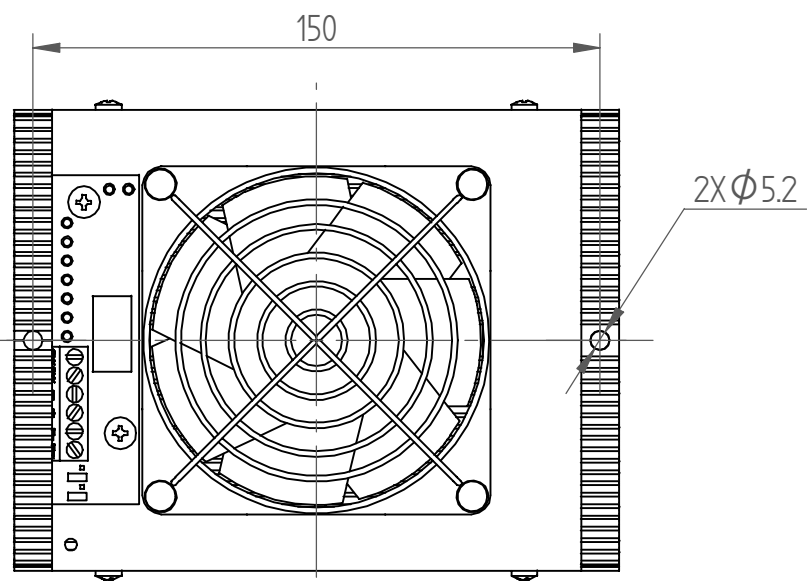
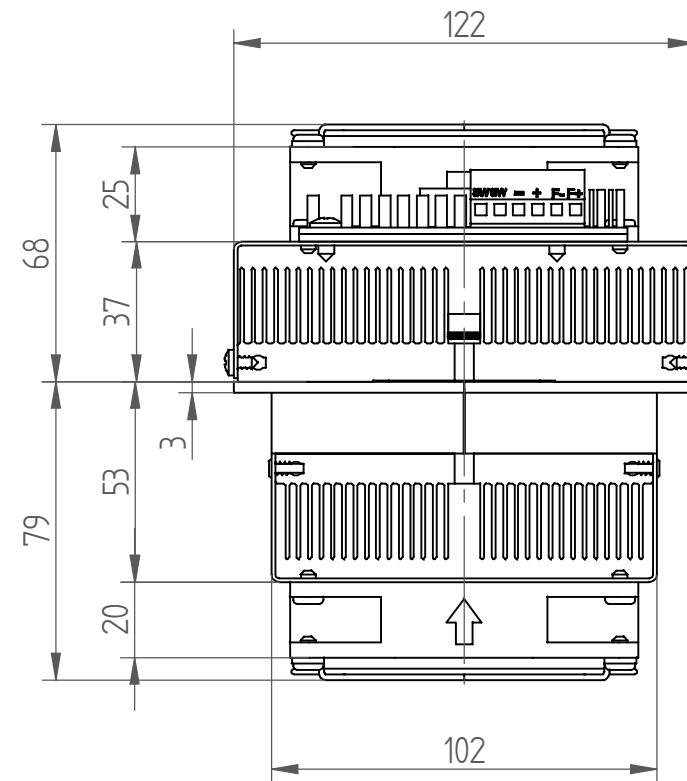


Comments / deviations: Heat sinks and, if applicable, D-plates and shrouds in anodised aluminium.		General tolerances: SS-ISO 2768-1 c	
Designed by: Pavel Cech	Approved by: Henrik Höjer	Release date: 20041019	Customer: Supercool AB
 Supercool AB Box 27, S-40120 Göteborg, Sweden tfn: +46 31 420530, fax: +46 31 247909 e-mail: info@supercool.se Web: www.supercool.se		Title: TE ASSEMBLY 12VDC AIR – AIR	
		Part nr: AA-040-12-22-00-00	Rev. nr: 5
		Size, sheet A3, 1(3)	



WARM SIDE

COLD SIDE




Electrical connections:

- "+" : + TEM
- "-" : - TEM
- "F+" : + Fan(s)
- "F-" : - Fan(s)

To use single supply:
Lift the jumpers and rotate 90° to short-cut the pin pairs.
Connect the unit to "+" & "-".

Warning: Single supply not applicable in heating mode or with PWM-regulation.

Comments / deviations: Heat sinks and, if applicable, D-plates and shrouds in anodised aluminium.		General tolerances: SS-ISO 2768-1 c	
Designed by: Pavel Cech	Approved by: Henrik Höjer	Release date: 20041019	Customer: Supercool AB
 Supercool AB Box 27, S-40120 Göteborg, Sweden tfn: +46 31 420530, fax: +46 31 247909 e-mail: info@supercool.se Web: www.supercool.se		Title: TE ASSEMBLY 12VDC AIR - AIR	
		Part nr: AA-040-12-22-00-00	Rev. nr: 5
		Size, sheet A3, 2(3)	