

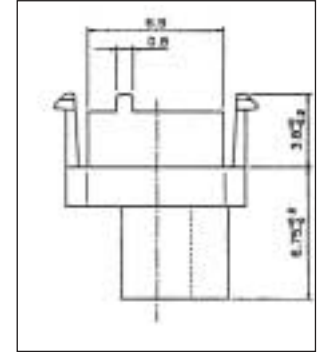
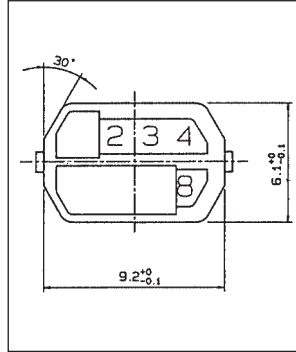
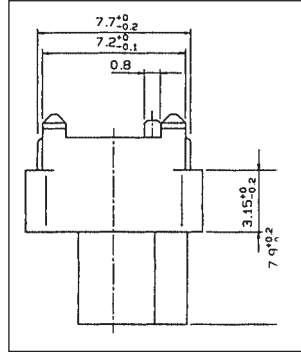
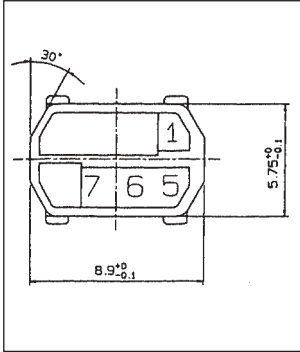
# Coding Keys: Type A Male (Backplane) Type A Female (Daughter Card)



## Series 8071

CompactPCI® supports two types of voltages (3.3V and 5.0V). Coding keys are used to prevent damage by inserting the wrong boards into a system. Keys are snapped into the center

polarization cavity. 3.3V cards are coded cadmium yellow and 5.0V are brilliant blue.



### MALE

| 101 003        | 102 006        | 103 008       | 104 002        |
|----------------|----------------|---------------|----------------|
| Cadmium Yellow | Brilliant Blue | Pastel Orange | Strawberry Red |
|                |                |               |                |

### FEMALE

| 101 003        | 102 006        | 103 008       | 104 002        |
|----------------|----------------|---------------|----------------|
| Cadmium Yellow | Brilliant Blue | Pastel Orange | Strawberry Red |
|                |                |               |                |

| Color          | Ral Number | Code No. | Key Part Number    | Plug/Receptacle       |
|----------------|------------|----------|--------------------|-----------------------|
| Cadmium Yellow | 1021       | 3456     | 81 8071 000 101003 | Plug 3.3V C-PCI       |
| Brilliant Blue | 5007       | 1567     | 81 8071 000 102006 | Plug 5.0V C-PCI       |
| Pastel Orange  | 2003       | 3568     | 81 8071 000 103008 | Plug                  |
| Strawberry Red | 3018       | 1248     | 81 8071 000 104002 | Plug                  |
| Cadmium Yellow | 1021       | 1278     | 82 8071 000 101003 | Receptacle 3.3V C-PCI |
| Brilliant Blue | 5007       | 2348     | 82 8071 000 102006 | Receptacle 5.0V C-PCI |
| Pastel Orange  | 2003       | 1247     | 82 8071 000 103008 | Receptacle            |
| Strawberry Red | 3018       | 3567     | 82 8071 000 104002 | Receptacle            |

