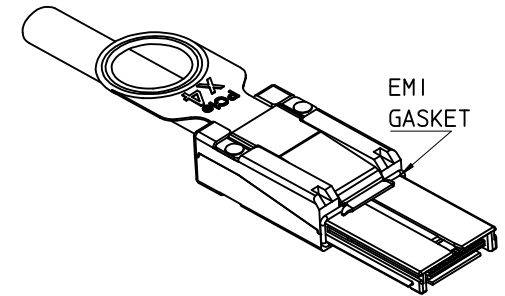


MOLEX P/N	LENGTH	GAGE	TOLERANCE	JACKET RATING
745460400	0.5M	28	0.03M	VW1
745460401	1.0M	28	0.05M	VW1
745460411	1.25M	28	0.05M	VW1
745460402	2.0M	28	0.05M	VW1
745460403	3.0M	28	0.05M	VW1
745460404	4.0M	28	0.10M	VW1
745460405	5.0M	26	0.10M	CL2
745460406	6.0M	26	0.13M	CL2
745460407	7.0M	24	0.13M	CL2
745460408	8.0M $\Delta$	24	0.13M	CL2
745460409	9.0M $\Delta$	24	0.15M	CL2
745460410	10.0M $\Delta$	24	0.15M	CL2



NOTES:

- MATERIAL - BACKSHELLS - ZINC DIECAST  
PULL - NYLON  
CABLE JACKET RATING - SEE TABLE
  - LENGTH AND TOLERANCE - SEE TABLE
  - ELECTRICAL PERFORMANCE PER PCI EXPRESS EXTERNAL CABLING SPEC.
  - PLUG MATES TO RECEPTACLE 75586-0010, AND EMI GUIDE HOUSING ASSY.74540-0400
  - THIS PRODUCT MEETS THE RESTRICTION OF HAZARDOUS SUBSTANCES IN ELECTRICAL AND ELECTRONIC EQUIPMENT (RoHS) DIRECTIVE (2002/95/EC).
- $\Delta$ . NOT COMPLIANT WITH INSERTION LOSS SPEC. PER. THE PCIe CABLING SPEC.

ENTER DESCRIPTION EC NO: USY2007-0491 DRWN: JERWIN 2008/09/22 CHKD: DDOYE 2008/09/29 APPR: DDOYE 2008/09/30	QUALITY SYMBOLS $\nabla=0$ $\nabla=0$	GENERAL TOLERANCES (UNLESS SPECIFIED)		DIMENSION STYLE		SCALE	DESIGN UNITS	THIRD ANGLE PROJECTION		
		mm INCH		MM ONLY		1:1	METRIC			
		4 PLACES $\pm$ ---	$\pm$ ---	DRAWN BY	DATE	TITLE				
		3 PLACES $\pm$ ---	$\pm$ ---	BREED	2005/02/02	I-PASS X4 CABLE ASSEMBLY GEN 1				
2 PLACES $\pm$ 0.13	$\pm$ ---	CHECKED BY	DATE	MOLEX INCORPORATED						
1 PLACE $\pm$ 0.25	$\pm$ ---	DDOYE	2005/02/02	MATERIAL NO. SEE TABLE						
ANGULAR $\pm$ 1/2°		APPROVED BY	DATE	DOCUMENT NO.		SD-74546-400		SHEET NO.		
DRAFT WHERE APPLICABLE MUST REMAIN WITHIN DIMENSIONS		DDOYE	2005/02/02					1 OF 3		
		SIZE B		THIS DRAWING CONTAINS INFORMATION THAT IS PROPRIETARY TO MOLEX INCORPORATED AND SHOULD NOT BE USED WITHOUT WRITTEN PERMISSION						

10 9 8 7 6 5 4 3 2 1

F

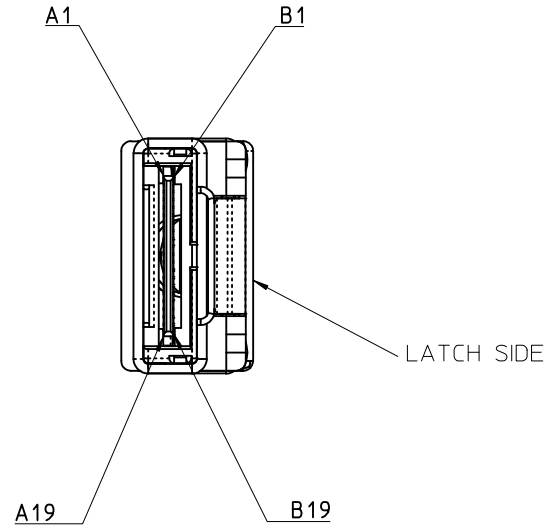
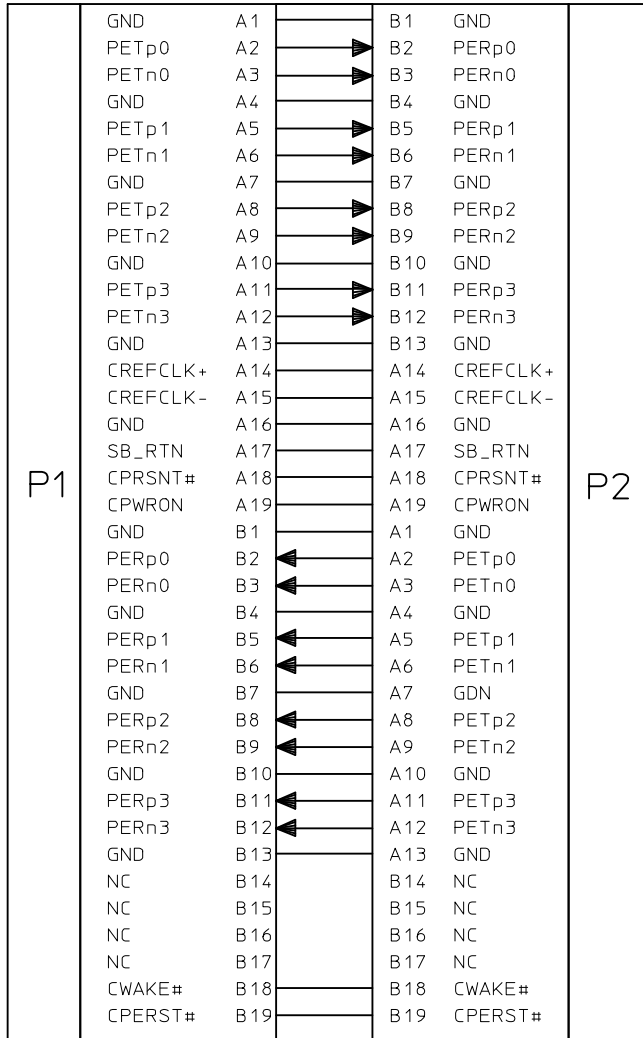
E

D

C

B

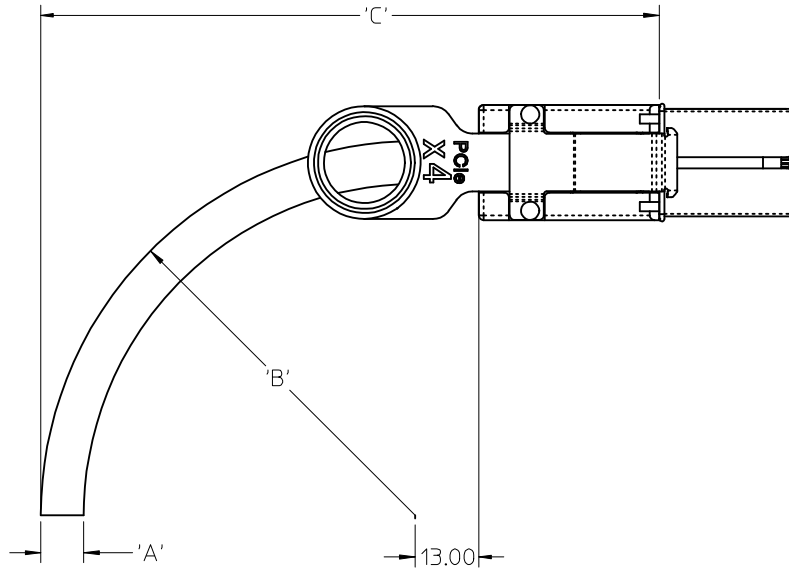
A



IPASS™ IS A TRADEMARK OF MOLEX

<b>ENTER DESCRIPTION</b> EC NO: USY2007-0491 DRAWN: JERMIN 2008/09/22 CHKC: DDOYE 2008/09/29 APPR: DDOYE 2008/09/30 K	<b>DESCRIPTION</b> REV	<b>QUALITY SYMBOLS</b> ▽=0 ▽=0	<b>GENERAL TOLERANCES (UNLESS SPECIFIED)</b>		<b>DIMENSION STYLE</b> MM ONLY		SCALE 1:1	DESIGN UNITS METRIC	THIRD ANGLE PROJECTION			
			4 PLACES ± --- ± ---	3 PLACES ± --- ± ---	2 PLACES ± 0.13 ± ---	1 PLACE ± 0.25 ± ---	DRAWN BY BREED	DATE 2005/02/02	TITLE <b>I-PASS X4 CABLE ASSEMBLY GEN 1</b>			
			ANGULAR ± 1/2°				CHECKED BY DDOYE	DATE 2005/02/02				
			DRAFT WHERE APPLICABLE MUST REMAIN WITHIN DIMENSIONS				MATERIAL NO. SEE TABLE	APPROVED BY DDOYE	DATE 2005/02/02	MOLEX INCORPORATED		SHEET NO. 2 OF 3
							SIZE B	THIS DRAWING CONTAINS INFORMATION THAT IS PROPRIETARY TO MOLEX INCORPORATED AND SHOULD NOT BE USED WITHOUT WRITTEN PERMISSION				

9 8 7 6 5 4 3 2 1



	CABLE GAUGE	24	26	28
A	CABLE DIAMETER	10.54	9.53	8.75
B	MINIMUM OUTER RADIUS	42.00	38.00	35.00
C	FACEPLATE TO OUTER RADIUS	91.86	87.86	84.86

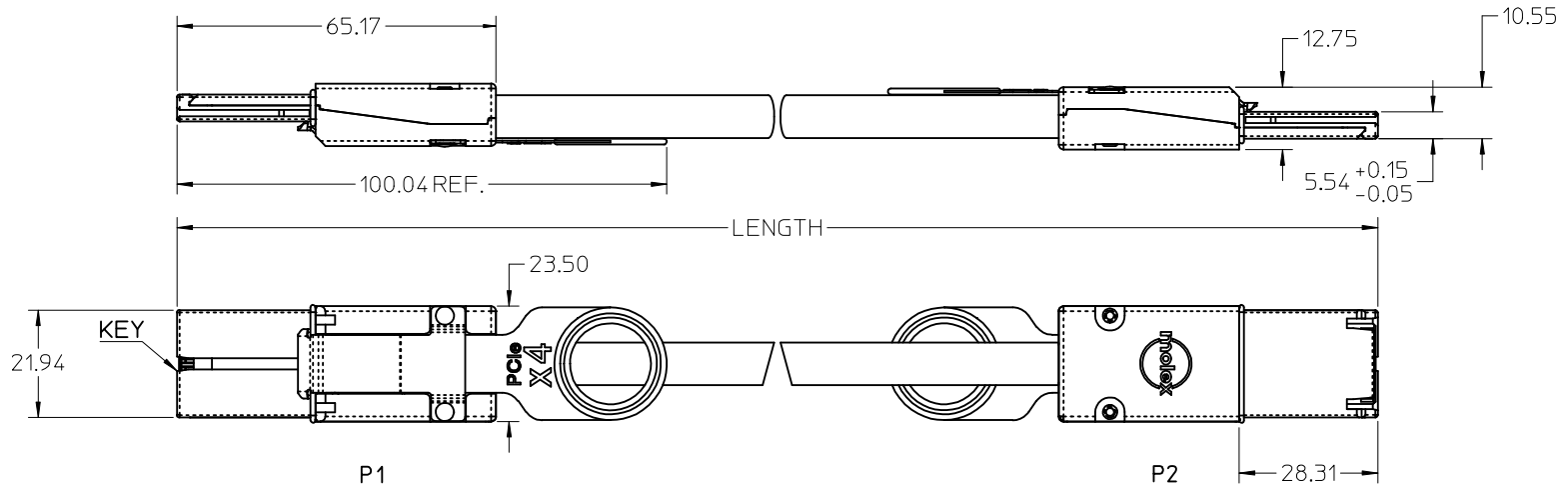
IPASS™ IS A TRADEMARK OF MOLEX

<b>ENTER DESCRIPTION</b> EC NO: USY2007-0491 DRWN: JERWIN CHKD: DDOYE APPR: DDOYE	2008/09/22 2008/09/29 2008/09/30	QUALITY SYMBOLS	GENERAL TOLERANCES (UNLESS SPECIFIED)	DIMENSION STYLE	SCALE	DESIGN UNITS	THIRD ANGLE PROJECTION
		▼=0 ∇=0	mm INCH 4 PLACES ± --- ± --- 3 PLACES ± --- ± --- 2 PLACES ± 0.13 ± --- 1 PLACE ± 0.25 ± --- ANGULAR ± 1/2°	MM ONLY	1:1	METRIC	☉ □ THIRD ANGLE PROJECTION
		DRAWN BY: BREED CHECKED BY: DDOYE APPROVED BY: DDOYE	DATE: 2005/02/02 DATE: 2005/02/02 DATE: 2005/02/02	TITLE: I-PASS X4 CABLE ASSEMBLY GEN 1			
		MATERIAL NO. SEE TABLE SIZE B	DATE: 2005/02/02	MOLEX MOLEX INCORPORATED DOCUMENT NO. SD-74546-400	SHEET NO. 3 OF 3		

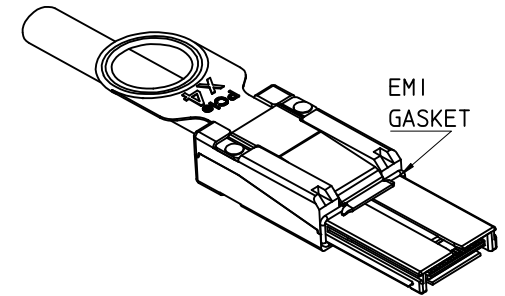
DRAFT WHERE APPLICABLE MUST REMAIN WITHIN DIMENSIONS

SEE TABLE

THIS DRAWING CONTAINS INFORMATION THAT IS PROPRIETARY TO MOLEX INCORPORATED AND SHOULD NOT BE USED WITHOUT WRITTEN PERMISSION



MOLEX P/N	LENGTH	GAGE	TOLERANCE	JACKET RATING
745460400	0.5M	28	0.03M	VW1
745460401	1.0M	28	0.05M	VW1
745460411	1.25M	28	0.05M	VW1
745460402	2.0M	28	0.05M	VW1
745460403	3.0M	28	0.05M	VW1
745460404	4.0M	28	0.10M	VW1
745460405	5.0M	26	0.10M	CL2
745460406	6.0M	26	0.13M	CL2
745460407	7.0M	24	0.13M	CL2
745460408	8.0M $\Delta$	24	0.13M	CL2
745460409	9.0M $\Delta$	24	0.15M	CL2
745460410	10.0M $\Delta$	24	0.15M	CL2
745460415	15.0M $\Delta$	24	0.15M	CL2



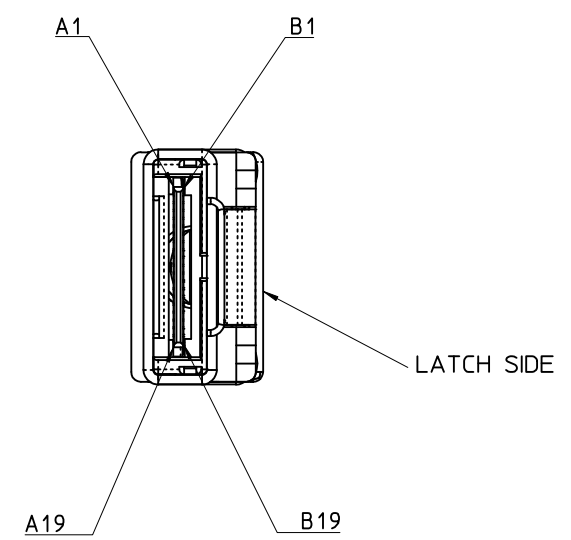
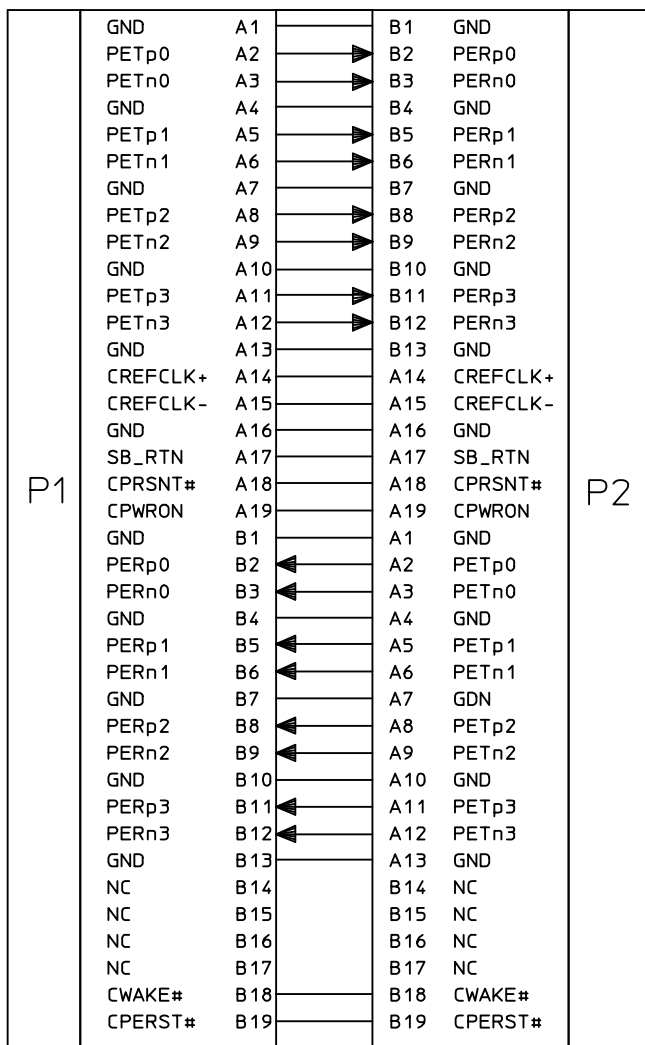
NOTES:

- MATERIAL-  
BACKSHELLS - ZINC DIECAST  
PULL - NYLON  
CABLE JACKET RATING - SEE TABLE
  - LENGTH AND TOLERANCE - SEE TABLE
  - ELECTRICAL PERFORMANCE PER PCI EXPRESS EXTERNAL CABLING SPEC.
  - PLUG MATES TO RECEPTACLE 75586-0010, AND EMI GUIDE HOUSING ASSY.74540-0400
  - THIS PRODUCT MEETS THE RESTRICTION OF HAZARDOUS SUBSTANCES IN ELECTRICAL AND ELECTRONIC EQUIPMENT (RoHS) DIRECTIVE (2002/95/EC).
- $\Delta$ . NOT COMPLIANT WITH INSERTION LOSS SPEC. PER. THE PCIe CABLING SPEC.

I-PASS™ IS A TRADEMARK OF MOLEX

ADDED P/N EC NO: USY2009-0263 DRWN: JERWIN 2009/01/08 CHKD: BSCHOSTER 2009/01/08 APPR: DDOYE 2009/01/12 REV DESCRIPTION	QUALITY SYMBOLS	GENERAL TOLERANCES (UNLESS SPECIFIED)	DIMENSION STYLE	SCALE	DESIGN UNITS	THIRD ANGLE PROJECTION
	$\nabla=0$ $\nabla=0$	mm	MM ONLY	1:1	METRIC	TITLE I-PASS X4 CABLE ASSEMBLY GEN 1 MOLEX INCORPORATED DOCUMENT NO. SD-74546-400 SHEET NO. 1 OF 3
		INCH	MM ONLY	DRAWN BY	DATE	
		4 PLACES ± --- ± ---	3 PLACES ± --- ± ---	2 PLACES ± 0.13 ± ---	1 PLACE ± 0.25 ± ---	
ANGULAR ±1/2°		APPROVED BY		DATE		
DRAFT WHERE APPLICABLE MUST REMAIN WITHIN DIMENSIONS		SEE TABLE				
		MATERIAL NO.				
		SIZE				
THIS DRAWING CONTAINS INFORMATION THAT IS PROPRIETARY TO MOLEX INCORPORATED AND SHOULD NOT BE USED WITHOUT WRITTEN PERMISSION						

10 9 8 7 6 5 4 3 2 1



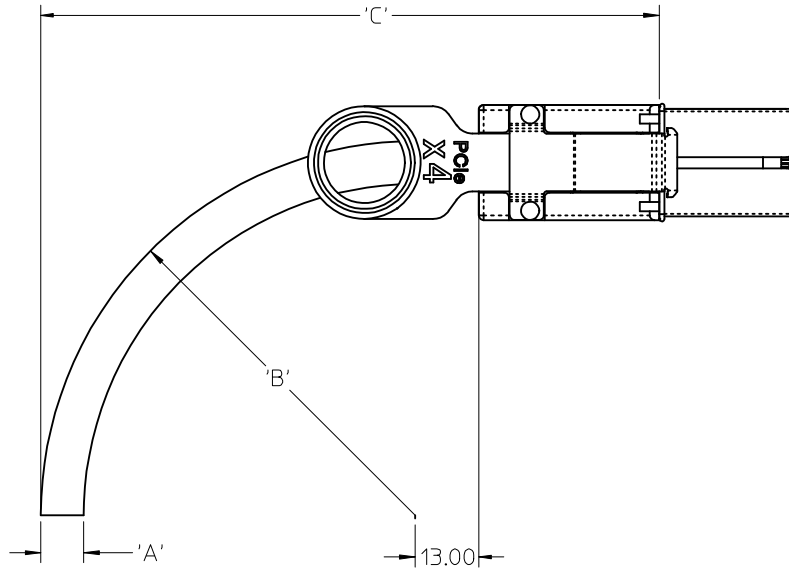
IPASS™ IS A TRADEMARK OF MOLEX

ADDED P/N EC NO: USY2009-0263 DRAWN: JERMIN 2009/01/08 CHKD: HSCHOESTER 2009/01/08 APPR: DDOYE 2009/01/12	DESCRIPTION REV	QUALITY SYMBOLS ▽=0 ▽=0	GENERAL TOLERANCES (UNLESS SPECIFIED)		DIMENSION STYLE MM ONLY		SCALE 1:1	DESIGN UNITS METRIC	THIRD ANGLE PROJECTION	
		4 PLACES ± --- ± ---	mm INCH	DRAWN BY BREED	DATE 2005/02/02	TITLE I-PASS X4 CABLE ASSEMBLY GEN 1				
		3 PLACES ± --- ± ---	2 PLACES ± 0.13 ± ---	CHECKED BY DDOYE	DATE 2005/02/02					
		1 PLACE ± 0.25 ± ---	ANGULAR ± 1/2°	DRAFT WHERE APPLICABLE MUST REMAIN WITHIN DIMENSIONS		APPROVED BY DDOYE	DATE 2005/02/02	MATERIAL NO. SEE TABLE	DOCUMENT NO. SD-74546-400	SHEET NO. 2 OF 3

**MOLEX INCORPORATED**

THIS DRAWING CONTAINS INFORMATION THAT IS PROPRIETARY TO MOLEX INCORPORATED AND SHOULD NOT BE USED WITHOUT WRITTEN PERMISSION

9 8 7 6 5 4 3 2 1



CABLE GAUGE	24	26	28
A CABLE DIAMETER	10.54	9.53	8.75
B MINIMUM OUTER RADIUS	42.00	38.00	35.00
C FACEPLATE TO OUTER RADIUS	91.86	87.86	84.86

IPASS™ IS A TRADEMARK OF MOLEX

<b>ADDED P/N</b> EC NO: USY2009-0263 DRWN: JERWIN 2009/01/08 CHKD: BSCHOESTER 2009/01/08 APPR: DDOYE 2009/01/12	QUALITY SYMBOLS ▽=0 ▽=0	GENERAL TOLERANCES (UNLESS SPECIFIED) mm INCH 4 PLACES ± --- ± --- 3 PLACES ± --- ± --- 2 PLACES ± 0.13 ± --- 1 PLACE ± 0.25 ± --- ANGULAR ± 1/2°	DIMENSION STYLE <b>MM ONLY</b> DRAWN BY BREED DATE 2005/02/02 CHECKED BY DDOYE DATE 2005/02/02 APPROVED BY DDOYE DATE 2005/02/02	SCALE 1:1 DESIGN UNITS METRIC THIRD ANGLE PROJECTION	TITLE <b>I-PASS                  X4 CABLE ASSEMBLY                  GEN 1</b>	
		DRAFT WHERE APPLICABLE MUST REMAIN WITHIN DIMENSIONS	MATERIAL NO. SEE TABLE	DOCUMENT NO. SD-74546-400	SHEET NO. 3 OF 3	
			SIZE B	THIS DRAWING CONTAINS INFORMATION THAT IS PROPRIETARY TO MOLEX INCORPORATED AND SHOULD NOT BE USED WITHOUT WRITTEN PERMISSION		