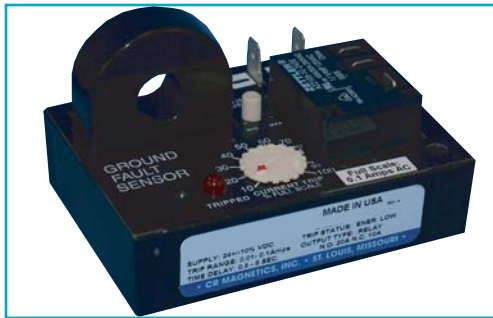


CR7310 Series



OUTPUT OPTIONS

The Relay is available with three different output configurations, electromechanical relay, optoisolated NPN transistor or zero-crossing optoisolated triac. Specify desired selection in part number.

RELAY (-ELR)

Arrangement: 1 Form C (SPDT)
 Contact Material: Silver-cadmium oxide
 Terminals: 3 1/4" Male QC
 Mechanical Life: 10 million operations, typ. @ rated load
 Electrical Life: 100,000 operations, typ. @ rated load
 Initial Contact Resistance: 50 milliohms max. @ 500 mA, 12 VDC
 Contact Rating: UL508/873 & CSA

DC SWITCHING (-NPN)

Vce (full off): 30 VDC max.
 Isink (full on): 120 mADC max. @ rated full-on
 Vce (full on): 1.5 VDC @ 120 mADC Isink
 Off state leakage current: 5ua @ 30 VDC (typical)
 Terminals: 2 1/4" Male Q C

AC SWITCHING (-TRC)

Off state voltage: 240 VAC RMS max.
 Minimum switch voltage: 24 VAC RMS
 On state current: 500 mA RMS max. continuous
 Switching mode: Zero crossing
 Off state leakage: 60 ua @ 240 VAC max.
 Terminals: 2 @ 1/4" Male QC

The **CR7310** Series, Ground Fault Sensor provides a reliable and cost effective method for sensing ground faults. The current-carrying wires are routed through the opening extending from the top of the case. When ground current reaches the level set by the trip point adjustment, the relay trips, illuminates the tripped LED and provides an output signal. A precision voltage reference circuit ensures a highly repeatable trip point. The Sensor is rated as a Class 1 device.

Applications

Monitor Motor Ground Faults
 Sense Early Failure of Heater Elements
 Equipment Protection

Features

Variable Trip Point
 Monitors Currents from 10 mA to 100 AC Amps
 Electrical Isolation Between Circuits
 Output Relay Rated up to 20 Amps
 LED Trip Status Indicator
 Dead Band Prevents Relay Chatter
 Calibrated Dial
 External Current Transformers Available

Specifications

Mounting:
 3/16" dia. clearance holes on 1 15/16" by 2 15/16" centers
 Environmental:
 Operating Temperature: -30° C to +70° C
 Storage Temperature: -55° C to +85° C
 0-95% RH, Non-condensing
 Input Supply Power:
 Typical 80mA Max 100mA
 Sensed Current:
 Max. Continuous: 200% Full Scale
 Frequency: 50-400 Hz *
 *All specifications for operation at 60 Hz only
 Weight 0.5 LBS.

Regulatory Agencies

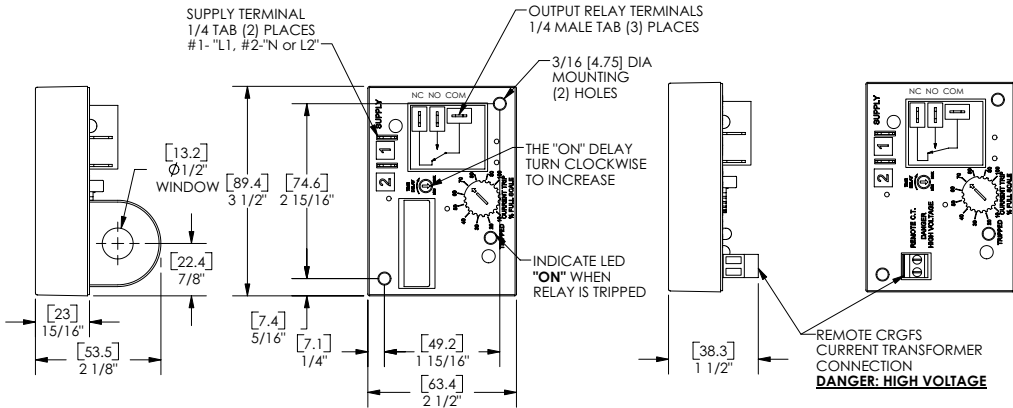


E211244

VOLTAGE	LOAD TYPE	N.O. CONTACT	N.C. CONTACT
240 VAC	Resistive	20A	10A
240 VAC	Motor	2HP	1/2 HP
125 VAC	Motor	1HP	1/4 HP
28 VDC	Resistive	20A	10A



OUTLINE DRAWING

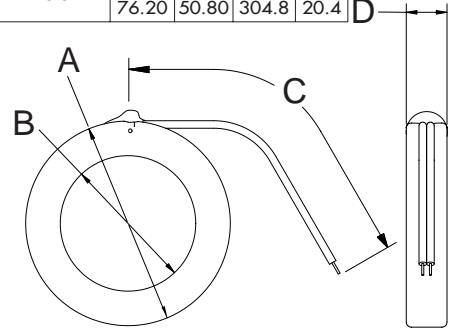


Top view of Current Sensing Relay

Shown with Remote Current Transformer Option (-R)

CR7310 Series

CRGFS	A	B	C	D
-100	2.88	1.60	12	0.79
	73.16	40.58	304.8	20.07
-200	3.00	2.00	12	0.60
	76.20	50.80	304.8	20.4



Remote Current Transformers CRGFS - Series

PART NUMBER

CR7310	-	-	-	-	-	-	-	-	-	-	-	-	-	-	-	-	-	-	-	-
---------------	---	---	---	---	---	---	---	---	---	---	---	---	---	---	---	---	---	---	---	---

TRIP STATUS
EH - Energized on High, trips when sense current is above trip point and returns to non-trip status when sense current is below the trip point.
EL - Energized on Low, trips when sense current is below trip point and returns to non-trip status when sense current is above the trip point.
LH - Latch on High, trips when sense current is above trip point and remains tripped until supply power is removed.
LL - Latch on Low, trips when sense current is below trip point and remains tripped until supply power is removed.

SUPPLY VOLTAGE
AC
120 - 120 VAC
240 - 240 VAC
DC
24D - 24 VDC
 All supply voltage tolerances are $\pm 10\%$

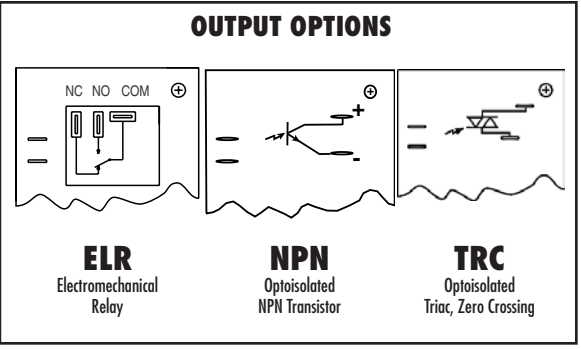
TRIP RANGE
.011 - .01 to 0.1 AAC
.11 - 0.1 to 1.0 AAC
110 - 1.0 to 10 AAC
330 - 3.0 to 30 AAC
660 - 6.0 to 60 AAC
101 - 10 to 100 AAC
 The trip ranges shown are for one wire pass through the window opening. The trip range may be proportionally lowered with additional wire passes through the window.

TRIP ON DELAY
A - .5 to 6 Sec.
B - 2 to 25 Sec.
C - .1 to 1 Sec.
X - none
 Time-on delay is the time from when the relay trips to when the output energizes. The ranges are guaranteed minimum, actual range may be slightly greater.

TRIP POINT DIAL
CD - Calibrated Dial
FP - Fixed Trip Point
 (Specify value of fixed trippoint with order)

 No adjustment dial provided with the fixed set point option
- CD **- FP**
3.30 trip range shown

I - INTERNAL TRANSFORMER
R - REMOTE TRANSFORMER



CRGFS - [] [] [] EXTERNAL CURRENT SENSING RING TRANSFORMER

100 - 1.60 dia. Window
200 - 2.00 dia. Window



Relays and Switches