

4

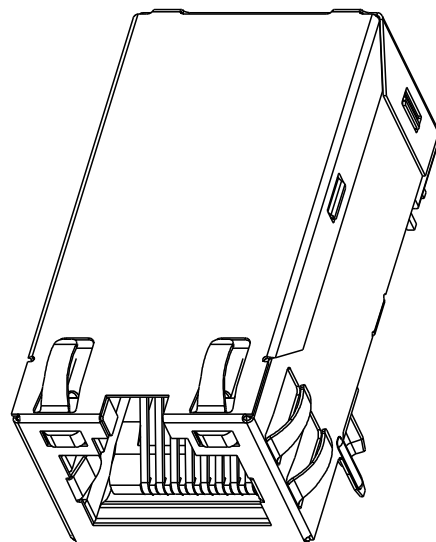
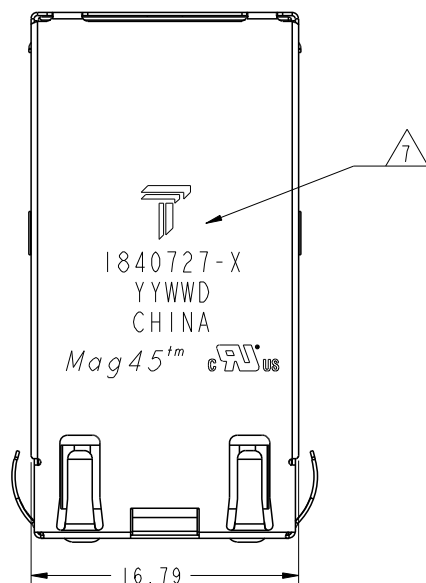
3

2

1

© COPYRIGHT TRP connector ALL RIGHTS RESERVED

REVISIONS					
P	LTR	DESCRIPTION	DATE	DWN	APVD
	C	LOGO CHANGE	24APR2013	TY	KZ



- 1 MATERIALS
 HOUSING: THERMOPLASTIC, BLACK, FLAMMABILITY RATING UL 94V-0
 SHIELD: BRASS, 0.20mm THICK
 PREPLATED WITH MIN 0.76um SEMI-BRIGHT NICKEL
 POST DIPPED WITH 2.54um MIN SAC SOLDER AT GROUND PINS.
 CONTACT: PHOSPHOR BRONZE, 0.46mmX0.25mm
 WITH 1.27um MIN OVERALL NICKEL UNDERPLATE AND
 SELECTIVE 1.27um MIN GOLD PLATING AT MATING INTERFACE
 SOLDER TAIL: COPPER CLADDED STEEL, 0.50mm SQUARE
 PLATED WITH 2.54um MIN MATTE TIN
 LIGHT PIPE: POLYCARBON, TRANSPARENT, RATING UL 94V-0
 LED: DIFFUSED EPOXY LENS, 0.50mm SQUARE CARBON STEEL WIREFRAME LEADS
 PREPLATED WITH 2.03um MIN SILVER OVER 1.02um MIN NICKEL
 OVER 1.02um MIN COPPER UNDERPLATE
 POST PLATED WITH 2.54um MIN TIN

- 2 MAGNETICS
 -APPLICATION: 10/100/1000 BASE-T
 -IMPEDANCE: 100 OHMS
 -TURNS RATIO (CHIP:CABLE): 1:1 ALL FOUR PAIRS
 -OPEN CIRCUIT INDUCTANCE (OCL): 350uH MIN @100kHz, 0.1VRMS,
 8mADC BIAS FROM 0°C TO 70°C, ALL FOUR PAIRS
 -ALL FOUR PAIRS BJ-DIRECTIONAL
 -PERFORMANCE @ 25°C:
 INSERTION LOSS (IL): 1.1dB MAX FROM 0.5MHz TO 100MHz
 RETURN LOSS (RL): 18dB MIN FROM 0.5MHz TO 40MHz
 12-20LOG(f/80)dB MIN FROM 40.1MHz TO 100MHz
 CROSSTALK ATTENUATION: 35dB MIN FROM 0.5MHz TO 40MHz
 33-20LOG(f/50)dB MIN FROM 40.1MHz TO 100MHz
 COMMON MODE REJECTION RATIO (CMRR): 30dB MIN FROM 0.5MHz TO 100MHz
 -ISOLATION VOLTAGE: 2250 VDC FOR 60 SECONDS DURATION.

3 THE MAGNETICS ARE SYMMETRICAL AND SUPPORT AUTO-MDIX OPERATION.

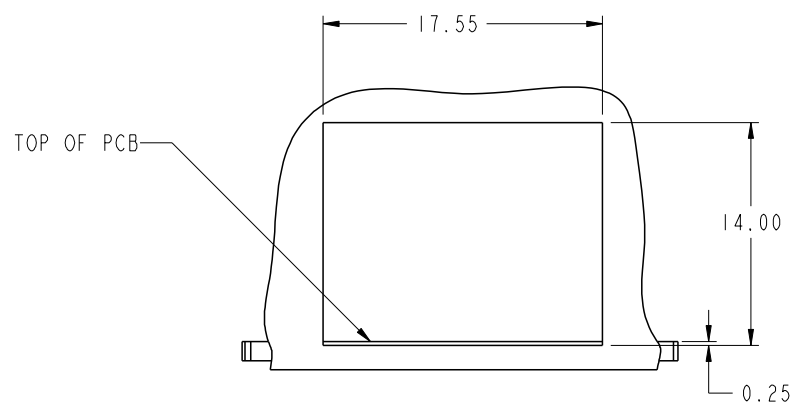
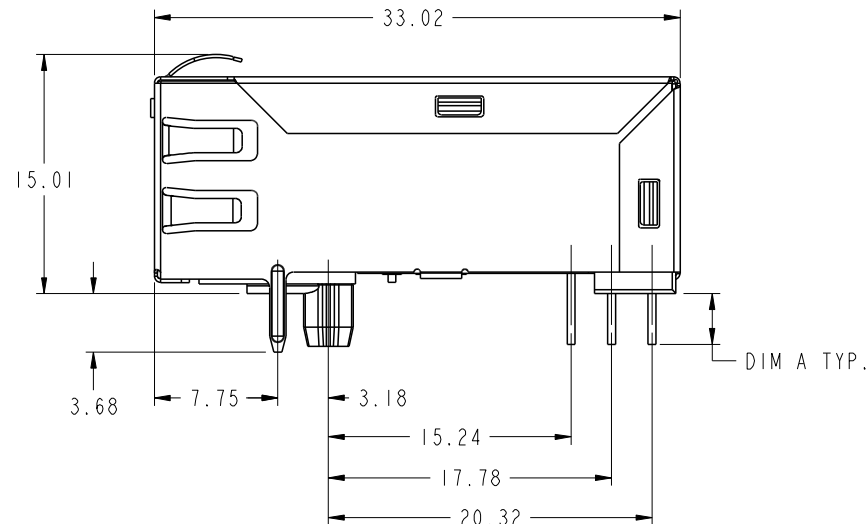
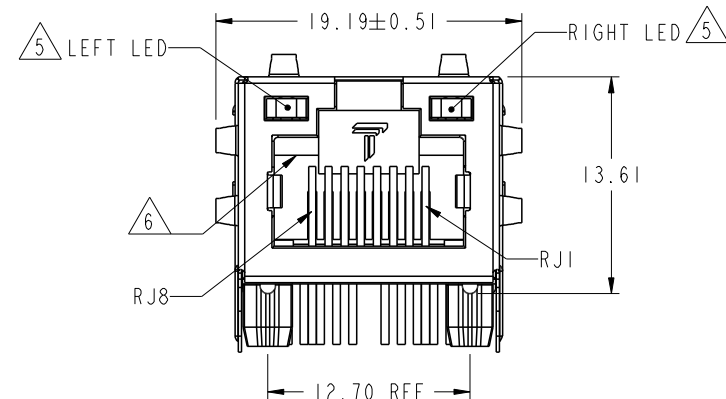
4. OPERATING TEMPERATURE: 0°C ~ 70°C

5 LEDS ARE DRIVEN WITH CONSTANT CURRENT AT APPROX 20mA.
 LED COLOR: DOMINANT WAVELENGTH (λD): GREEN 568 nm TYP. at IF=20mA
 FORWARD VOLTAGE (VF): GREEN 2.2V TYP. at IF=20mA
 DOMINANT WAVELENGTH (λD): YELLOW 588 nm TYP. at IF=20mA
 FORWARD VOLTAGE (VF): YELLOW 2.1V TYP. at IF=20mA
 DOMINANT WAVELENGTH (λD): ORANGE 605 nm TYP. at IF=20mA
 FORWARD VOLTAGE (VF): ORANGE 2.1V TYP. at IF=20mA

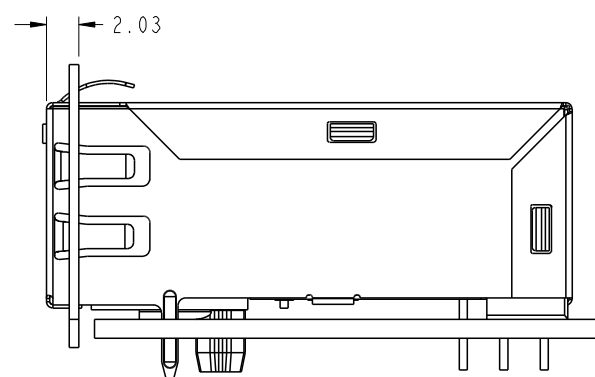
6 RJ45 CAVITY CONFORMS TO FCC RULES AND REGULATION PART 68 SUBPART F.

7 TRP CONNECTOR LOGO, PART NUMBER, DATE CODE, COUNTRY OF ORIGIN AND AGENCY LOGO TO BE MARKED IN APPROPRIATE LOCATION SHOWN.

8. THESE PARTS ARE RECOMMENDED FOR WAVE SOLDERING PROCESS, PREHEAT TEMPERATURE IS 120°C TO 160°C, 120 SECONDS TO 180 SECONDS, PEAK WAVE SOLDERING TEMPERATURE IS 260°C MAX, 10 SECONDS MAX.



SUGGESTED PANEL CUTOUT VS CUSTOMER BOARD

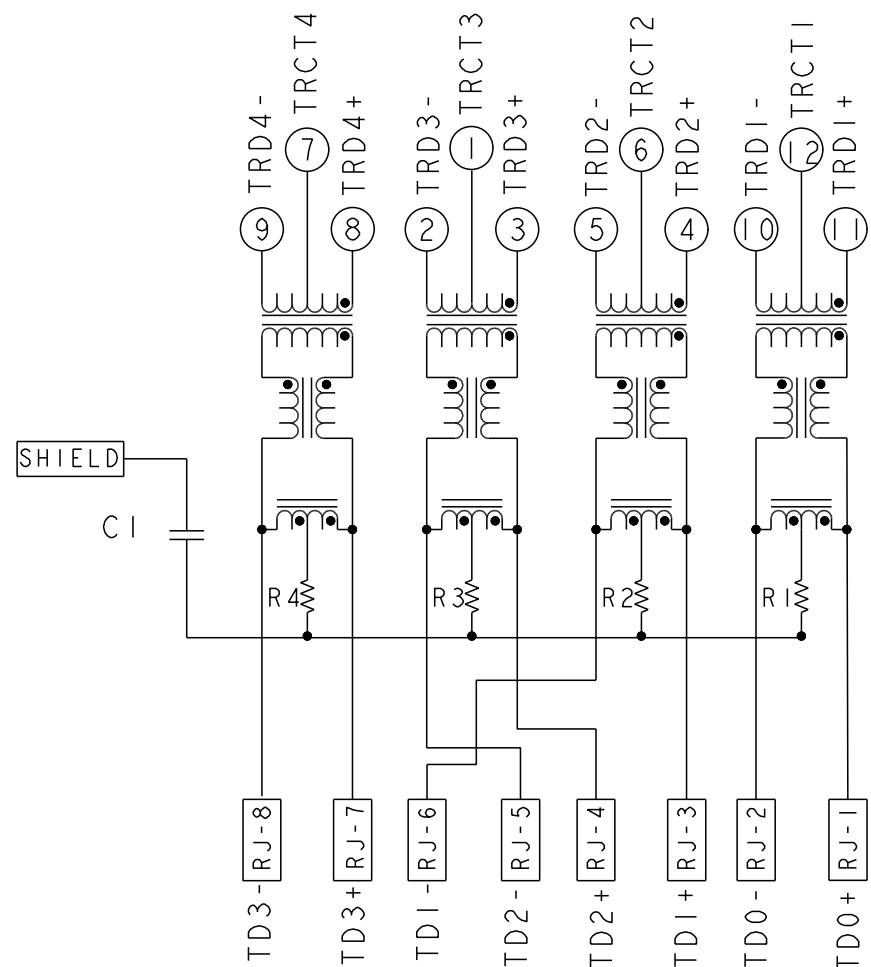


CONNECTOR ASSEMBLED TO PANEL AND PCB

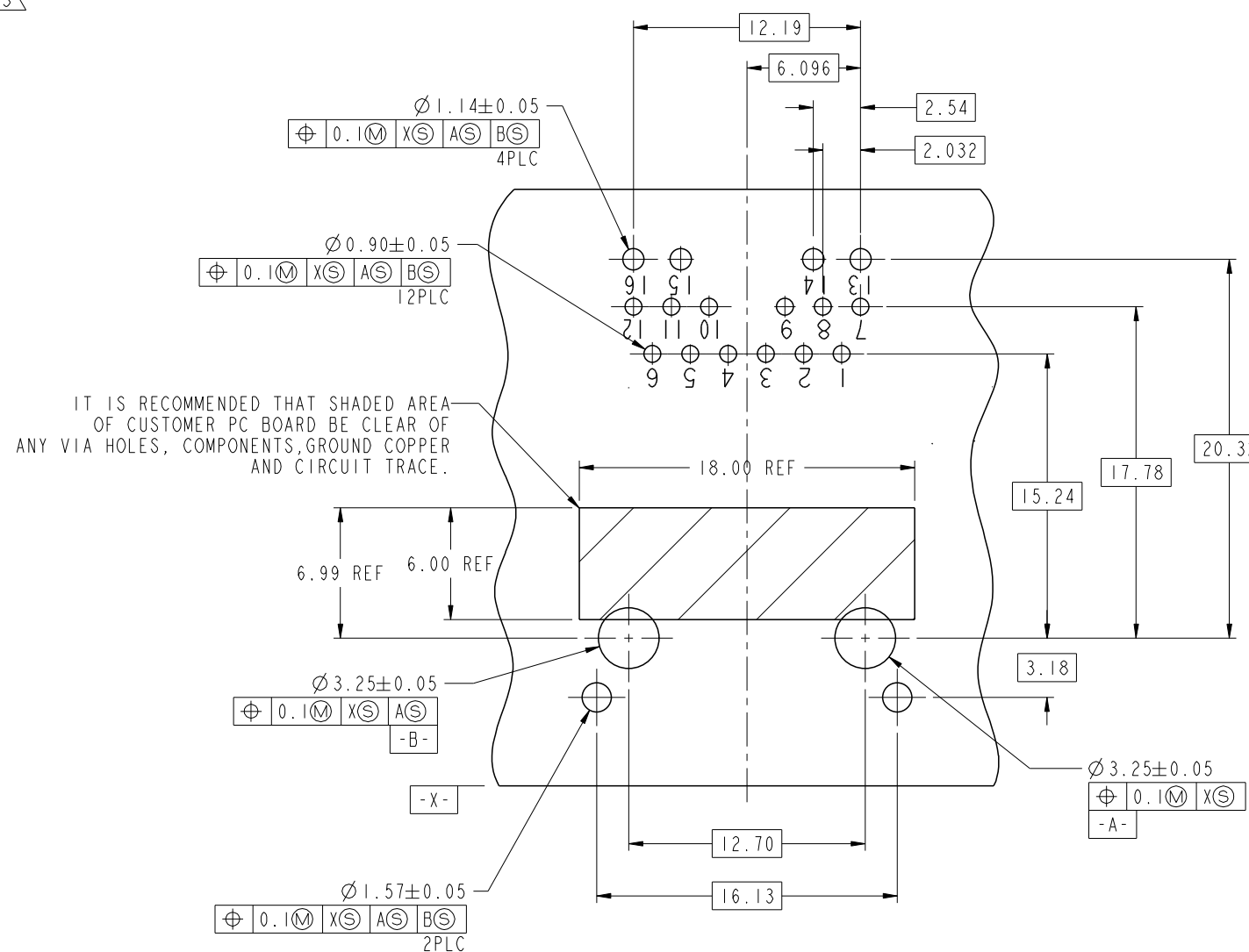
GREEN	GREEN/ORANGE	I-1840727-8
GREEN	GREEN/YELLOW	I-1840727-6
GREEN/ORANGE	YELLOW	I-1840727-3
YELLOW	GREEN	1840727-9
GREEN	GREEN	1840727-7
GREEN/YELLOW	GREEN/YELLOW	1840727-6
LEFT LED 5	RIGHT LED 5	PART NUMBER

THIS DRAWING IS A CONTROLLED DOCUMENT.		DWN	JALU XU	30-NOV-06	TRP connector Dongguan China	
DIMENSIONS: mm		CHK	KEITH ZHU	30-NOV-06	NAME 1X1 MAG45(TM) MODULAR JACK IG27 GIGABIT, SHIELDED, LEDS	
TOLERANCES UNLESS OTHERWISE SPECIFIED: 0 PLC ±0.25 1 PLC ±0.25 2 PLC ±0.25 3 PLC ±0.25 4 PLC ±0.25 ANGLES ± FINISH		APVD	TEDDY XIONG	30-NOV-06	SIZE	A2
MATERIAL SEE NOTE 1		PRODUCT SPEC	108-2100	APPLICATION SPEC	DRAWING NO	RESTRICTED TO
SEE NOTE 1		WEIGHT	-	SCALE	NTS	SHEET 1 OF 2 REV C
		CUSTOMER DRAWING				

IG27 GIGABIT CIRCUIT

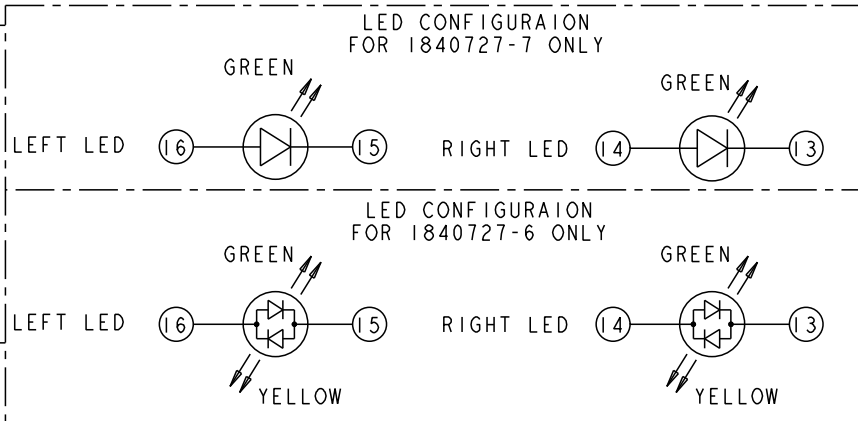
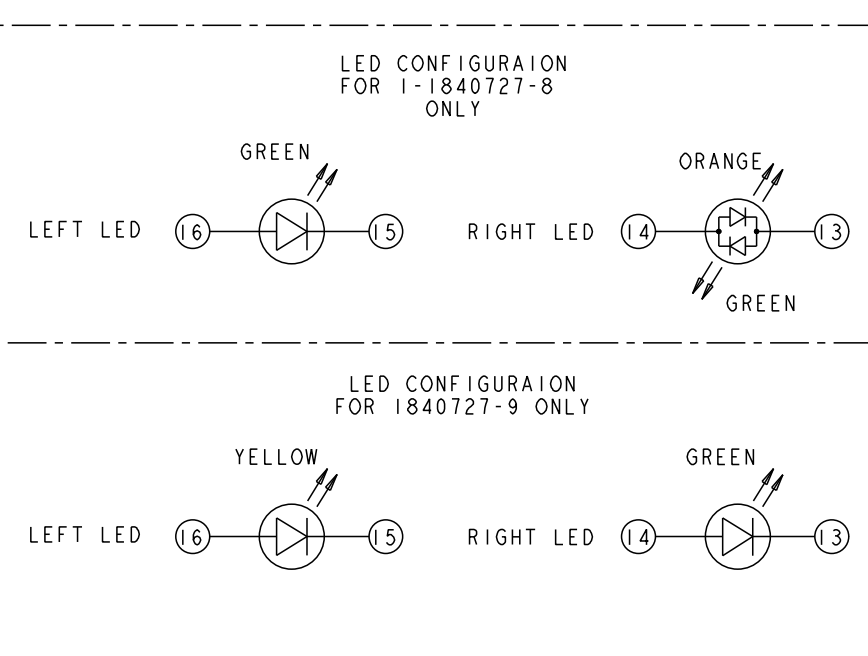
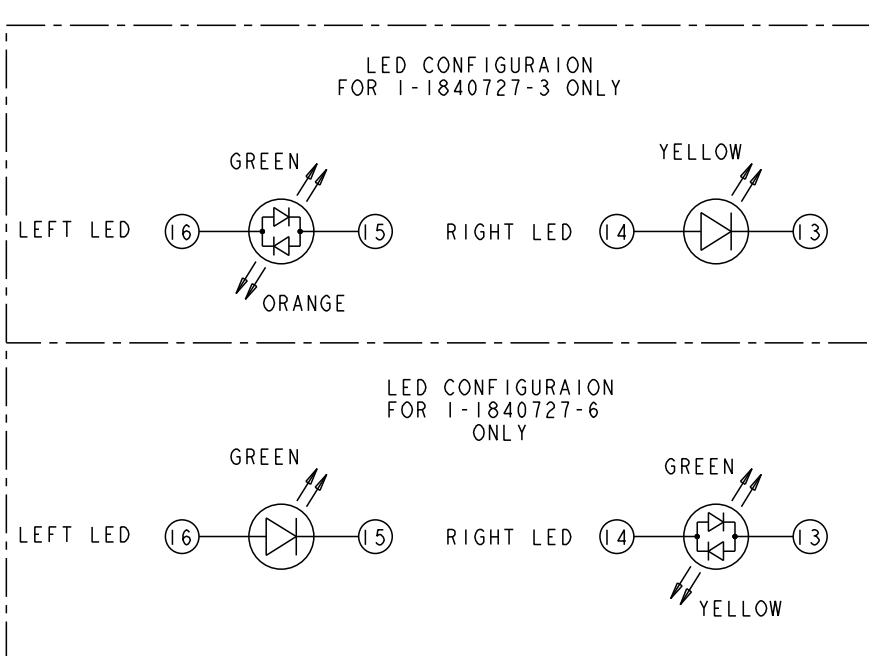


CI = 1000 pF, 2kV, DECOUPLING CAPACITOR
 R1 - R4 = 75 Ohms, 1/16W, 5% RESISTORS



IT IS RECOMMENDED THAT SHADED AREA OF CUSTOMER PC BOARD BE CLEAR OF ANY VIA HOLES, COMPONENTS, GROUND COPPER AND CIRCUIT TRACE.

SUGGESTED CUSTOMER PCB COMPONENT SIDE
 SCALE 2:1



THIS DRAWING IS A CONTROLLED DOCUMENT.		DWN JALU XU 30-NOV-06	 TRP connector Dongguan China
DIMENSIONS: mm		CHK KEITH ZHU 30-NOV-06	
TOLERANCES UNLESS OTHERWISE SPECIFIED:		APVD TEDDY XIONG 30-NOV-06	
0 PLC ±0.25 1 PLC ±0.25 2 PLC ±0.25 3 PLC ±0.25 4 PLC ±0.25 ANGLES ± FINISH		PRODUCT SPEC 108-2100 APPLICATION SPEC WEIGHT MATERIAL SEE NOTE 1	
MATERIAL SEE NOTE 1		NAME 1X1 MAG45(TM) MODULAR JACK IG27 GIGABIT, SHIELDED, LEDS	RESTRICTED TO
SEE NOTE 1		SIZE A2	CAGE CODE C=1840727
CUSTOMER DRAWING		SCALE NTS	SHEET 2 OF 2 REV C