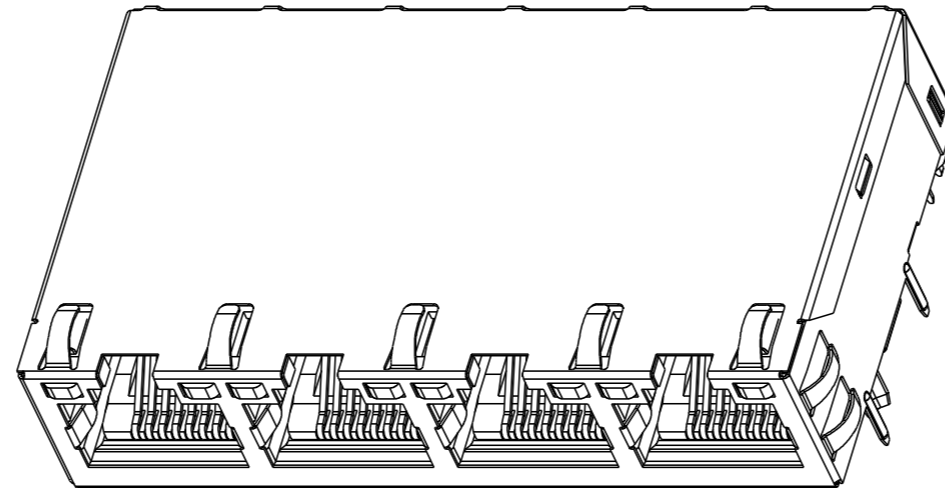
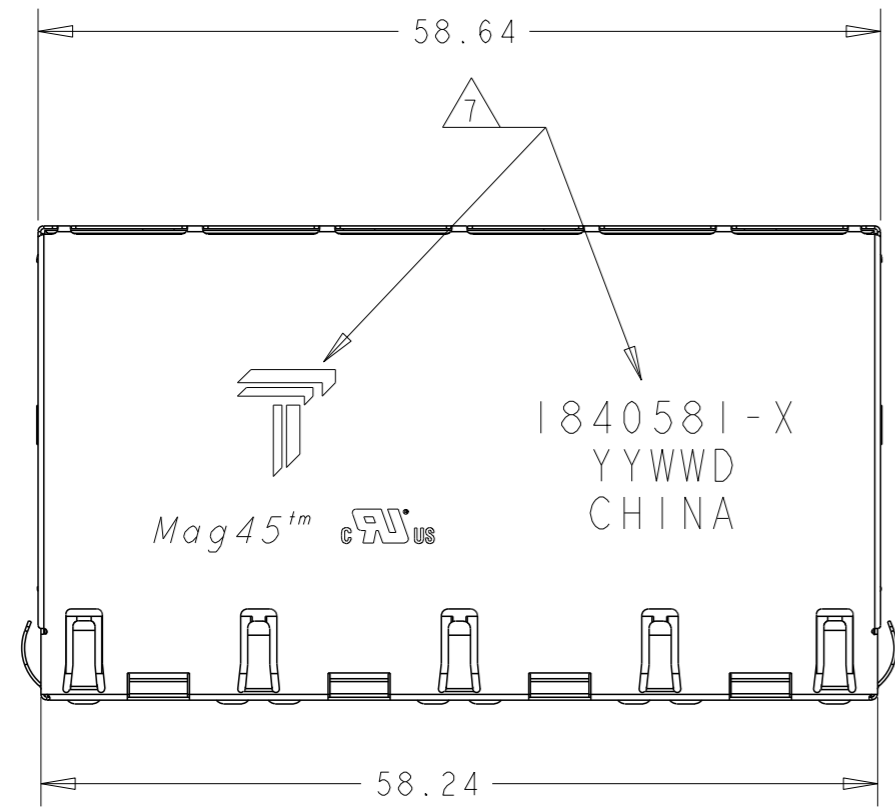


REVISIONS				
P	LTR	DESCRIPTION	DATE	APVD
D		LOGO CHANGE	11APR2013	RL KZ



SCALE 2:1

1 MATERIALS
 HOUSING: THERMOPLASTIC, BLACK, FLAMMABILITY RATING UL 94V-0
 SHIELD: BRASS, 0.20mm THICK, PREPLATED WITH MIN 0.76um SEMI-BRIGHT NICKEL POST DIPPED WITH 2.54um MIN SAC SOLDER AT GROUND PINS.
 CONTACT: PHOSPHOR BRONZE, 0.46mm X 0.25mm WITH 1.27um MIN OVERALL NICKEL UNDERPLATE AND SELECTIVE 1.27um MIN GOLD PLATING AT MATING INTERFACE
 SOLDER TAIL: 0.25mm THICK, PHOSPHOR BRONZE, 1.27um MIN OVERALL NICKEL UNDERPLATE, 3um MIN TIN PLATE
 LIGHT PIPE: POLYCARBON, TRANSPARENT, RATING UL 94V-0
 LED: DIFFUSED EPOXY LENS, CARBON STEEL WIREFRAME LEADS PREPLATED WITH 2.03um MIN SILVER OVER 1.02um MIN NICKEL UNDERPLATE OVER 1.02um MIN COPPER UNDERPLATE; POST PLATED WITH 2.54um MIN MATTE TIN.

2 MAGNETICS
 -APPLICATION: 10/100/1000 BASE-T
 -IMPEDANCE: 100 OHMS
 -TURNS RATIO (CHIP:CABLE): 1:1 ALL FOUR PAIRS
 -OPEN CIRCUIT INDUCTANCE (OCL): 350uH MIN @100kHz, 0.1VRMS, 8mA DC BIAS FROM 0°C TO 70°C, ALL FOUR PAIRS
 -ALL FOUR PAIRS BI-DIRECTIONAL
 -PERFORMANCE @ 25°C:
 INSERTION LOSS (IL): 1.1dB MAX FROM 0.5MHz TO 100MHz
 RETURN LOSS (RL): 18dB MIN FROM 0.5MHz TO 40MHz
 12-20LOG(f/80)dB MIN FROM 40.1MHz TO 100MHz
 CROSSTALK ATTENUATION: 35dB MIN FROM 0.5MHz TO 40MHz
 33-20LOG(f/50)dB MIN FROM 40.1MHz TO 100MHz
 COMMON MODE REJECTION RATIO (CMRR): 30dB MIN FROM 0.5MHz TO 100MHz
 -ISOLATION VOLTAGE: 2250VDC (MAX) FOR 60 SECONDS WITH A RISE TIME OF 500V/SEC AND WITH ALL PORTS CONNECTED.

3 THE MAGNETIC CIRCUIT ON ALL FOUR CHANNELS IS SYMMETRICAL AND SUPPORTS AUTO-MDIX OPERATION.

4. OPERATING TEMPERATURE: 0°C ~ 70°C

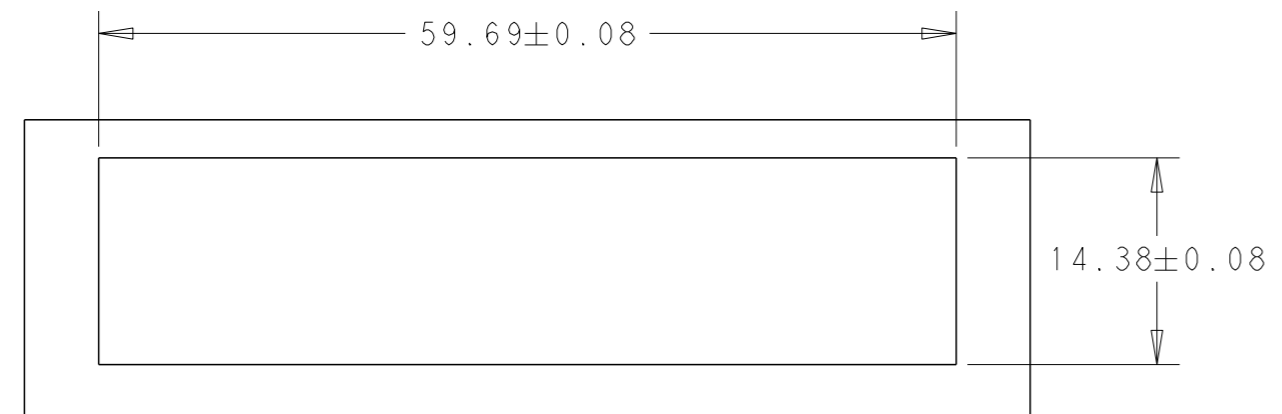
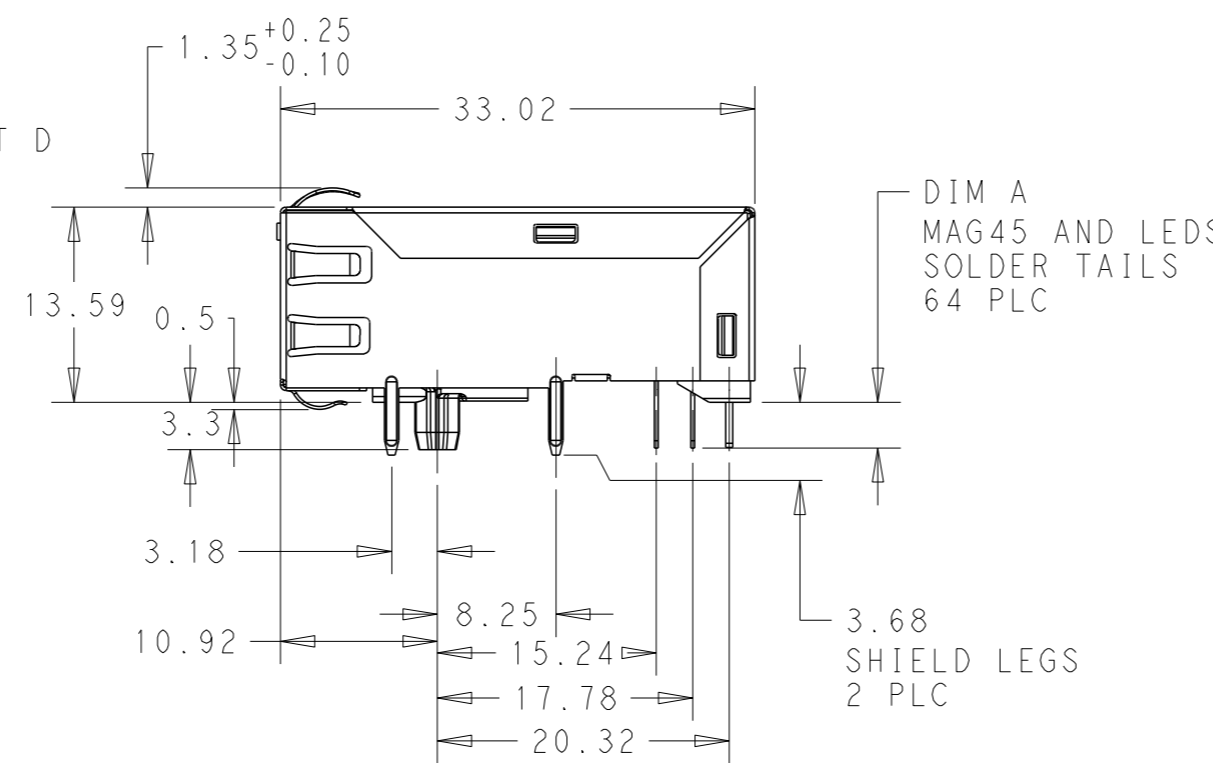
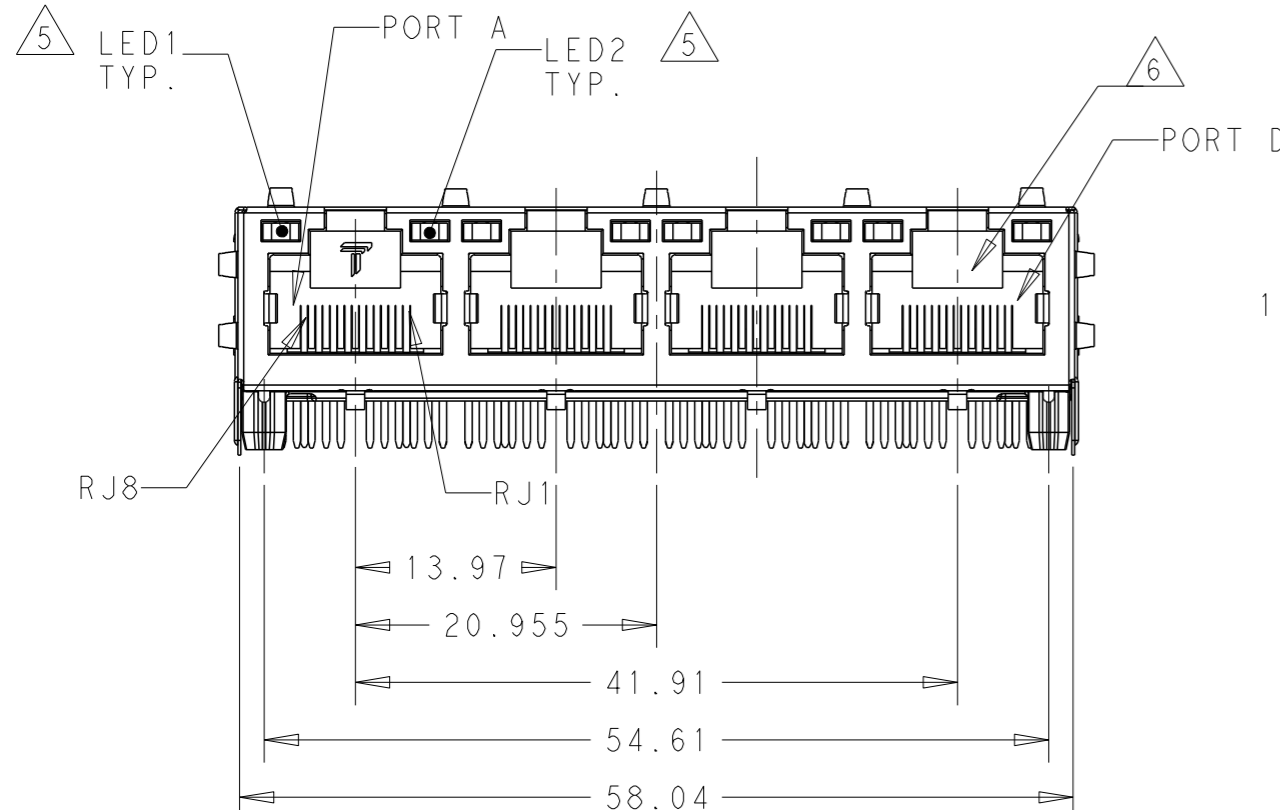
5 LEDS ARE DRIVEN WITH CONSTANT CURRENT AT APPROX 20mA.
 LED COLOR: DOMINANT WAVELENGTH (λD): GREEN 568 nm TYP. at IF=20mA
 FORWARD VOLTAGE (VF): GREEN 2.2V TYP. at IF=20mA
 DOMINANT WAVELENGTH (λD): YELLOW 588 nm TYP. at IF=20mA
 FORWARD VOLTAGE (VF): YELLOW 2.1V TYP. at IF=20mA
 DOMINANT WAVELENGTH (λD): ORANGE 610 nm TYP. at IF=20mA
 FORWARD VOLTAGE (VF): ORANGE 2.1V TYP. at IF=20mA

6 RJ45 CAVITY CONFORMS TO FCC RULES AND REGULATION PART 68 SUBPART F.

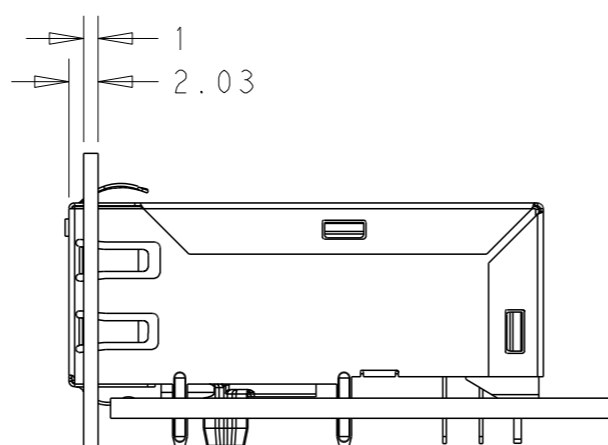
7 TRP CONNECTOR LOGO, PART NUMBER, DATE CODE, COUNTRY OF ORIGIN, AGENCY APPROVAL MARKING IN APPROPRIATE LOCATION SHOWN.
 DATE CODE: YYWWD "YY" IS YEAR, "WW" IS WORK WEEK, "D" IS DAY OF WEEK, WITH SUNDAY=1.

8. THESE PARTS ARE RECOMMENDED FOR WAVE SOLDERING PROCESS, PEAK WAVE SOLDERING TEMPERATURE IS 260°C, 10sec MAX.

9. 1-1840581-7 SHOWN UNLESS OTHERWISE NOTE



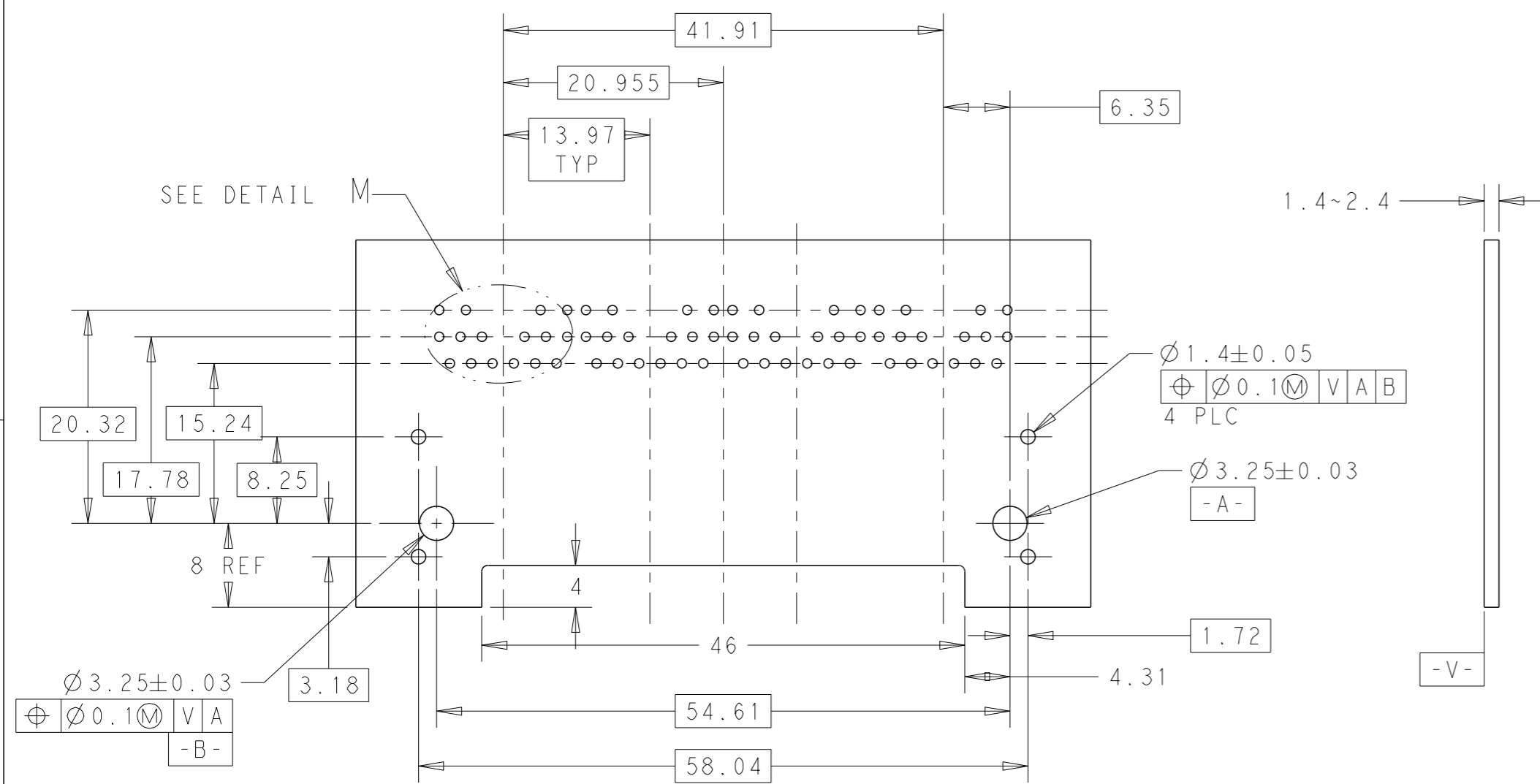
SUGGESTED PANEL CUTOUT SCALE 2:1



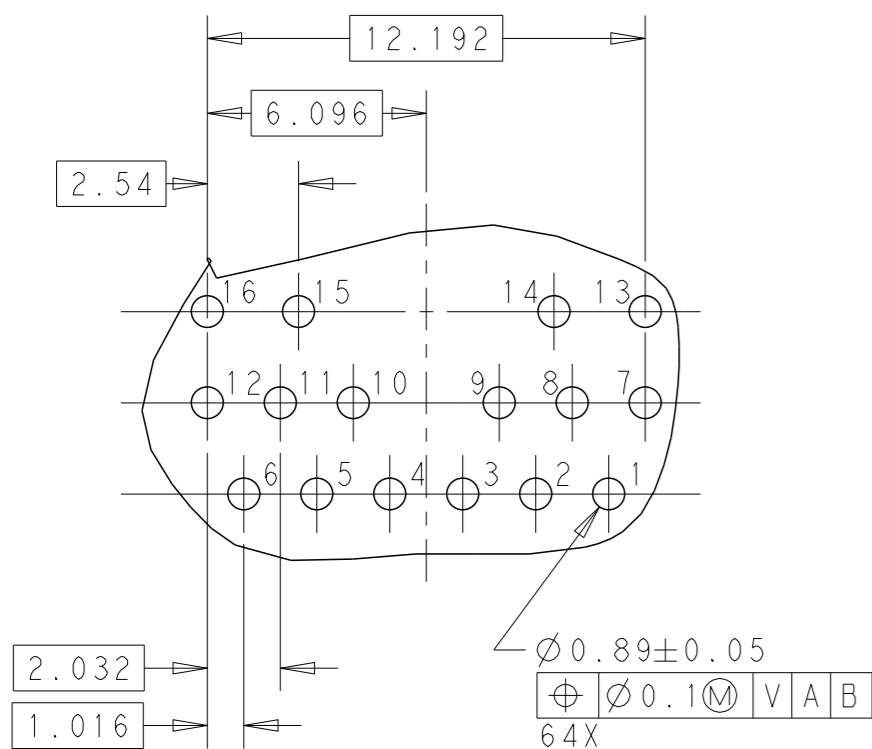
CONNECTOR ASSEMBLED TO PANEL AND PCB SCALE 2:1

DIM A	LED2	LED 1	PART NUMBER
3.80	GREEN/YELLOW	GREEN/YELLOW	1840581-6
3.18	YELLOW	GREEN/ORANGE	1-1840581-3
2.84	GREEN	GREEN	1840581-7
3.18	GREEN/ORANGE	GREEN/ORANGE	1-1840581-7

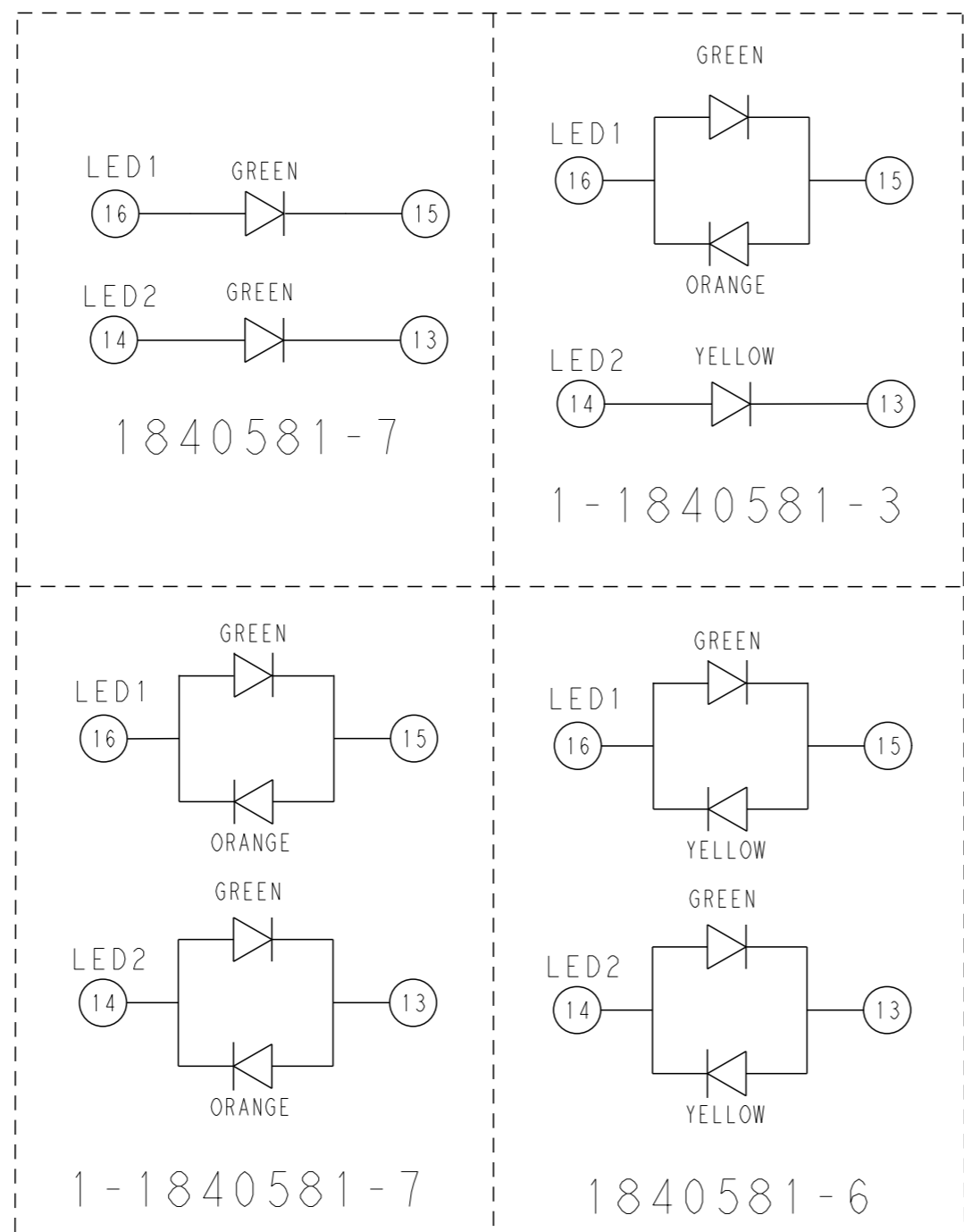
THIS DRAWING IS A CONTROLLED DOCUMENT.		DWN TOWER YU 18NOV2009	TRP connector Dongguan China	
DIMENSIONS: mm		CHK KEITH ZHU 18NOV2009		
TOLERANCES UNLESS OTHERWISE SPECIFIED:		APVD KEITH ZHU 18NOV2009		
0 PLC ±0.25 1 PLC ±0.25 2 PLC ±0.25 3 PLC ±0.25 4 PLC ±0.25 ANGLES FINISH ±		PRODUCT SPEC 108-104004		
MATERIAL 1		APPLICATION SPEC	NAME 1X4 MAG45(TM), 7G41 GIGABIT CIRCUIT, WITH LEDS	RESTRICTED TO
		SIZE A2	DRAWING NO C=1840581	
		WEIGHT -	SCALE NTS	SHEET 1 OF 2
		CUSTOMER DRAWING	REV D	



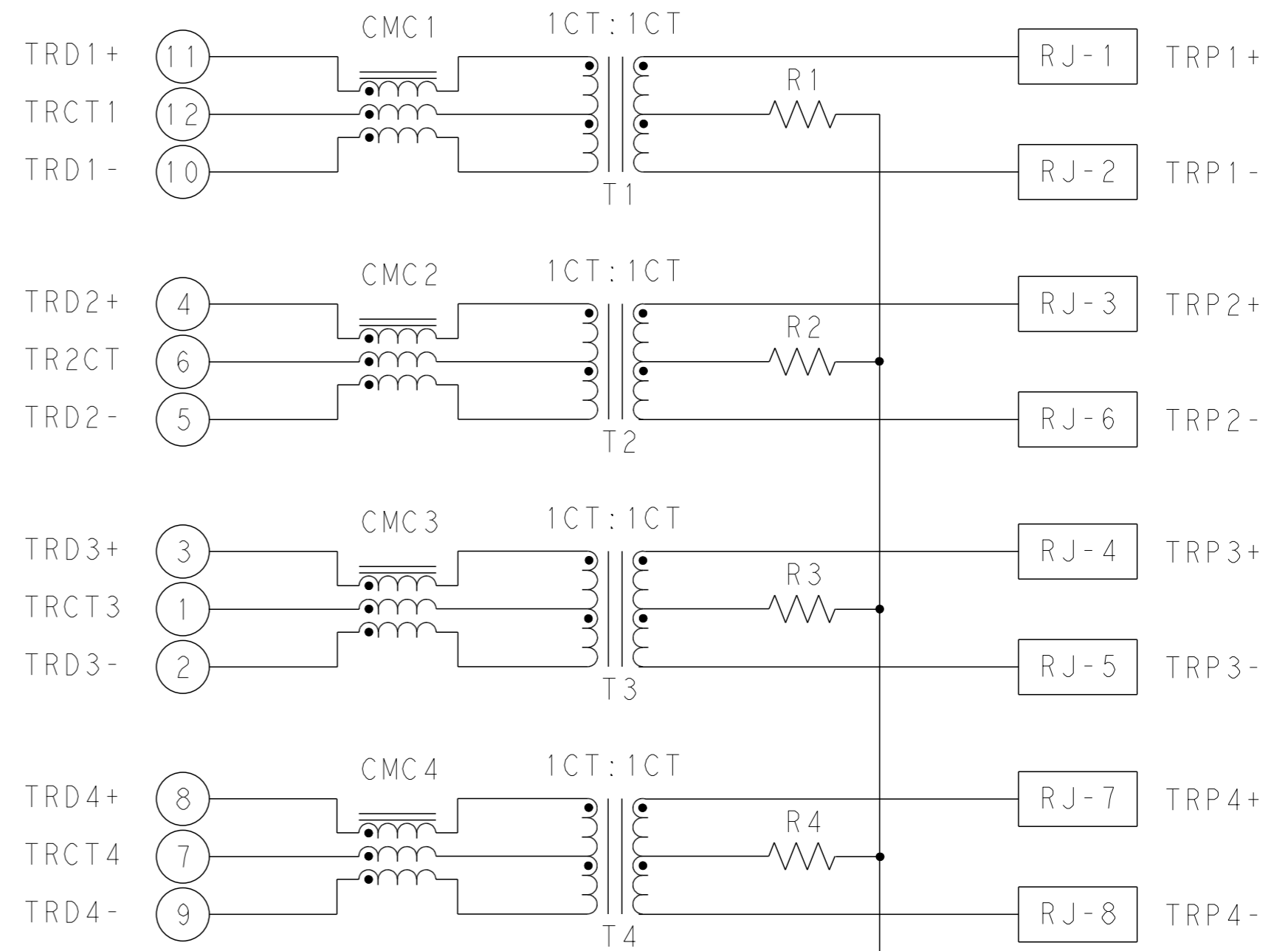
SUGGESTED PCB FOOTPRINT
COMPONENT SIDE
SCALE 2:1



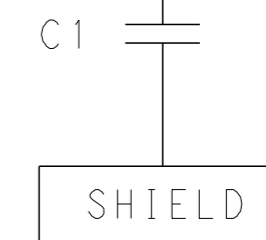
DETAIL M
SCALE 5:1
TYP



7G41 GIGABIT CIRCUIT $\triangle_2 \triangle_3$



C1 = 1000pF, 3KV DECOUPLING CAPACITOR
R1~R4 = 75 OHMS, 1/16 W, 5% RESISTORS



THIS DRAWING IS A CONTROLLED DOCUMENT.		DWN TOWER YU 18NOV2009	 TRP connector Dongguan China
DIMENSIONS: mm		CHK KEITH ZHU 18NOV2009	
TOLERANCES UNLESS OTHERWISE SPECIFIED:		APVD KEITH ZHU 18NOV2009	
0 PLC ±0.25 1 PLC ±0.25 2 PLC ±0.25 3 PLC ±0.25 4 PLC ±0.25 ANGLES ± FINISH ±		PRODUCT SPEC 108-104004	
MATERIAL		APPLIC. SPEC	NAME 1X4 MAG45(TM), 7G41 GIGABIT CIRCUIT, WITH LEDS
		WEIGHT	SIZE A2
		CUSTOMER DRAWING	DRAWING NO C=1840581
		SCALE NTS	RESTRICTED TO
		SHEET 2 OF 2	REV D