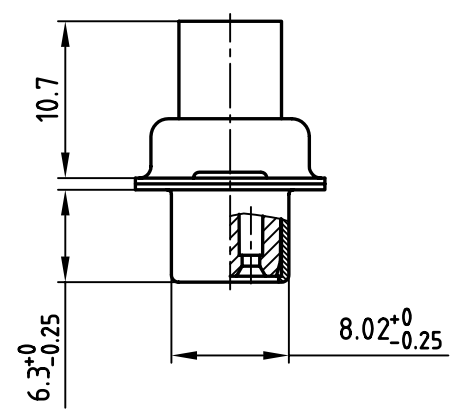
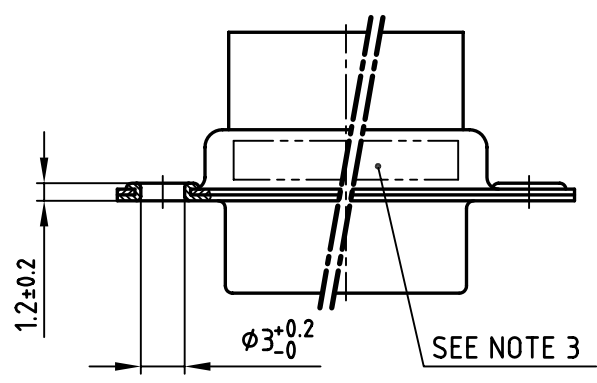
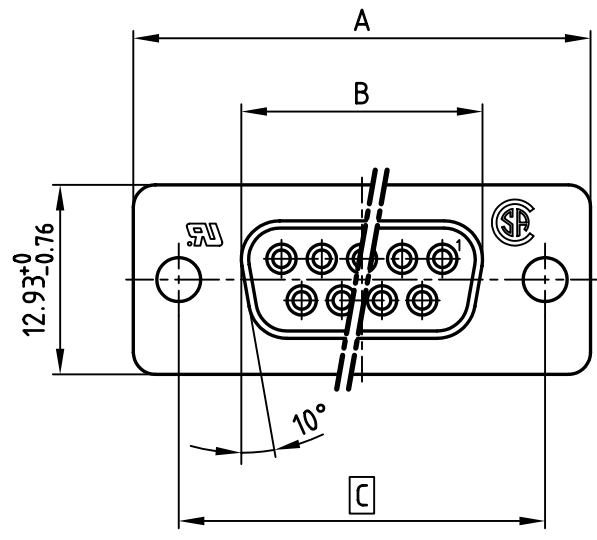


used for: D-SUB



No. of Pos.	A ^{-0.76}	B ^{-0.25}	C	Part-NO.
9	31.19	16.46	25.00 ^{+0.12} / _{-0.13}	164X11769X
15	39.52	24.79	33.30 ^{+0.15} / _{-0.1}	164X11779X
25	53.42	38.50	47.04 ±0.13	164X11789X
37	69.70	54.96	63.50 ±0.13	164X11799X

NOTES:

1. METALSHELLS: STEEL; min. 320µ" TIN
2. INSULATORS: PBT GF UL 94 V-0, BLACK
3. CONNECTOR IS PART MARKED: PART-NO. CONEC Y/WW
4. = CRITICAL DIMENSION: SPC



THIS DRAWING MAY NOT BE COPIED OR REPRODUCED IN ANY WAY, AND MAY NOT BE PASSED ON TO A THIRD PARTY WITHOUT WRITTEN PERMISSION.
 OWNERSHIP AND COPYRIGHT OF CONEC GmbH
 DO NOT ALTER CAD DRAWING BY HAND

tolerance			
2001	date	name	
drawn	11.04.	Parei	
appd.	11.04.	E. Mickenbecker	
norm	DIN 41652		
d-old			
rev.	description	date	name



scale:	2:1	
material:	SEE NOTES	
title:	D-SUB Socket connector CRIMP STYLE 9-37pos.	
dwg no:	AutoCAD 2000	DIN-A
	16K1A177A	4
part no:	SEE TABLE	
		sh: 1/1