

**PLEASE CHECK WWW.MOLEX.COM FOR LATEST PART INFORMATION**

**Part Number:** [11-20-1252](#)  
**Status:** **Active**  
**Description:** IDT - Semi-automatic - Bench-Top Terminator

**Documents:**

[RoHS Certificate of Compliance \(PDF\)](#)

**General**

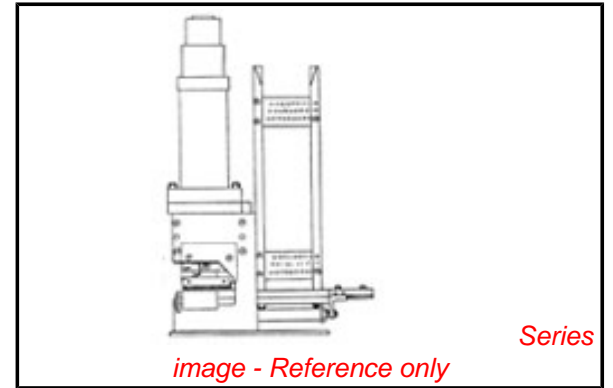
Product Family	Application Tooling
Series	T3012
Comments	Hawk™
Function	Insulation Displacement (IDT)
Geographic Area	Global
Level of Automation	Semi-Automatic
More Detailed Tech Information	<a href="mailto:applicationtooling@molex.com">applicationtooling@molex.com</a>
Product Name	Hawk™
Survey	<a href="http://www.molex.com//review/apptool_survey.html">www.molex.com//review/apptool_survey.html</a>
Tool Type	IDT Bench-Top Terminator
UPC	800754206471

**Material Info**

Old Part Number AM63131

**Reference - Drawing Numbers**

Application Tooling Documents [ATS-011201252](#)



**EU RoHS**

**China RoHS**

**Compliance Status**

**Not Reviewed**

**REACH SVHC**

**Not Reviewed**

**Low-Halogen Status**

**Not Reviewed**

**Need more information on product environmental compliance?**

Email [productcompliance@molex.com](mailto:productcompliance@molex.com)  
 For a multiple part number RoHS Certificate of Compliance, [click here](#)

Please visit the [Contact Us](#) section for any non-product compliance questions.

**Search Parts in this Series**

T3012Series